

\$1.50

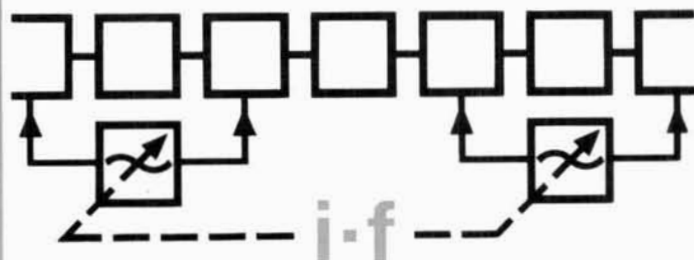
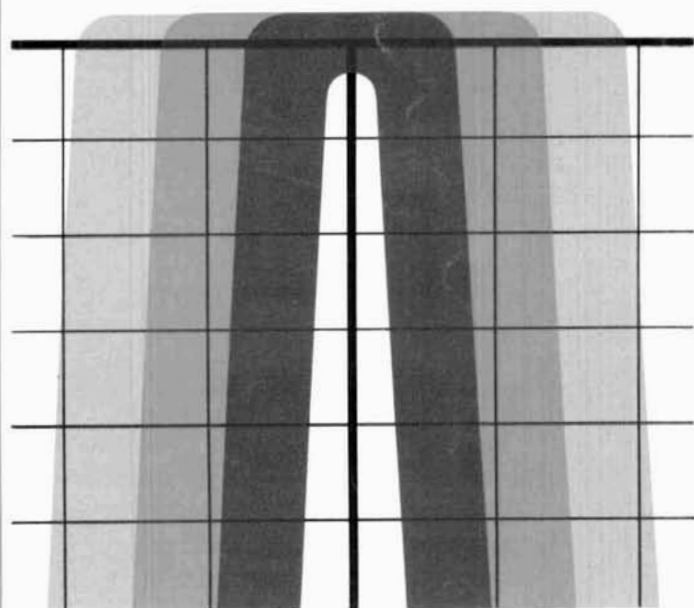
# ham radio

magazine

hr 

**MARCH 1977**

- digital afsk 22
- IMD reduction 26
- polaplexer design 40
- IC voltage regulators 31
- microprocessors 74
- and much more . . .



i-f  
amplifier  
design



## DIGITAL PERFECTION NOW

ICOM recently introduced the revolutionary new **IC-211** 4 MEG All Mode transceiver with dual tracking, optically coupled VFO's: just the first of a great new wave of ICOM LSI synthesized radios. And now the **IC-211** is joined by the amazing **IC-245** mobile transceiver. Together they herald the beginning of the ICOM VFO Revolution.

### ICOM DEVELOPED PHASE LOCKED LOOP CMOS LSI

To facilitate the advancement of the phase locked loop concept which has been nurtured by ICOM's forward looking engineers, ICOM has designed an IC to provide these functions in a single LSI integrated circuit.

The circuitry of this chip contains all of the command registers and up down counters and the divide-by-n counter needed to make the ICOM "digital perfection" a reality.

This chip also contains the phase detector and memory system which provides the dual VFO function. In addition, there are provisions to cause the step rate to increase to 5KHz or 10KHz from 100 Hz and another which causes the reading to "freeze" and not

change with the dial setting. And yet another provides pulses to both sets of counters to allow them to track while staying offset by the set amount.

Also, included is the circuitry which makes the 100 Hz steps possible with a 10 KHz reference. This circuitry is so unique ICOM has a Japanese patent pending.



THE BEGINNING OF THE ICOM VFO REVOLUTION!

The IC-245..... \$499.00  
 The IC-211..... \$749.00

Available at Henry Radio. Please call, write or come in.

# Henry Radio

11240 W. Olympic Blvd., Los Angeles, Calif. 90064 213/477-6701  
 931 N. Euclid, Anaheim, Calif. 92801 714/772-9200  
 Butler, Missouri 64730 816/679-3127

Prices subject to change without notice.

*Lasting quality goes far beyond ad claims and cabinet styling . . .*

## **Before You Buy An Amplifier That Isn't An ALPHA, Read The "Fine Print" And Look "Under The Hood"**

**... THEN COMPARE**



'ALPHA' high frequency linear amplifiers have created a new standard of high power convenience, versatility, and performance since introduction of the first 'ALPHA' at the beginning of this decade.

It's no longer necessary to make a choice between robust power and real convenience - between a truly husky kilowatt and the advantages of a self contained 'desk-top' linear. Every ALPHA, like the original ALPHA SEVENTY, is both a solid powerhouse *and* a convenient, civilized instrument.

Today's ALPHA's are better than ever, the result of more than half-a-decade of continued refinement. Whether you select the extremely practical and value-packed ALPHA 76 for maximum brute power per dollar, the ultra-convenient 'no-tune-up' ALPHA 374, or the 'ULTIMATE LINEAR' ALPHA 77D, it will be designed and built to deliver outstanding performance, unsurpassed quality, and unequalled versatility.

Every ALPHA is professionally engineered and painstakingly built for continuous, heavy duty service . . . to handle its full rated peak *and average* power easily and without any restriction whatever on duty cycle or continuous key-down time . . . and to stay safe and cool while doing it!

Every ALPHA employs top quality transmitting-type components - Eimac ceramic-metal triodes, hefty ceramic bandswitches with big contacts, and heavily silver-plated copper tubing tank coils, for example. That's why at trade shows and conventions you'll nearly always see the ALPHA's displayed with their covers off: the quality and ruggedness that's built in is so obvious that it almost says "POWER!"

Every ALPHA is backed by ETO's famous full-year [limited] warranty, which simply means that if anything goes wrong and it's our fault, we'll fix it at no charge . . . fast and competently.

**CALL OR WRITE ETO FOR SPECS AND "UNDER THE HOOD" DETAILS ON ALPHA LINEARS AND ALPHA/VOMAX — THE NEW 'SPLIT BAND' SPEECH PROCESSOR THAT BEATS RF CLIPPING.**

**ETO** EHRHORN TECHNOLOGICAL OPERATIONS, INC. P.O. BOX 1297 BROOKSVILLE, FLORIDA 33512

(904) 796-1428

# Stay tuned for future programs.



ONLY \$595.00



**NEW LOW  
PRICE  
\$1195.00**

The HAL ST-6000 demodulator/keyer and the DS-3000 and DS-4000 KSR/RO series of communications terminals are designed to give you superlative TTY performance today—and in the future. DS series terminals, for example, are re-programmable, assuring you freedom from obsolescence. Sophisticated systems all, these HAL products are attractively priced—for industry, government and serious amateur radio operators.

The HAL ST-6000 operates at standard shifts of 850, 425, and 170 Hz. The tone keyer is crystal-controlled. Loop supply is internal. Active filters allow flexibility in estab-

lishing different tone pairs. You can select AM or hard-limiting FM modes of operation to accommodate different operating conditions. An internal monitor scope (shown on model above) allows fast, accurate tuning. The ST-6000 has an outstandingly high dynamic range of operation. Data I/O can be RS-232C, MIL-188C or current loop.

The DS-3000 and DS-4000 series of KSR and RO terminals provide silent, reliable, all-electronic TTY transmission and reception, or read-only (RO) operation of different combinations

of codes, including Baudot, ASCII and Morse. The powerful, programmable 8080A microprocessor is included in the circuitry to assure maximum flexibility for your present needs—and for the future. The KSR models offer you full editing capability. The video display is a convenient 16-line format, of 72 characters per line.

These are some of the highlights. The full range of features and specifications for the ST-6000 and the DS series of KSR and RO terminals is covered in comprehensive data sheets available on request. Write for them now—and tune in to the most sophisticated TTY operation you can have today...or in the future.



HAL Communications Corp., Box 365, 807 E. Green Street  
Urbana, Illinois 61801 • Telephone: (217) 367-7373

# ham radio

magazine

MARCH 1977

volume 10, number 3

T. H. Tenney, Jr., W1NLB  
publisher

James R. Fisk, W1HR  
editor-in-chief

**editorial staff**

Charles J. Carroll, W1G00  
Alfred Wilson, W6NIF  
assistant editors

James H. Gray, W2EU0  
Patricia A. Hawes, WA1WPM  
Thomas F. McMullen, Jr., W1SL  
Joseph J. Schroeder, W9JUV  
associate editors

Wayne T. Pierce, K3SUK  
cover

**publishing staff**

Harold P. Kent, WA1WPP  
assistant publisher

Fred D. Moller, Jr., WA1US0  
advertising manager

Cynthia M. Schlosser  
assistant advertising manager

Theresa R. Bourgault  
circulation manager

ham radio magazine is published monthly by  
Communications Technology, Inc.  
Greenville, New Hampshire 03048  
Telephone: 603-878-1441

**subscription rates**

U. S. and Canada: one year, \$10.00  
three years, \$20.00  
Worldwide: one year, \$15.00  
three years, \$35.00

**foreign subscription agents**

Ham Radio Canada  
Box 114, Goderich  
Ontario, Canada, N7A 3Y5

Ham Radio Europe  
Box 444  
194 04 Upplands Vasby, Sweden

Ham Radio France  
20 bis, Avenue des Clarions  
89000 Auxerre, France

Ham Radio Holland  
Postbus 3051  
Delft 2200, Holland

Ham Radio Italy  
STE, Via Maniago 15  
I-20134 Milano, Italy

Ham Radio UK  
Post Office Box 63, Harrow  
Middlesex HA3 6HS, England

Holland Radio, 143 Greenway  
Greenside, Johannesburg  
Republic of South Africa

Copyright 1977 by  
Communications Technology, Inc.  
Title registered at U. S. Patent Office

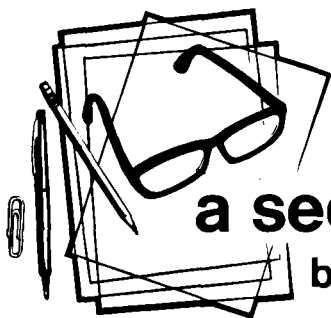
Microfilm copies  
are available from  
University Microfilms  
Ann Arbor, Michigan 48103

Second-class postage  
paid at Greenville, N. H. 03048  
and at additional mailing offices



## contents

- 10 **i-f amplifier design**  
Ulrich L. Rohde, DJ2LR
- 22 **improved digital afsk**  
John L. Alford, WA4VOS
- 26 **reducing intermodulation distortion  
in high-frequency receivers**  
Alex J. Burwasser, WB4ZNV
- 31 **IC voltage regulators**  
Henry D. Olsen, W6GXN
- 40 **microwave polaplexer design**  
George Tillitson, K6MBL
- 44 **24-hour digital clock**  
Kenneth E. Powell, WB6AFT
- 49 **audible S-meter for repeaters**  
Frederick Johnson, ZL2AMJ
- 54 **troubleshooting oscillators**  
Joseph Carr, K4IPV
- 58 **LED function indicator  
for frequency counters**  
Jon W. Springer, K0FOP
- 66 **control function decoder**  
Thomas E. Doyle, WA9FTH
- 68 **synthesized channel scanning**  
Robert D. Shriner, WA0UZO
- 70 **calibrating time-base oscillators**  
John Lapham, WA7LUJ  
Jack D. Barnes, WA7KMR
- 74 **microprocessors: 8080 instructions**  
David G. Larsen, WB4HYJ  
Peter R. Rony  
Jonathan A. Titus
- 4 **a second look**
- 126 **advertisers index**
- 101 **flea market**
- 116 **ham mart**
- 78 **ham notebook**
- 74 **microprocessors**
- 86 **new products**
- 44 **novice reading**
- 6 **presstop**
- 126 **reader service**
- 54 **repair bench**



## a second look

by Jim Fisk

This year marks the 40th anniversary of the invention of the klystron in a basement laboratory at Stanford University in California – an event that marked the beginning of the practical use of microwaves. Feeble amounts of microwave power had been generated in the laboratory in the 1920s, but long-range microwave communications systems and radar required much more. By 1935 radar was already installed on naval vessels, and the Signal Corps was developing the 270 system which detected the Japanese attack force at Pearl Harbor in 1941, but the equipment was range limited and suffered from poor resolution. Microwaves seemed to be the answer, but how to produce them was a question which remained to be answered.

Russell Varian conceived the klystron – the first practical microwave generator. Dr. William Hansen, a physics professor at Stanford who was working on an oscillator for a linear accelerator, calculated the formulas for its design. In August, 1937, Sigurd Varian finished assembling the first tube, and the trio watched in amazement as the very first surge of voltage set it generating waves as short as 10 cm (3000 MHz), one-tenth the length of the shortest radio waves then used outside the laboratory. To demonstrate their success they made a dipole from two short pieces of wire and soldered it to the base of a flashlight bulb – when they held the dipole in the path of the tube's output, the bulb glowed brightly. The first klystron was delivering a watt of power!

This was one of the first cases in the history of technology development where a device based on calculations worked the first time it was turned on. The achievement was widely acclaimed in the scientific press, and broad uses were forecast for its future. The Sperry Gyroscope Company moved quickly to back the development of the klystron for high-resolution radar systems, the Bell Telephone Company saw it as the heart of a transcontinental relay network, and others considered it for coast-to-coast television transmission. The rest is history – a \$100 investment in 1937 spawned a whole new industry which now has sales measured in the billions of dollars.

Before the war, Amateurs gave little thought to the frequencies above 400 MHz because there was nothing in the way of practical equipment available, but when the Amateur microwave bands were made available on November 15th, 1945, it was a different story – military surplus klystrons were inexpensive and many Amateurs had been exposed to the microwave art during the war. Rube Merchant, W2GLF, and Art Harrison, W6BMS, were the first to use the new medium when they put 2K23 klystrons and crystal mixers to work on the 5300-MHz band for communications over a 5-mile path on Long Island. In early May, 1946, W1LZV and W2JN worked over a 2-mile path in New Jersey on 10 GHz, and later that month W1NVL and W9SAD in Schnectady were the first Amateurs on 21 GHz – best DX was 800 feet! It was to be another year before 3300 MHz was opened for the first time, and then only because W6IFE built two complete stations and had W6IZM operate one of them.

In the mid 1950s members of the San Bernadino Microwave Society developed the polaplexer system and proceeded to break most of the microwave distance records. They later phase locked the klystron to a crystal reference to increase range, but little has happened in the past ten years. Some microwave enthusiasts have replaced their bulky vacuum-tube power supplies, modulators, and receivers with solid-state gear, but klystrons still provide the output power when modern solid-state sources could do the same job with a lot less hassle. Although Amateurs in England have been using Gunn diodes on 10 GHz for several years, for some reason the idea has never caught on in America. Device availability is certainly not the problem – Amateurs have shown time and time again that they can obtain hard-to-get components if they really put their minds to it (remember the parametric amplifier, 432-MHz varactor multipliers, and low-noise transistors for 2304 MHz).

I think it's time for Amateur microwavers to take a close look at their klystron systems and consider the solid-state alternatives. Gunn diodes are being manufactured by the thousands for 10.525-GHz speed radar systems so cost is low, and Microwave Associates has recently introduced a 20 mW *Gunnplexer* for transceive operation on the 10-GHz Amateur band (see page 86). In light of WARC 79 we need a good deal more activity on the Amateur microwave bands – perhaps the new *Gunnplexer* will provide the impetus amateurs need to try this part of the spectrum.

Jim Fisk, W1HR  
editor-in-chief

LEADING THE  
NEW WAVE...

# IC-211



## THE NEW ICOM 4 MEG, MULTI-MODE, 2 METER RADIO

ICOM introduces the first of a great new wave of amateur radios, with new styling, new versatility, new integration of functions. You've never before laid eyes on a radio like the **IC-211**, but you'll recognize what you've got when you first turn the single-knob frequency control on this compact new model. The **IC-211** is fully synthesized in 100 Hz or 5 KHz steps, with dual tracking, optically coupled VFO's displayed by seven-segment LED readouts, providing any split. The **IC-211** rolls through 4 megahertz as easily as a breaker through the surf. With its unique ICOM developed LSI synthesizer, the **IC-211** is now the best "do everything" radio for 2 meters, with FM, USB, LSB and CW operation.

The **IC-211** is so new that your local dealer is still playing with his demo. Just hang in there and you can grab this new leader for yourself. ICOM's new wave is rolling in.

**Frequency Coverage:** 144 to 148 Mhz  
**Synthesizer:** LSI based 100 Hz or 5 KHz PLL,  
using advanced techniques  
**Modes:** SSB (A3J), FM (F3), CW (A1)

**Selectivity:** SSB  $\pm 2.4$  KHz or less at -60db  
FM  $\pm 16$  KHz or less at -60db  
**Sensitivity:** SSB 0.25 uv 10db SINAD  
FM 0.4 uv for 20db Q.S.

**Power Supply:** Internal, 117V AC or 13.8V DC  
**Power Output:** 10W PEP (SSB), 10W (CW, FM)  
**Size:** 111mm H x 241mm W x 264mm D  
**Weight:** 6.8 kg

VHF/UHF AMATEUR AND MARINE COMMUNICATION EQUIPMENT

Distributed by:



# ICOM

**ICOM WEST, INC.**  
Suite 3  
13256 Northrup Way  
Bellevue, Wash. 98005  
(206) 747-9020

**ICOM EAST, INC.**  
Suite 307  
3331 Towerwood Drive  
Dallas, Texas 75234  
(214) 620-2780

**ICOM CANADA**  
7087 Victoria Drive  
Vancouver B.C. V5P 3Y9  
Canada  
(604) 321-1833



WARC ADVISORY COMMITTEE FOR AMATEUR RADIO met January 25 and prepared new and strengthened supporting arguments for new HF bands at 10, 18, and 24 MHz. Even though the FCC's Notice of Inquiry had not included those previously-requested bands, the group felt they were important enough that another strong plea was called for.

The Committee Endorsed, for the most part, the remaining Amateur assignments proposed in the Notice of Inquiry. The 15-meter shift down to 20.7 MHz was one notable exception, but this appears to have been worked out with the Maritime group to put the band back where it presently is.

Considerable Discussion took place concerning the microwave assignments, and a strong recommendation emerged urging restoration of 48-50 GHz (or a comparable slot) to the proposed Amateur spectrum.

THE AMATEUR RADIO MANUFACTURER'S ASSOCIATION is the name chosen for a self-governing body of radio equipment manufacturers formed at SAROC this January for the purpose of promoting Amateur Radio, promoting high ethical standards among its membership and throughout the industry, encouraging legislation and rule-making favorable to Amateur Radio, and supporting its members' activities through market research.

ARMA's Formation Came About through a Dentron-sponsored meeting of linear amplifier manufacturers who initially met to discuss the linear amplifier issue. Finding that it had greater potential than the single issue originally addressed, ARMA elected Dennis Had of Dentron as its President and began making plans for meetings with members of Congress, representatives of the FCC, and other government officials.

This Broad-Based Trade Group invites membership applications from manufacturers and importers marketing in the U.S., as well as suppliers, publishers, associations, and others interested in furthering the group's aims.

ARMA's Recent Washington Trip was rated "highly successful" by both the visitors and those they came to see. The group sat down with all three FCC Commissioners they had appointments with and the Commissioners welcomed the ARMA delegation as representatives of the legitimate Amateur industry and expressed concern for that industry, the small businesses involved in it, and — last but not least — for the Amateur fraternity.

Senator Barry Goldwater — K7UGA — spent a good deal of time with the ARMA representatives. The visitors also held highly informative meetings with Ray Spence, Bob Luff, and other key FCC personnel during their two day stay.

"PERSONAL RADIO DIVISION" is the new handle adopted by FCC's Amateur and Citizens Division. The name change is just a name change, though it could eventually reflect future concern with other general public radio such as marine and aircraft.

PERSONAL DELIVERY OF AMATEUR APPLICATIONS to Gettysburg gives the applicant no advantage and can tie up FCC personnel who could otherwise be working on the Amateur license backlog.

Applications For 1X2 Callsigns May Be Submitted before the official acceptance date to insure they'll receive prime consideration. For example, Extras licensed before July 1, 1976 could mail their applications any time after March 15 to be sure they'd reach Gettysburg before the April 1 acceptance.

"INSTANT UPGRADE" will finally become a reality and give the Amateur who successfully passes an exam at an FCC Field Office his new privileges immediately. The temporary authority is to be issued on the spot by the examining Field Office, and will be good for 90 days or until an upgraded license is issued. It will require the user to indicate his "interim" status with a special identifier, added to his call when he's using his newly won privileges, will probably go into effect in the next few months.

ALTHOUGH SETTLEMENT OF THE 900 MHZ VS 220 MHZ issue for Class E Land Mobile (CB) may still be months away, more and more indicators seem to be pointing to 900 MHz. It's also becoming apparent that the FCC may no longer look with favor on the placement of Amateur and CB Personal Radio Services adjacent to one another, wherever the frequency assignments may be located.


OSCAR 6'S TELEMETRY indicates a battery cell has failed, and there's fear other cells may be close to failure after more than three years in space. With rumors going around that LANDSAT (and OSCAR 8) won't be launched until the year's end, OSCAR users must be especially gentle with both the ailing Amateur Radio birds.

VHF/UHF ADVISORY COMMITTEE was established by the ARRL Board of Directors at their January meeting in West Hartford. The new VUAC is to work on spectrum utilization, ATV, Satellite and EME communications, work closely with the VRAC.

First Formal Assignment for the VUAC is a 1215 MHz bandplan.



# ATB-34



**THE COMPLETE 3 BAND ANTENNA**

**BY**



# cushcraft

CORPORATION

**IN STOCK WITH YOUR LOCAL DEALER**

**IN CANADA:**

**SCOTCOMM RADIO LTD. - 4643 Levesque Blvd. - Chomedey, Laval, Quebec**

**WORLDWIDE:**

**MAGNUS - 5715 North Lincoln Ave. - Chicago, Ill., U. S. A. 60659**

**P.O. BOX 4860, MANCHESTER, N. H. 03108**

# ★ SNEAK PREVIEW! ★

OUR NEW EXPANDED SPRING/SUMMER 1977 CATALOG IS JUST OFF THE PRESS! Call or write today for your FREE copy. Meanwhile, here's a quick look at some of the fascinating projects you'll find.

Get in on the Homebrew Revival using the Modular Approach Projects Featured in Ham Radio Articles by WA2GCF

## HAMTRONICS, INC.

### EVER WISH YOUR RECEIVER COULD HEAR THE WEAK ONES?

Almost every amateur and commercial VHF/UHF receiver can be more sensitive with these popular preamps. Over 7000 in use throughout the world.

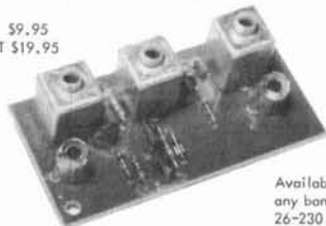
P8 KIT \$7.95  
P16 W/T \$16.95



Available for any band 20-190 MHz

- Easy-to-tune cascode circuit
- 20-30 dB gain; 2.5 dB noise figure
- Fits in transceivers, only 1/2 x 2-3/8"

P9 KIT \$9.95  
P14 W/T \$19.95

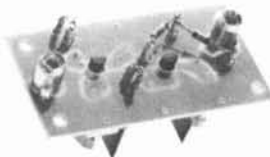


Available for any band 26-230 MHz

- 2-stage common gate fet ckt
- 20-30 dB gain; 2 dB noise figure
- Compact - 1-1/2 x 3"
- Coax connectors & diode protection

P15 KIT \$15.95  
P35 W/T \$34.95

Available for any band 380-520 MHz



- 2 common gate fet's
- 20 dB gain; 4.5 dB noise figure
- Great for atv, sbv, fm

### VHF/UHF FM RCVR KITS

- MORE FOR YOUR MONEY
- COMMERCIAL TYPE DESIGN
- IDEAL FOR REPEATERS, MONITORS, LINKS, OR RACK MTD RECEIVERS
- MAKE YOUR OWN 2M FM TRUNK MOUNTED TRANSCEIVER



#### VHF MODELS FOR ANY BAND 28-240 MHz

R60-( ), 0.5-1uV sens, incl VHF Converter and IF/Audio Boards..... \$64.95  
R69-( ), 0.2-0.4uV sens, incl P9 Preamp, VHF Conv, and IF/Audio Boards..... \$69.95  
R40 10.7 MHz IF/Audio Board alone..... \$39.95



#### UHF MODELS FOR ANY BAND 380-520 MHz

R60-450, 5-10 uV economy rcvr, incl UHF Conv & IF/Audio Boards only..... \$59.95  
R80-450, 2-5 uV sens monitor rcvr, incl UHF Conv, VHF Conv, and IF/Audio Boards..... \$84.95  
R95-450, 0.4-1uV sens rcvr, incl P15 Preamp, UHF Conv, VHF Conv, and IF/Audio Boards..... \$94.95

#### ACCESSORIES

A13-45A Six Channel Adapter..... \$13.95  
AS-10 Scanner Adapter (use w/ any receiver).... \$10.95  
T15 Receiver Alignment Oscillator..... \$15.95  
A40 10.7 MHz Crystal Filter Module..... \$34.95  
CRYSTALS (We stock common freq)..... \$ 5.50

### FM TRANSMITTER KITS

- FOR REPEATERS, LINKS, OR JUST A GREAT SOUNDING PERSONAL RIG
- RATED FOR CONTINUOUS DUTY
- APPLICATION NOTES AVAILABLE
- SEE FEATURE ARTICLE IN AUG '76 HR
- FULLY SHIELDED PROFESSIONAL DESIGN
- INDIVIDUAL VERNIER FREQ CONTROLS
- COMPANION CABINETS AVAILABLE

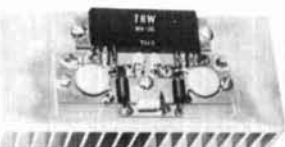


#### 200 MW EXCITER MODULE KITS

T40-11 Eleven Channel Exciter for 2M, 6M, or 220 MHz..... \$39.95  
T40-1 As Above but only One Channel..... \$34.95



T20 Tripler/Driver Module Kit, 150 mW 2M input, 200 mW 450 MHz output..... \$19.95



#### RF POWER AMPLIFIER MODULES

- NO TUNING • VSWR PROTECTED • 150 MW DRIVER

T80-150, 140-175 MHz, 20-25W output, Wired and Tested, simply connect your cables..... \$79.95  
T80-450, 430-470 MHz, 13-15W, W/T..... \$79.95

### TEST PROBE KITS



\$7.95/ea

Contain probe, ground clip, cable, and all components except plug to mate with your test equipment.

- TE-3 RF Detector Probe for VTVM, good from 100 kHz to over 500 MHz
- TE-4 Direct probe for ac/ohms, etc.
- TE-5 DC probe w/res for 11 meg input vtvm
- TE-6 Blocking capacitor probe for counter, sig gen
- TE-7 Wideband Detector probe for scopes

### VHF and UHF Converters

Low Noise FET Front End  
All common i-f's  
Coax Connectors  
Low Power Drain  
Crystals Avail for any Desired Freq Scheme



#### MODEL C25 VHF CONVERTER KIT (shown) \$25.95

- Models for 2M, 6M, 10M, 220 MHz, aircraft, com'l, etc.
- Stable cascode if stage • 0.3-0.5 uV sensitivity • 10-20 dB gain • Compact 2-1/2 x 4-1/2" pcb • Any i-f 10-50 MHz

#### MODEL U20-450 UHF CONVERTER..... \$19.95

- For 432 MHz sbv or atv, 450 MHz fm, aircraft or com'l, etc.
- Economy Converter • Use with P15 Preamp for Optimum

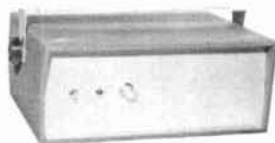
### ANTENNAS

We have in-depth stocks of CUSHCRAFT, LARSEN, and HY-GAIN antennas for IMMEDIATE DELIVERY. Popular items like Ringos, Beams, Magnet Mount Whips, Rubber Duckies, 10-80M Verticals, Tribanders, Doublet Insulators, Baluns, and Lightning Arresters. CALL or WRITE NOW! We'll be glad to advise you or send you FREE catalogs. No Obligation, of course!

#### OTHER ITEMS IN STOCK

Coax Cable - RG-8 Foam & miniature RG-174/u Connectors and Adapters; uhf, bnc, F, etc.  
New Hy-Gain vhf/uhf scanner w/ priority & WX alert Hy-Gain Handheld 2M RIG and HF Transceivers  
P45 VHF Preamp in Die Cast Box w/ BNC's \$44.95  
P13 VHF Multicoupler Kit - Preamp to 2 rcvrs \$12.95  
AS100V vhf/uhf TV Preamp, 115 Vac, W/T \$39.95  
T85 VHF FM Signal Generator Kit \$84.95  
AA-10 2W IC Audio Amplifier Kit \$10.95

### T130 PA/Preamp for 2M HT's



- Uses T80 RF Power Module and P8 Preamp
  - Automatic diode switching
  - Any HT up to 6W output
  - Provides 20W output on xmit
  - 20 dB Preamp on receive
- Wired and Tested only \$129.95  
Also avail less preamp \$109.95  
Receive of amplifier and speaker option..... \$19.95

### Inexpensive DC Power Supplies



A great new line of power supplies to operate 12Vdc gear in the shack or shop! All have low ripple, good regulation, and overload protection. And they are all IN STOCK for IMMEDIATE DELIVERY, and they are all WIRED and TESTED.

MODEL	PRICE	INTERMITTENT	CONT
12CB4	\$29.95	2.5A	1.5A
103R	39.95	4A	2.5A
104R	49.95	6A	4A
108RA	79.95	12A	8A
108RM*	99.95	12A	8A
109R*	149.95	25A	10A

\*Indicates model which has panel meter(s)

### HOW TO ORDER:

- CALL OR WRITE NOW FOR FREE CATALOG OR TO PLACE YOUR ORDER!

- PHONE 716-663-9254 9AM-9PM E.S.T. Use your credit card or C.O.D.
- SAME DAY SERVICE

When ordering, specify operating frequencies and other pertinent information. Add \$1.00 for shipping and handling UPS or PP. Add \$2.00 for air parcel post or blue label UPS. NYS residents, please add sales tax.



**hamtronics, inc.**

182 BELMONT RD., ROCHESTER, NY 14612



# IT'S TIME TO RECONSIDER THE TS-700A

You probably have considered purchasing an all-mode, 2-meter transceiver, but figured that you couldn't afford one. Figure again! Kenwood has lowered the price of the fabulous TS-700A, making it much easier to get on the 2-meter band with a top quality all-mode VHF system. At its new low price, the TS-700A is certainly the "Pacesetter" in both price and performance. And it's ready for immediate delivery . . . in fact, your dealer probably has them in stock right now. There's a lot of excitement on 2 meters . . . not only on FM, but SSB and CW too.

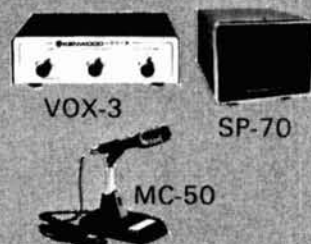
*Check with your nearest authorized Kenwood dealer for the TS-700A's new low price*

- Operates all modes: SSB (upper & lower), FM, AM, and CW
- Completely solid state circuitry provides stable, long lasting, trouble-free operation
- AC and DC capability. Can operate from your car, boat, or as a base station through its built-in power supply
- 4 MHz band coverage (144 to 148 MHz) instead of the usual 2
- Automatically switches transmit frequency 600 KHz for repeater operation. Just dial in

your receive frequency and the radio does the rest . . . Simplex repeater reverse

- Or do the same thing by plugging a single crystal into one of the 11 crystal positions for your favorite channel
- Outstanding frequency stability provided through the use of FET-VFO
- Zero center discriminator meter
- Transmit/Receive capability on 44 channels with 11 crystals
- Complete with microphone and built-in speaker

**These fine accessories are also available for use with your TS-700A.**



**KENWOOD**  
...pacesetter in amateur radio

TRIO-KENWOOD COMMUNICATIONS INC.  
116 EAST ALONDRA/GARDENA, CA 90248

# i-f amplifier design

Further comments  
by a  
recognized authority  
on the optimum design  
of shortwave receivers

Many articles have been published during the past few years on receiver design with emphasis on the front end, but few efforts have been made to exploit the possibilities of good i-f amplifier design. Such design involves several areas: proper i-f selectivity, low distortion, a-m and ssb detectors, agc control, and noise blankers. This article presents some methods of designing these circuits to obtain a high-performance i-f system.

## noise blankers

Very few noise-blanker circuits for multipurpose applications have been published. Probably the best noise blanker ever built is the circuit used in the Collins KWM2; however, since this design is based on tubes, it's no longer considered within the state of the art. While the principle of the Collins noise blanker avoids difficulties of crystal-filter ringing, it does produce some distortion because of the circuit used for gating in the i-f path.

The principle of the Collins noise blanker is based on

the idea that noise pulses originating either from ignition or other man-made noise are of fairly short duration and therefore, have enough energy, even at frequencies above 30 MHz, to produce radio-frequency interference. Collins uses a multistage 40-MHz amplifier that brings the noise pulses up to a suitable level for detection in a peak detector, and the dc-voltage thus derived is used to disable the receiver rf front end and i-f, including the i-f

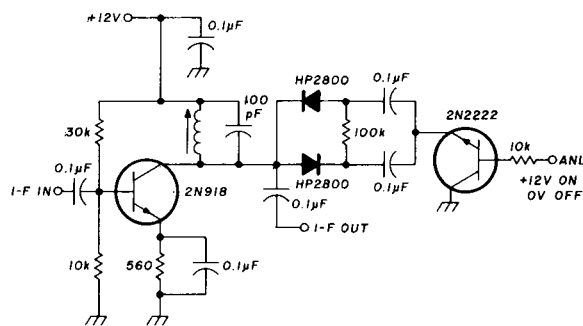


fig. 1. Rf noise limiter with self-adjusting action.

filters, during the detection of the pulses. Since some of the pulses do not have a rectangular response, the gate circuit for switching remains for a few milliseconds in a state between on and off, during which most of the noticeable intermodulation occurs.

Noise blankers in present amateur transceivers measure the noise pulses in the i-f bandwidth, and rf signals, such as CW key clicks, can't be distinguished by

By Ulrich L. Rohde, DJ2LR, 52 Hillcrest Drive, Upper Saddle River, New Jersey 07458



gating. Fig. 4 shows an rf input stage described earlier,<sup>2</sup> which has a suitable push-pull arrangement that accepts these blanking pulses without producing the distortion found in most circuits. A similar gating circuit had been proposed by Swan in their SS200 series; however, since the noise-blanker circuit was extremely critical, it did not operate too successfully.

### input selectivity

For reasons explained in reference 2, selectivity should be used immediately following the first mixer to prevent overload of a possible second mixer and to avoid spurious signals. General-coverage receivers require the first i-f to be higher in frequency than the highest frequency of reception, and i-fs between 30 and 120 MHz have been used. As discussed in reference 2, the selectivity is provided by vhf crystal filters, which have 4-8 poles and are commonly called cross-modulation filters. They are available either in discrete components or as monolithic filters. Probably the most popular is the 75-MHz monolithic filter made by Piezo Technology in Florida.

Because of the losses of this filter, the stage immediately following the filter must have an extremely low noise figure and simultaneously a high intercept point. A good choice for this requirement is the circuit shown in fig. 5, which uses a neutralized field-effect transistor to obtain stability and low noise figure through rf feedback. Such a stage has about 10 dB gain. A second i-f stage with presettable gain can be used ahead of the second mixer. Because of the voltage step-down transformer, overall gain is kept very low; however a large, highly distortion-free agc range is possible.

The main selectivity is always achieved at lower frequencies. While the commonly used frequency for vhf/uhf receivers is 21.4 MHz, most attempts to make

ssb or CW filters at these high frequencies have failed. For CW and ssb, crystal filters are available at frequencies of 10.7 MHz, 9 MHz, 8.8 MHz, 5.5 MHz, and 1.6 MHz, while the intermediate frequencies of 525 kHz, 455 kHz, 200 kHz, and 100 kHz take advantage of available mechanical filters. Some receivers still use LC filters at 50 or 30 kHz, but the shape factors obtainable are not very impressive.

**Variable-bandwidth system.** In military receivers that require a substantial number of bandwidths, seven or more individual filters may be required, which makes the i-f portion both bulky and expensive. To overcome this problem a double mixing scheme, as briefly discussed in reference 2, permits quasi-continuous selection of bandwidths between 75 Hz and 6 kHz at a constant shape factor of 1:1.6, independent of the bandwidth setting. Fig. 6 is a selectivity curve of a filter that provides quasi-continuous selection of i-f bandwidths.

An additional advantage of this system is that ringing from mechanical or crystal filters of very narrow bandwidths is dramatically reduced. The filter is based on a) a dual-mixing system using four mixers and two ganged local oscillators to vary bandwidths, and b) two high-grade 30-kHz lowpass filters to provide the steep slopes. Fig. 7 shows the block diagram of this circuit.

By correct choice of oscillator frequencies and, in one case, the use of sideband inversion, the two sidebands of the incoming i-f signal can be shifted toward or away from the sharp cutoff characteristics of two identical 30-kHz lowpass filters. After the two sharp edges have been imposed on the i-f signal, it is then converted back to the original i-f center frequency, which is 300 kHz. In effect, a variable bandpass filter is synchronized with two fixed lowpass filters. The basic relationship between the oscillator frequency, intermediate frequency, low-pass frequencies, and the bandwidths are:

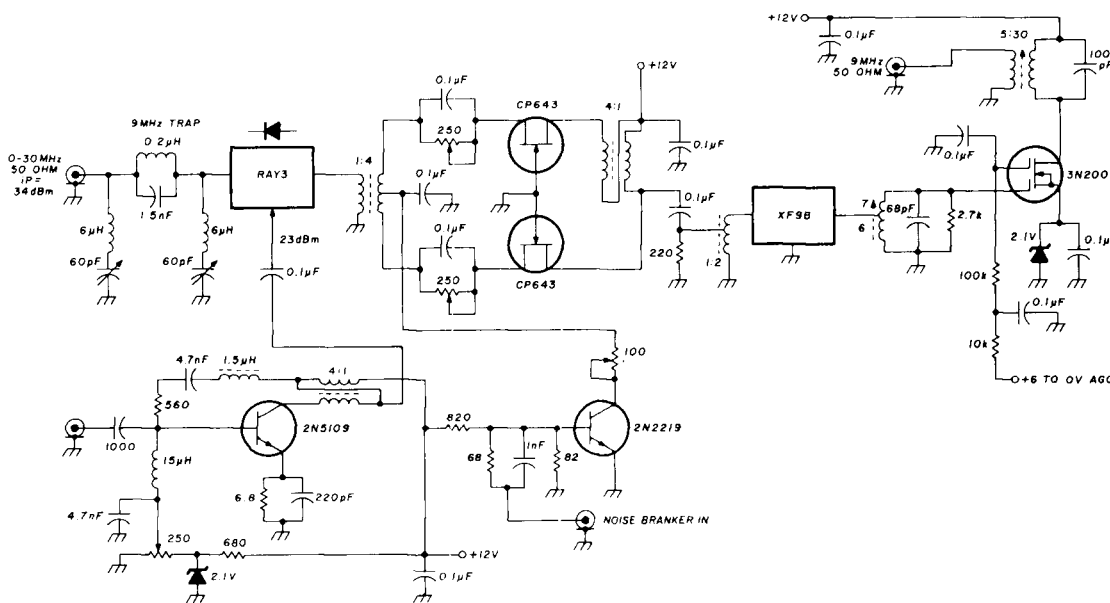


fig. 4. Rf-input stage for a high-performance receiver. Push-pull arrangement accepts blanking pulses without producing the distortion found in most circuits.



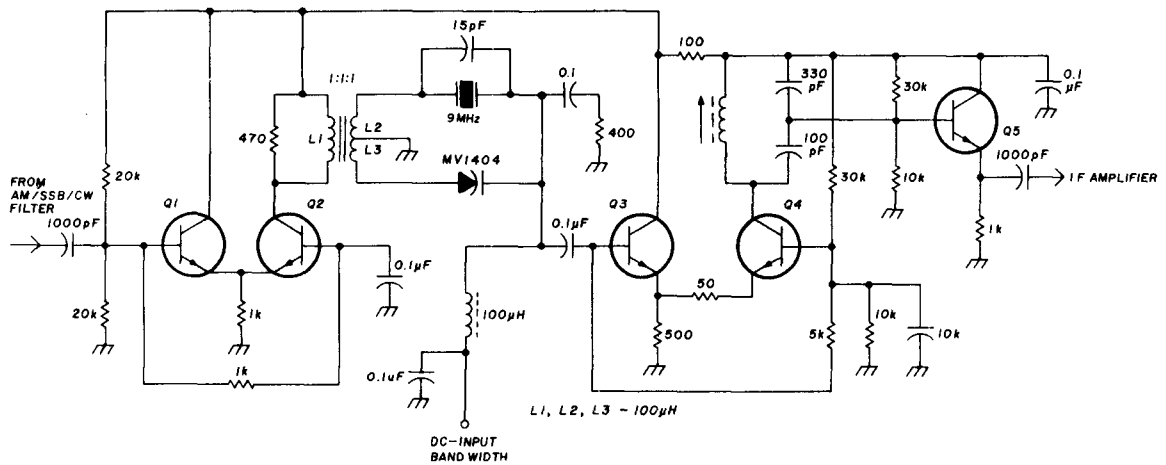


fig. 9. Crystal notch filter for frequencies between 5-20 MHz. A half-lattice network with phasing capacitor forms the basis for this circuit.

size techniques. Because of the frequency differences used in this case, the amount of spurious response is small.

While the Drake receiver has comparatively little shielding, the Signal-1 CX7, with a much more complex local oscillator, avoids some of the spurious response by selecting more suitable auxiliary frequencies. However, the two units should not be compared because the CX7 uses a 42-MHz i-f, which creates other problems.

For CW and ssb reception, notch filters can be a tremendous help. While earlier receivers used notch filters at very low frequencies; e.g., 30 kHz, hardly any receivers at the new standard i-fs between 5 and 20 MHz are equipped with such a device. The solution to this problem is the design of a crystal notch filter.

Fig. 9 shows the circuit of a notch filter that can be added to practically all receivers. In designing the filter it is important to make the 3 dB bandwidth slightly wider than the bandwidth of the preceding ssb filter, since

only the nulling effect (parallel-resonant mode of the crystal filter) is used.

The 3-dB bandwidth is determined primarily by the 470-ohm resistor in parallel with L1. If the resistor is made smaller the bandwidth decreases, and if the resistor is made larger, the bandwidth increases but the notch depth becomes less. For proper termination and loss compensation, the circuit is built around the CA3086 IC, using two differential amplifiers. The series-resonant frequency of the crystal must be at the center frequency of the i-f. The circuit will work well at any i-f between 5 - 20 MHz. It should, however, be pointed out that the half-lattice filter has a very poor slope characteristic and must be used in conjunction with a normal filter for ssb. A separate filter for CW should be used also. The notch depth is about 1 Hz wide. This filter arrangement, which costs less than bandpass tuning, provides added selectivity, which bandpass tuning does not, and is of much greater value.

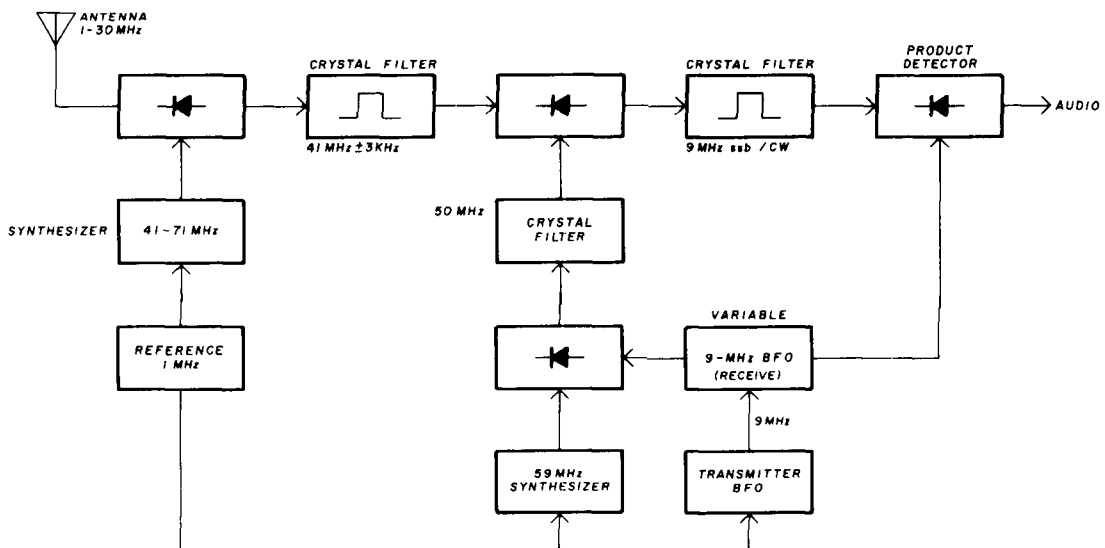


fig. 8. Bandpass-tuning system for a transceiver.



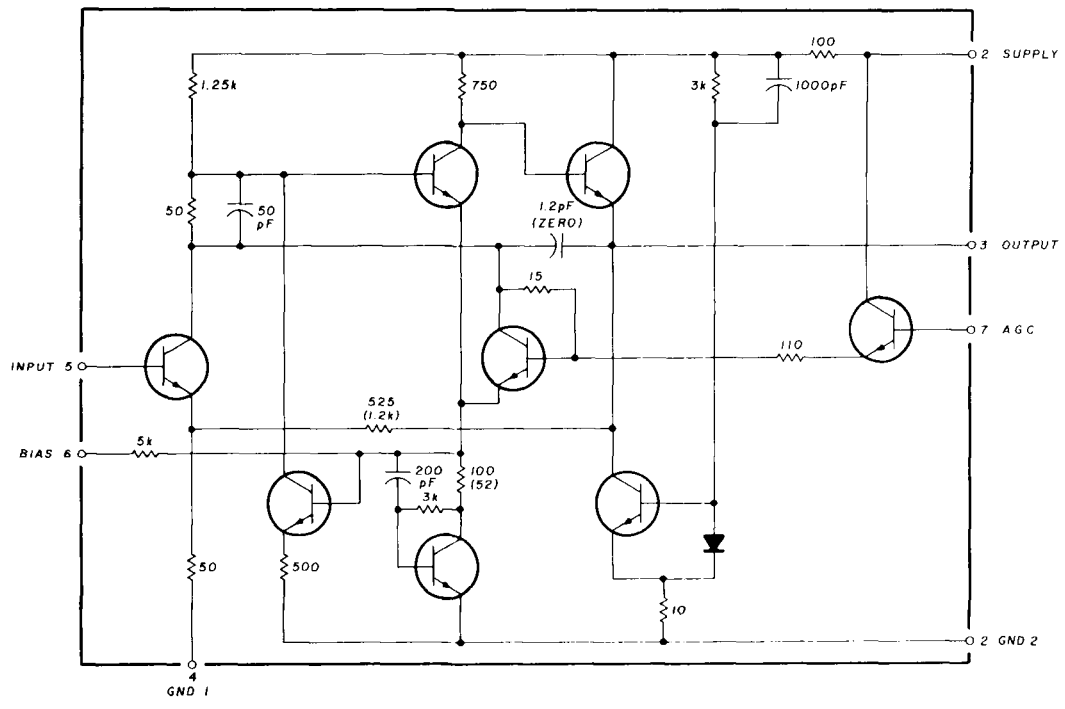


fig. 10. Schematic of the Plessey SL610/11/12 IC. Device is useful for forward agc but requires a high load impedance to avoid distortion.

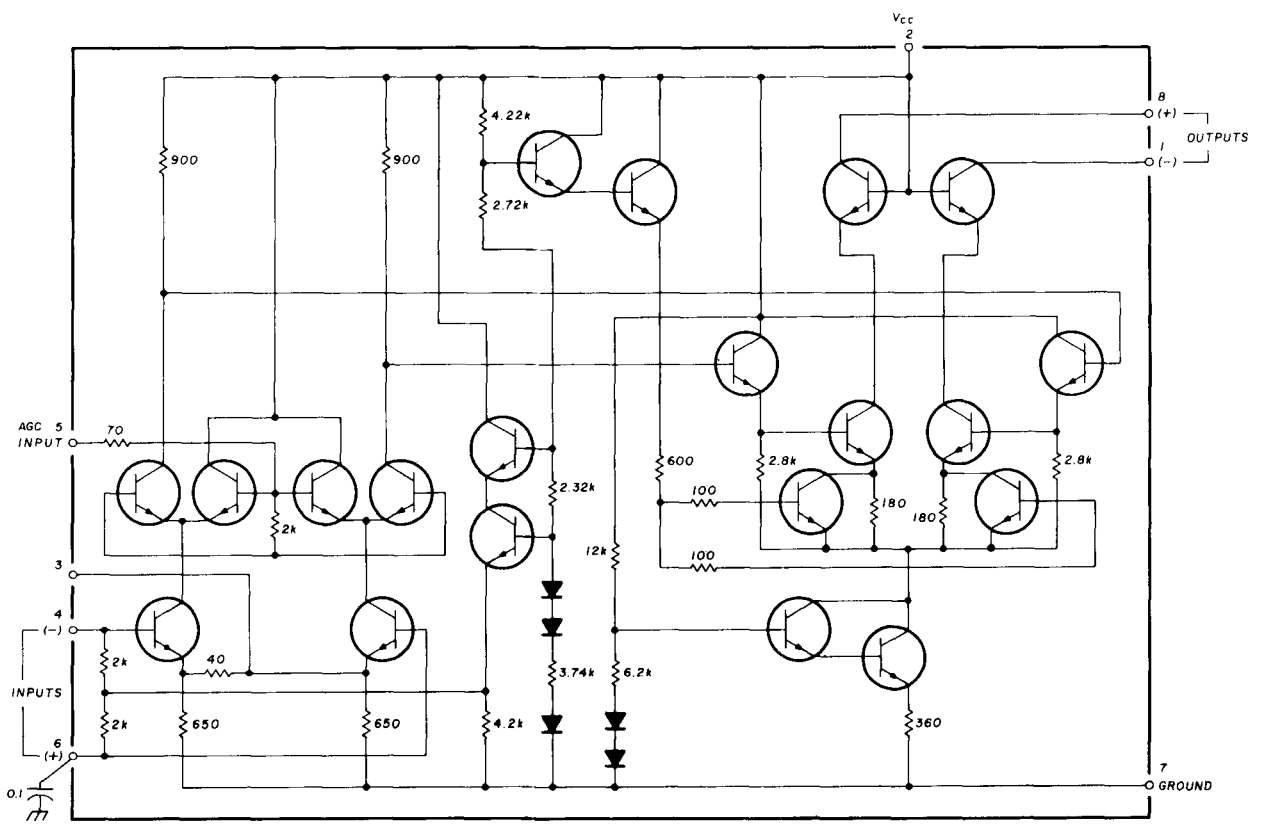


fig. 11. Schematic of the Motorola MC1349 IC. Recommended for optimum i-f circuit design using forward agc.

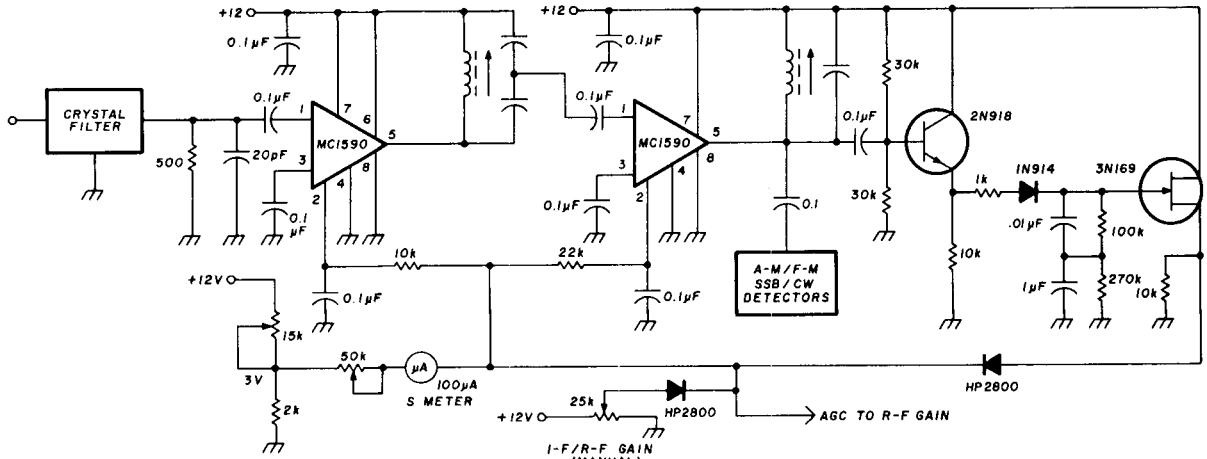


fig. 12. I-f amplifier strip with tuned circuits using Motorola MC1590 ICs. Circuits can be used for any frequency between 0.1-30 MHz.

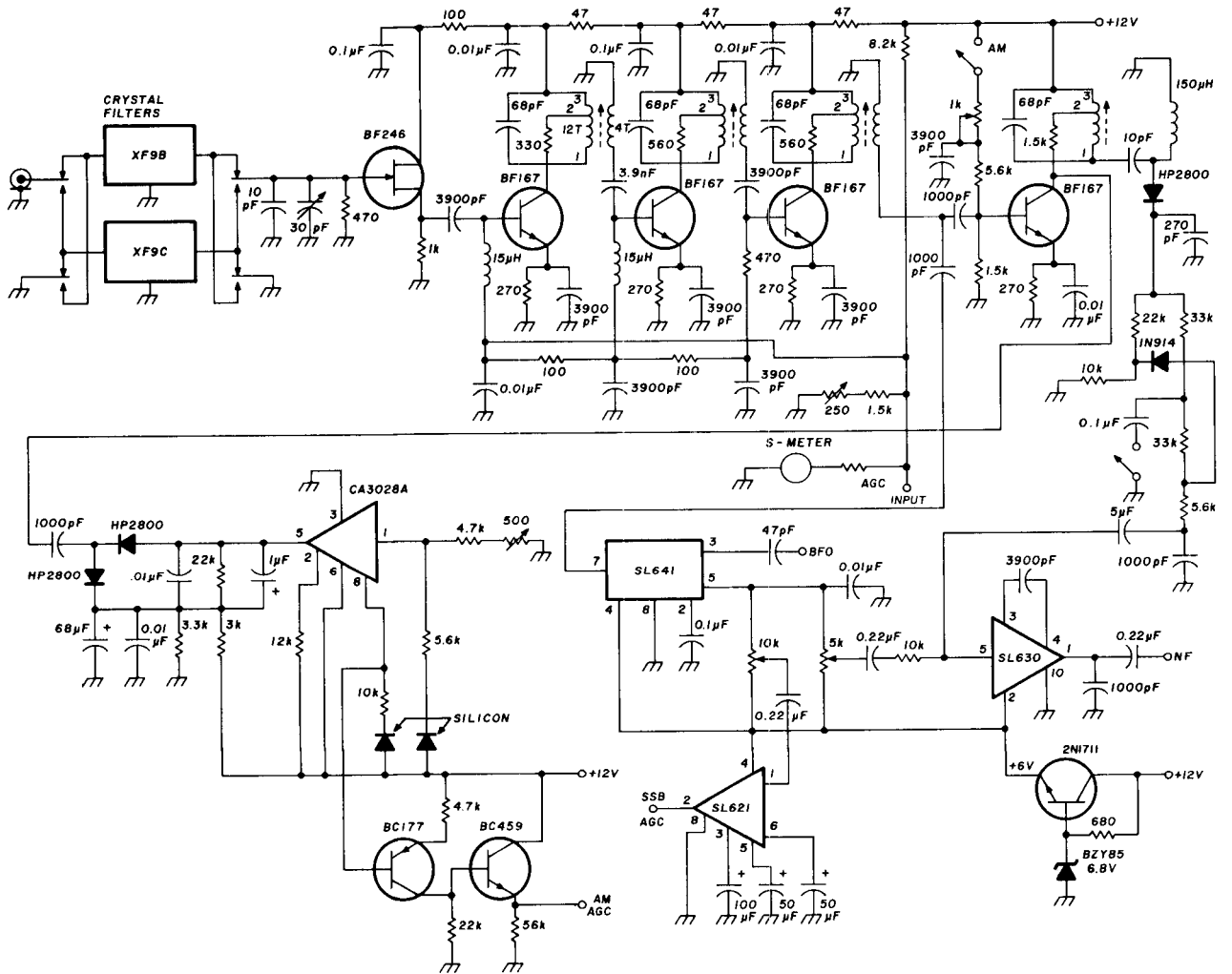
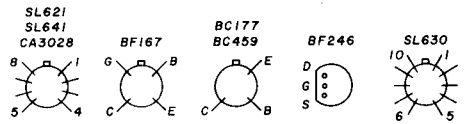


fig. 13. Complete i-f strip for a-m, sss, or CW using discrete transistors. Forward agc is used for an ultralinear S-meter. The agc input is connected to either the sss/CW agc output or the a-m agc output by the mode switch.

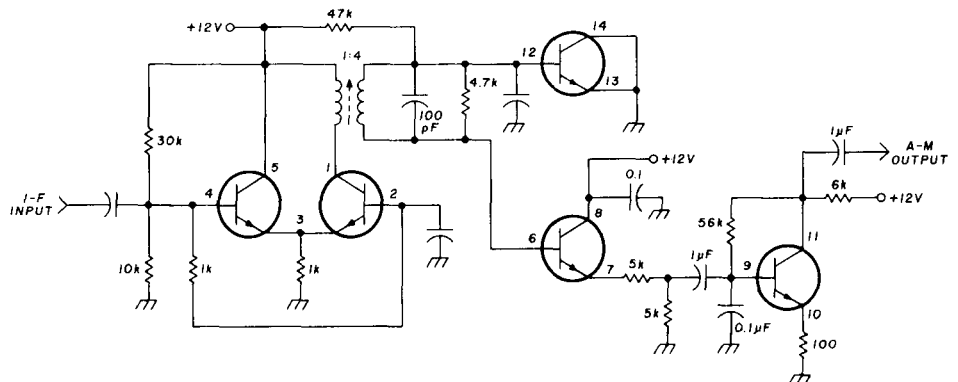


Depending on the application, the i-f stage following the main selectivity circuits can be built in various ways. **General-coverage receivers.** General-coverage receivers differ from amateur-band-only receivers mainly by the requirement for high-performance a-m and fm detectors. Amateur-band-only receivers are tailored more for ssb and CW reception. The otherwise very interesting Plessey SL600-series IC, for example, is not suited for high-performance a-m reception because the wideband noise generated by two or more cascaded SL612s would

A fast attack time is somewhat difficult to obtain because of the limited bandwidth of the agc system. Before going into further details, it is important to take a look at the transistors and integrated circuits available for i-f stages.

In the past, the most common mistake in designing receivers was to use very little i-f gain for obvious reasons. In moderately priced receivers, which do not use extensive shielding, it is not easy to have i-f gain. Transistor circuits in this respect offer a distinct

fig. 14. High-performance a-m detector for higher frequencies. Less than 1% distortion is claimed at 99% modulation.



demand very high selectivity; *i.e.*, an expensive crystal filter. Otherwise, no suitable signal-to-noise ratio is obtainable.

**Amateur receivers.** Amateur receivers in many cases use audio-derived agc to save costs. Audio-derived agc, which is not found in commercial or military receivers, has two significant drawbacks:

1. Inband intermodulation distortion is produced, which cannot be tolerated for many receiver uses.
2. When an a-m station carrier is not modulated, the agc will pump and create heavy distortion.

advantage over vacuum-tube circuits since the former can be designed with low impedances. Also, because the feedback capacitors, which are mostly determined by the circuit layout, are more or less the same, transistor stages permit higher gain. Some receiver designers still use discrete transistors, because they already have them, which tends to complicate the design.

**Forward agc.** Very few transistors are suitable for forward agc characteristics. A better way of doing this is to use differential amplifiers for agc. The RCA CA3028 is a suitable choice.

A somewhat more convenient way is to use ICs

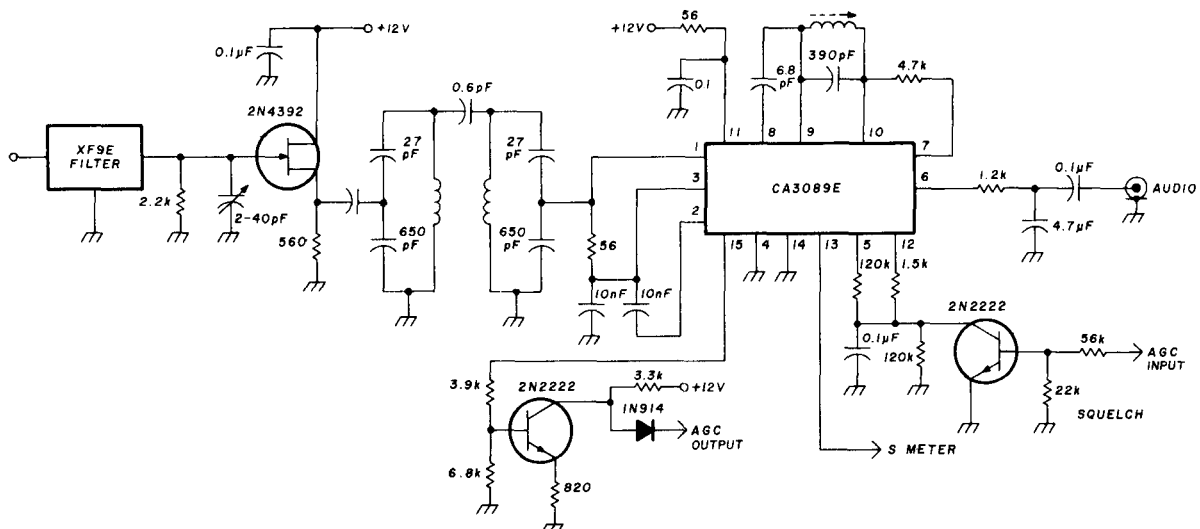


fig. 15. Narrowband fm detector including agc and squelch circuits.

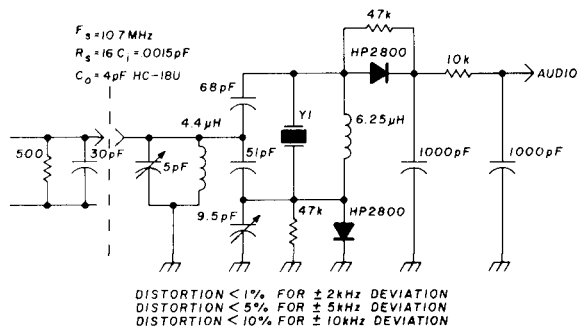


fig. 16. High-performance crystal discriminator. Bandwidth is  $\pm 30$  kHz with less than 10% distortion for  $\pm 10$  kHz deviation. Slew rate is  $-75$  mV per kHz. Crystal Y1 is series resonant at 10.7 MHz.

specifically designed for this purpose, such as the Plessey SL600 series or the Motorola MC1349/50. To understand the inherent advantages of these devices, let's take a look at their schematics. Fig. 10 shows the circuit of the SL610/11/12, and fig. 11 shows the MC1349 IC. The basic differences between them are:

1. The SL610 is a single-ended arrangement, which requires few external components, while the Motorola MC1349/50 series use a push-pull arrangement, which has somewhat wider applications and better dynamic range.
2. Because of the open collector, the MC1349 can be used very conveniently in narrowband applications, *i.e.*, where a-m reception is required, and still can be used with good gain at medium output impedances.
3. The SL600 series requires fairly high load impedances to avoid instability. Cascading more than two of them can become quite exciting!

National Semiconductor offers the 300 series IC for linear operation, but these amplifiers include too many functions and don't leave the designer much choice for optimum circuit design. In my opinion, the MC1349/50-series IC is the best choice, unless the full military temperature range is required or steady levels are available. In this case, the SL600 series ICs are favored.

Fig. 12 shows a typical multipurpose i-f amplifier operating around 9 MHz, using two of the Motorola ICs with suitable agc distribution and output selectivity. If only ssb operation is desired, the tuned circuit can be replaced by 1k resistors.

Fig. 13 shows a somewhat less expensive i-f amplifier with low-cost discrete transistors as used in some European TV receivers. Forward agc is used.

## demodulators

General-coverage receivers require a-m, ssb/CW and also fm detectors. The fm detector is required because 29.7 - 30 MHz is a popular NATO frequency range where portable fm units are being used.

**A-m detectors.** Although the a-m detector may not be all that important for most amateur purposes, I believe

everyone should have a general-coverage receiver for a-m reception of foreign news services, which can be most interesting. If this is done with the usual ssb detector, the long-term stability requirements of the local oscillator and bfo are fairly high, because the carrier will otherwise introduce distortion.

High-quality a-m detection is very expensive because the rf level must be several times the diode threshold voltage to avoid distortion. On the other hand, this means that the i-f gain must be so high that a certain minimum amount of shielding, even with low-impedance, wideband circuits, becomes vital. At lower frequencies (either the 20 - 30 kHz range or the 100 - 500 kHz range) this is quite easily accomplished, because the amount of feedback is negligible. At higher frequencies, because of instability problems, special circuits should be used, which on the one hand accept very little rf drive and on the other exhibit extremely low distortion.

Probably the best circuit for this requirement is shown in fig. 14. This detector is basically an emitter follower with extremely little forward bias, which barely compensates the threshold voltage of the transistor. Because of temperature drift, a temperature-compensating diode is required. Although it has no gain, this circuit exhibits less than 1 per cent distortion even up to 99 per cent modulation, and is commonly called a class-D detector.

**Ssb and CW detectors,** often called product detectors, are mixers in which the suppressed carrier is reinserted. This carrier is very close, if not equal to, the i-f center frequency, which can create a problem. If the rf feedback in the i-f system is too high, radiation into the first i-f stage can cause instability and inband distortion. The best way of determining whether this problem occurs is to check the product-detector stage dc levels to ascertain whether any dc voltage offsets occur. Many good circuits

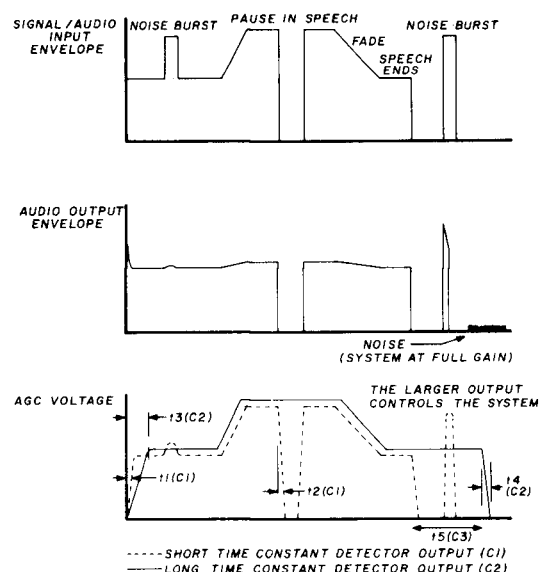


fig. 17. Agc characteristic and pulse performance of the Plessey SL621 agc generator.

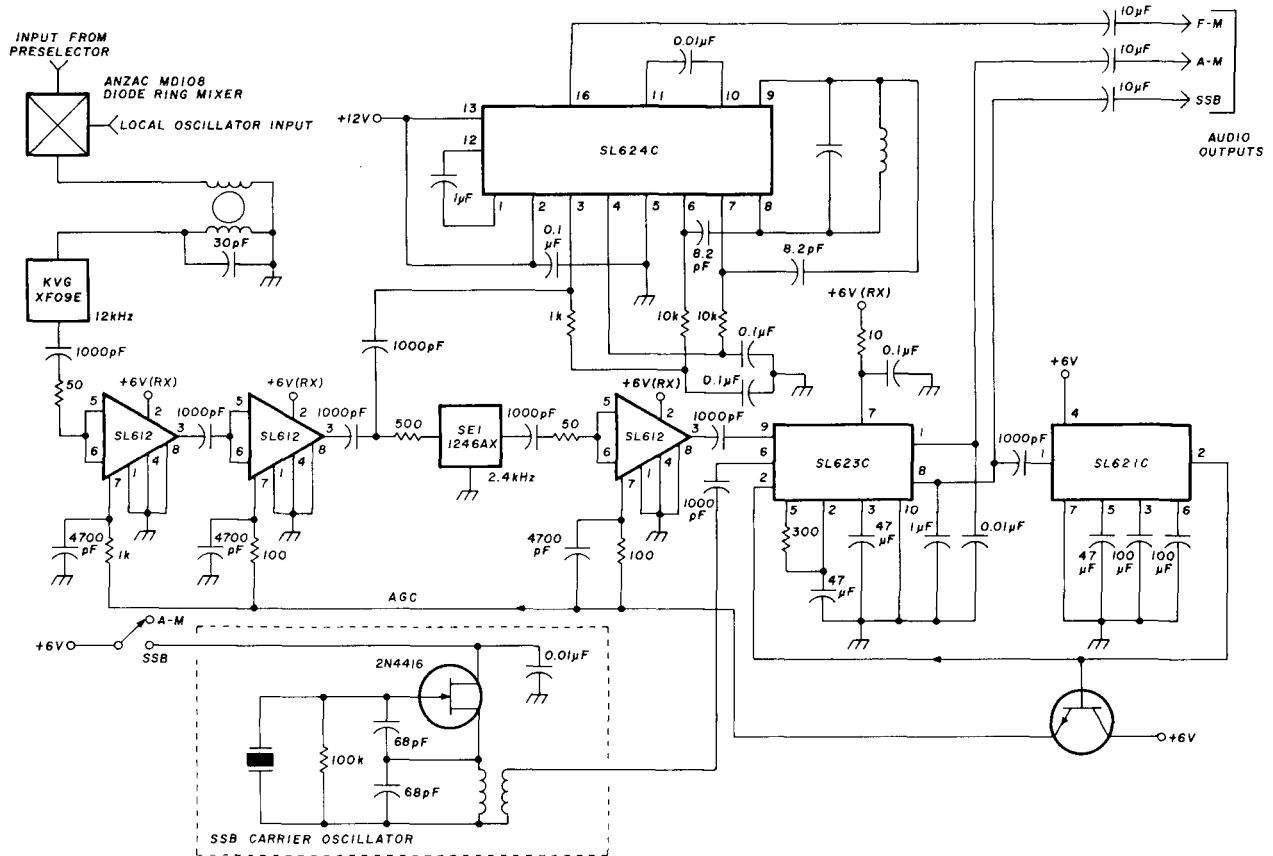


fig. 18. I-f arrangement using the Plessey SL600-series ICs.

are available for use as product detectors; often fancy names are used for these mixers.

The product detector is essentially a high-level mixer in which rf signals of 5 mV and higher are converted into audio signals. Lower values of rf are not recommended, because the signal-to-noise ratio then becomes problematic. Despite comments made by various authors, it is not necessary to use a four-diode ring modulator, which requires fairly high bfo signals. A popular solution is to use dual-gate mosfets or the Motorola MC1496 integrated-circuit mixer.

The dual-gate mosfet, because it is not a balanced or double-balanced switch, has no noise sideband cancellation and still requires fairly high bfo signals, while the MC1496, to operate successfully, requires an unjustified amount of external circuitry.

In my opinion, the only good choice is either the Plessey SL640 or SL641, which require few external components. Fifty mV of local-oscillator drive is sufficient for low-distortion detection, and the intermodulation distortion figures are extremely low. Detailed information on the Plessey ICs and their application are found in reference 4.

**Fm detectors.** Very few good fm detectors with little compromise are available. However, the RCA CA3089E is a unique device. It is ideally suited for amateur purposes because it offers not only excellent fm detection, high audio output, and squelch operation, but

also offers a field-strength indication. The CA3089E can be used for narrowband as well as wideband fm with very low distortion, and it has been used very often. Fig. 15 shows a recommended circuit using this IC for narrowband fm detection.

**Crystal discriminators.** In general it is not so easy to design low-distortion crystal discriminators, and most of the application data is not complete. Fig. 16 shows a proven circuit that has  $\pm 30$  kHz bandwidth. The output is  $-75$  mV/kHz and distortion is less than 10 per cent for  $\pm 10$  kHz deviation. The crystal parameters are significant in this particular circuit, which should be terminated with a load greater than 100k.

Depending on the i-f, the crystal series-resonant frequency may vary; however, the following dynamic values should be obtained:

$$\text{Series resistor, } R_s = 16 \text{ ohms}$$

$$\text{Series capacitance, } C_s = 0.015 \text{ pF}$$

$$\text{Crystal capacitance, } C_o = 4 \text{ pF}$$

The drive impedance should be 500 ohms with 30 pF in parallel.

### agc stages

Very often amateur receivers use audio-derived agc. I am not very much in favor of this method because of heavy agc pumping on a-m signals. However, it is a

convenient way of deriving agc. The overall i-f gain doesn't have to be very high, since about 14 mV of rf energy will be converted into audio voltage by the product detector, which can be used to derive the agc

system known as hang agc. In this system the agc values change for a given amount of time to compensate for noise bursts; thus short pauses in the signal are smoothed out. Once transmission of the signal ceases, the receiver

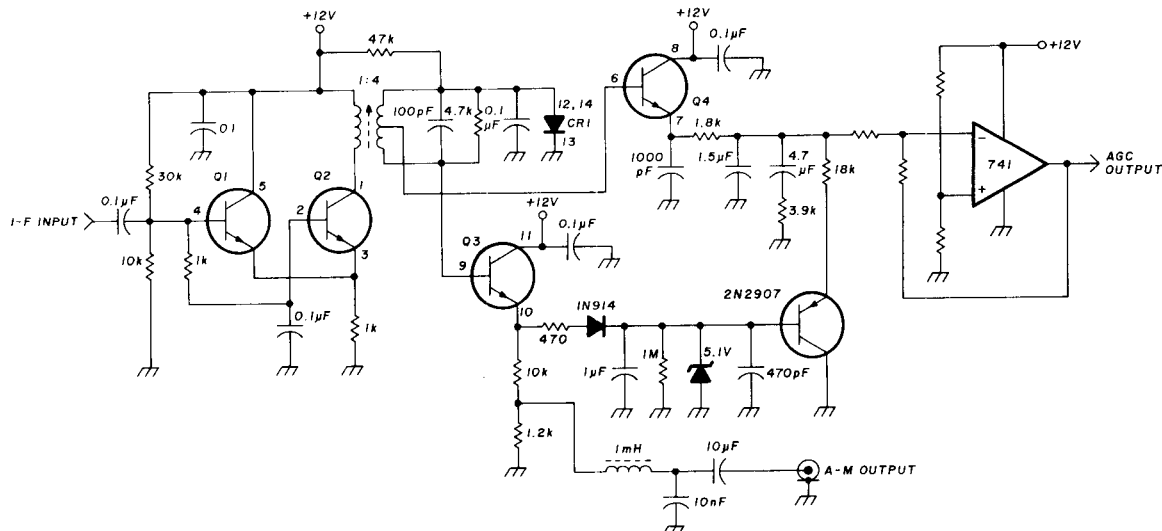


fig. 20. Rf-derived agc system for a high-performance, general-coverage receiver. Transistors Q1, Q2, Q3, Q4 are in the RCA CA3086 IC.

voltage. Regardless of how the agc voltage is derived, the time constants must be considered carefully.

For ssb and CW reception a fairly fast attack time (of the order of 2 ms) is desirable. A faster attack time has the disadvantage that the peak value of all noise pulses is rectified, thus blocking the receiver. A long attack time; i.e., 20 ms and higher, results in unpleasant noise bursts, and some time is required before agc overshoot settles. **Hang agc.** In earlier receiver designs agc decay time depended on the discharge of a capacitor, so that a long recovery time was required for the receiver to regain its sensitivity and selectivity. Modern circuits now use a

agc voltage decreases very rapidly; therefore the receiver regains its full sensitivity and selectivity within a very short time.

A novel approach to the hang agc circuit was made by Plessey in their SL621 agc generator, although this circuit uses audio-derived agc. Fig. 17 shows the response of this detector; the schematic is shown in fig. 18. The circuit consists of an audio amplifier and two peak detectors with two different time constants which, within certain limits, permit you to select the desired attack, hold, and decay time.

Unfortunately, in this particular circuit it is not

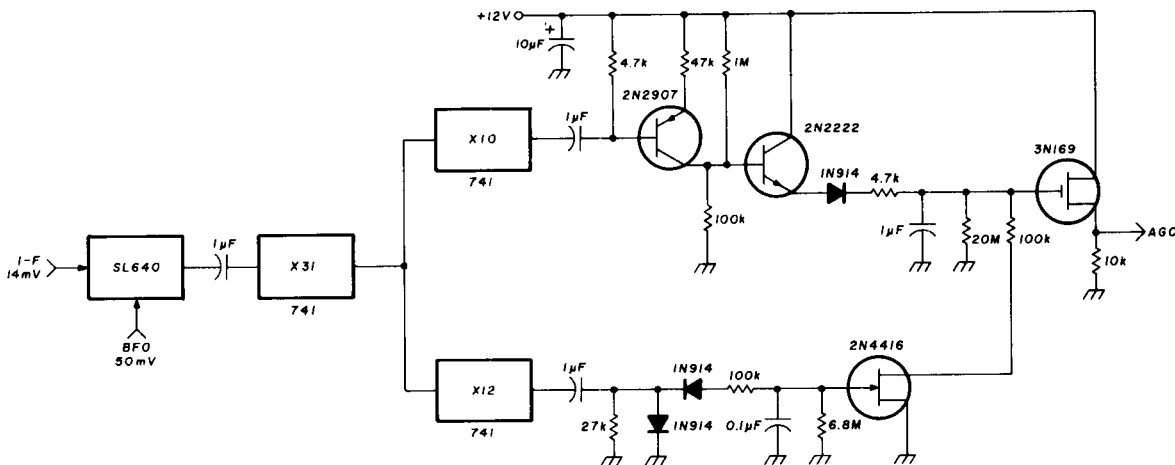


fig. 19. Audio-derived, dual-time-constant agc system/i-f amplifier in which attack, hold, and decay time can be set independently.

possible to reduce the attack time below 20 ms. Therefore a similar circuit was developed where all three time constants could be chosen independently. Credit for this circuit should be given to Wes Hayward,<sup>5</sup> although he uses split operation whereby part of the agc voltage is derived from the i-f signal and part from the af signal. The circuit shown in fig. 19 is fully audio-derived and is suggested for those who are interested only in a simple ssb/CW receiver.

The emitter-follower is responsible for the fast attack time. The high impedance input of the fet, together with the 1- $\mu$ F capacitor and 10-megohm time constant, gives a 10-second maximum hold time. However, the actual hold time is determined by the auxiliary pnp circuit, which is activated after the signal disappears and which determines the actual hold and decay time.

### agc for a-m

For a-m detection, a dc voltage is available from the class-D detector described earlier. With the aid of operational amplifiers it can be brought to the required level and polarity. A suitable general-purpose agc detector for a-m and ssb/CW is shown in fig. 20 using the same principle.

Fm receivers do not need agc, although to avoid severe saturation of the i-f amplifier, which results in nonlinear phase shifts that unfortunately then become

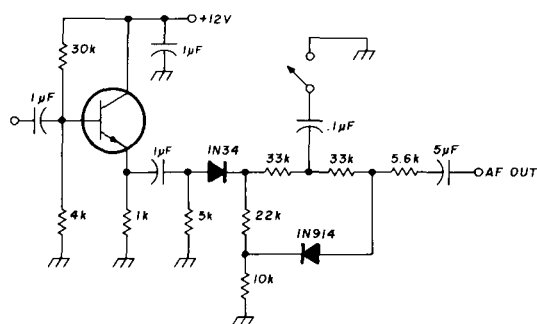


fig. 21. Audio noise limiter with low distortion.

an fm-detectable signal, a certain amount of agc can be derived from the fm detector described earlier.

### audio stages

Although not considered as part of the receiver i-f system, the audio stages deserve some mention when considering overall receiver design. Described below are two methods of enhancing receiver performance in terms of noise limiting and selectivity in the audio section.

**Noise limiter.** Noise pulses measured immediately after the first mixer can be as high as 100 times the level of the desired signal. The crystal filter reduces the amplitude of these pulses but introduces a delay, which causes ringing, or overshoot. Audio noise limiters, in my opinion, are generally worthless. However, there is one circuit that is fairly efficient. Fig. 21 shows the circuit,

which I have not yet seen in the American literature. Its basic principle is similar to that of the delay line. The voltage developed across the voltage divider at the germanium-diode output is instantaneous, while the dc

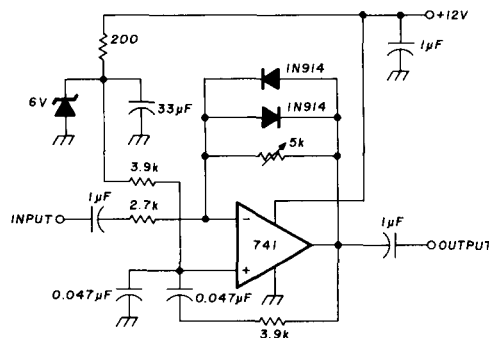


fig. 22. Bandpass-type active filter with 800-Hz center frequency. Circuit features adjustable bandwidth and noise-limiting capability.

voltage at the output of the circuit is delayed. If no pulses are present, and the 0.1- $\mu$ F capacitor is not at ground potential, the silicon diode will have a floating voltage potential and will not be activated. Heavy positive pulses will charge the 0.1  $\mu$ F capacitor and the silicon diode will short circuit the audio voltage. Negative pulses will disable the germanium diode directly. Therefore, a noise blanker at audio level in both directions is obtained.

**Audio selectivity.** Additional selectivity can be obtained with suitable audio stages. A common way of doing this is to use active filters. Either lowpass or bandpass arrangements can be used. It is very important to use a design in which the three parameters can be chosen independently: gain, bandwidth, and operating frequency. When not properly designed, these circuits act like a Q multiplier, which has a sharp, needle-like frequency response and little skirt selectivity.

One way out is to cascade some lowpass filters; however, the signal-to-noise ratio can be degraded. Fig. 21 shows an active bandpass filter I've used in the past. It is very well suited for CW reception, and the two back-to-back diodes act as a very convenient noise limiter.

### references

1. *The Radio Amateurs Handbook*, ARRL, Newington, Connecticut, 1975, page 253.
2. Ulrich L. Rohde, DJ2LR, "Optimum Design for High-Frequency Communications Receivers," *ham radio*, October, 1976, page 10.
3. Ulrich L. Rohde, DJ2LR, "Modern Design of Frequency Synthesizers," *ham radio*, July, 1976, page 11.
4. *Plessey Application Book, Second Edition*, Plessey Semiconductor Products, 1674 McGraw Avenue, Santa Ana, California, 1975.
5. Wes Hayward, W7ZO1, "A Competitive Grade CW Receiver," *QST*, March, 1974, page 16.

ham radio

# improved digital afsk

An answer to  
the need for  
high-quality  
peripheral equipment  
in amateur RTTY and  
remote computer  
applications

For many years the biggest problem for RTTY enthusiasts has been in mating teleprinter units to amateur equipment. As far as the receiving converter or TU is concerned, much effort has been expended to maximize performance, since the result of such effort is obvious. The transmitting converter, or afsk, however, has been generally neglected. Few really new designs have been developed since the inception of RTTY in the 1940s, and practically all have suffered from shift clicks, shift bounce, slow shift, instability, loop noise, and voltage sensitivity. Anyone who has built and attempted to use a phase-shift type afsk<sup>1</sup> is well aware of these problems. Some attempts have been made to incorporate digital innovations,<sup>2,3,4,5</sup> but these still had some drawbacks. Invariably, parts count and current drain were high, multiple power supplies were needed, portions of the design were redundant, and others neglected or omitted. The design presented here is an attempt to correct these shortcomings.

This article offers improved quality in RTTY hardware for amateur use. Also, with the expansion in data communication and computer experimentation, much need exists for high-quality interface equipment. The circuit described here is also designed to accommodate tone frequencies used in remote computer applications.

## objectives

The design criteria to be met by this circuit are:

1. Minimize the number of special or critical components.
2. Maximize stability and eliminate the need for sophisticated equipment for setup and test.

3. Minimize distortion and switching transients.
4. Incorporate a keyboard debounce circuit to reduce mechanically induced noise.
5. Produce sine-wave output at moderately low impedance and at reasonably high level.
6. Operate from a single unregulated power supply at low current.
7. Obtain complete electrical isolation of afsk from the loop to minimize ground-path noise coupling.
8. Minimize adjustments for balance and level.
9. Make loop connections polarity insensitive.

To see how these objectives have been met, and to understand the operation of the circuit, refer to **fig. 1** while following the technical description.

## technical description

U1C and U1D are two independent continuous-duty, Pierce-type, crystal oscillators running at 2048 (or 4096 for 1070-1270-Hz data shift) times the desired mark and space frequencies respectively. R1 and R2 set the dc bias on the gates. The unused inputs are tied to  $V_{cc}/V_{dd}$  through R3 and R4 to ensure logic 1 on the inputs. C1 and C2 ensure reliable oscillator start up. The outputs of these oscillators are buffered by U1A and U1B and are fed to the selector gate, U2. Both oscillators run continuously to eliminate startup delay. The U2A output is either the mark or space harmonic as determined by the state of U3. If U3, pin 3, is high (loop closed, loop current flowing) then U2C is enabled, gating the mark tone harmonic. If the loop opens, U3, pin 3, will be low, enabling the space harmonic through U2D. (The action of U3 will be described later). A maximum of one cycle of distortion is introduced by this switching action, but this distortion appears at 2048 (or 4096 for 1070-1270-Hz data shift) times the mark or space frequency, and thus only contributes about 0.05 per cent maximum distortion to the output tone shift.

U2A output is fed through an eleven- or twelve-stage ripple counter, U4, whose output is a symmetrical square wave at the desired mark or space frequency. A CD4020 14-stage divider is used, but the Q10 or Q11 output is used to allow oscillator operation near the frequency of maximum stability. The divider output is fed through a single second-order active bandpass filter, U5, whose Q is set at about ten, gain at about 0.2, and center frequency between the desired mark and space

By John L. Alford, WA4VOS, 10000 Midlothian Turnpike-11, Richmond, Virginia 23235



table 1. Changes required to the schematic for operating frequencies other than standard mark and space:

jumper	afsk use	Y1 (MHz)	Y2 (MHz)	R5 (ohms)	R6 (ohms)	R7 (ohms)	mark (Hz)	space (Hz)
15-A	RTTY	4.352	4.780	270k	120k	1k	2125	2295
15-A	ASCII comp	4.557	4.147	270k	120k	1k	2225	2025
1-A	ASCII term	5.202	4.383	6.8k	27k	250	1270	1070

all resistors 1/4 watt 10% nominal.

bandpass amplifier formulas:

select C3 and C4 to be 0.01 μF, then

$$R7 = \frac{Q}{f_0 C3}$$

$$R5 = \frac{R6}{2A}$$

$$R6 = \frac{R5R7}{4Q^2R5 - R7}$$

where Q = 10, A = desired gain, and f<sub>0</sub> = desired center frequency. The value of R6 should be chosen to allow variation over the desired range; e.g., if R6 is calculated at, say, 300 ohms for a given center frequency, then a 500-ohm pot should be used.

frequencies. R6 is adjusted to slew the filter center frequency, thus balancing the audio level of the mark and space tones. R10 is the audio output level adjustment. C3 and C4 are the only critical components in the system and should be stable with respect to temperature over the range anticipated in use. Mylar or polystyrene types are suggested, but disc ceramics may be used if environmental conditions are stable.

Note that U5 is operated single ended; that is, with only one power-supply polarity. This is accomplished by biasing the noninverting input at 0.5 V<sub>cc</sub>/V<sub>dd</sub> with the

network composed of R8, R9 and C6. C6 ensures a noise-free reference point. Because of the low-gain, moderate-Q characteristics incorporated in the filter, ringing is minimized and distortion to the switching rate is undetectable with the TU used for measurements.

Because of the imperfection of many surplus keyboards, debounce was incorporated in U3. Optical isolation with bridge input of the loop to the afsk was also incorporated to eliminate noise coupling and polarity sensitivity.

The operation of U3 and its components is as

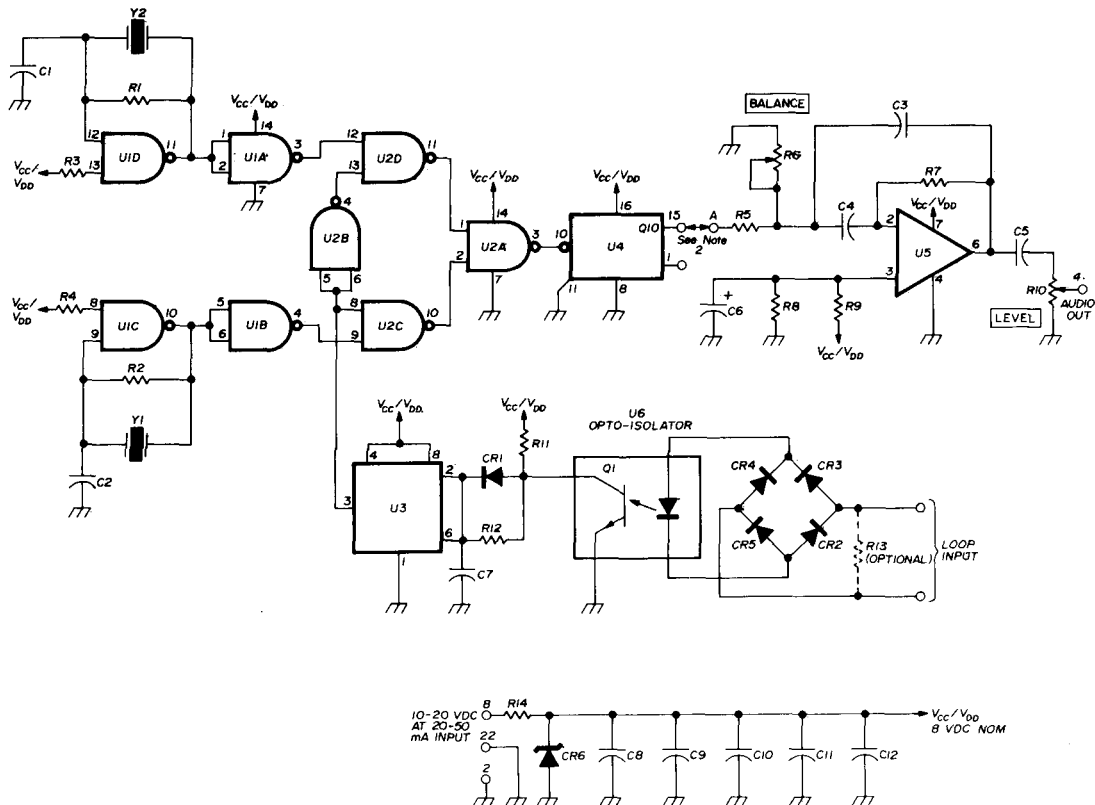


fig. 1. Schematic of the improved afsk design. Minimum parts and maximum circuit flexibility are featured.

- NOTES:
1. C9-C12 ARE DISTRIBUTED V<sub>cc</sub>/V<sub>dd</sub> BYPASSES.
  2. JUMPER POSITION DETERMINED BY DESIRED OUTPUT FREQUENCY—SEE TEXT AND TABLE 1.
  3. CONNECTOR PINOUT CONFORMS TO DT-600 WHERE PRACTICAL.
  4. D/AFSK-100 BOARD COMPRISES TWO COMPLETE AFSKS. PINOUT ON ICs IS THE SAME FOR EACH AFSK.
  5. PINOUT FOR SECOND AFSK: 12, 13 LOOP INPUT; 19 AUDIO OUTPUT.

follows: Assuming the loop is closed, isolator transistor Q1 is saturated, and C7 is discharged through R12. When the loop opens, C7 charges through CR1 and R11. Since CR1 and Q1 have similar junction characteristics, charge and discharge times will be essentially identical with no contact bounce. If bounce on loop closure occurs discharge time will extend; if it occurs on opening charge time will extend.

U3 is connected as a Schmidt trigger whose trigger

**table 2. Parts list. A ready-to-use PC board with assembly and troubleshooting information is available (see text).**

Y1, Y2	EX grade, 32 pF series resonant. See table 1
U1, U2	CD4011AE or equivalent cmos quad 2-input NAND gate
U3	NE555V timer or equivalent
U4	CD4020AE or equivalent cmos 14-stage ripple counter.
U5	LM741CN or equivalent 741-type op-amp
U6	H-11A or equivalent opto-isolator
R1, R2	1 meg ¼ watt 10%
R3, R4	10k ¼ watt 10%
R11, R12	
R5	see table 1
R6, R10	1k trimpot CTS X201-R102B or equivalent. See also table 1
R7	see table 1
R8, R9	2.2k ¼ watt 10%
R13	33 ohm ¼ watt 10%
C1, C2	47 pF ceramic disc
C3, C4	0.01µF mylar or polystyrene
C6	10 µF 15 wVdc aluminum electrolytic
C5	0.22 µF ceramic disc
C10-C12	0.1 µF ceramic disc
C8, C9	50 µF 15 wVdc aluminum electrolytic
C7	0.01 µF ceramic (60 wpm Baudot) or 0.005 µF ceramic (100 wpm ASCII)
CR1	1N914 or equivalent silicon diode
CR2-CR5	1N4002 or equivalent
CR6	1N959 zener, 8.2 volt, 400 mW or equivalent

point is  $1/3V_{cc}/V_{dd}$  and whose reset point is  $2/3V_{cc}/V_{dd}$ , thus providing symmetrical action with wide hysteresis. If debounce is not desired or needed, R12, CR1 and C7 may be deleted, with a jumper added in place of CR1. U3 is retained to insure fast mark-space transition. The loop input is designed for 20 mA operation. If 60-mA loop operation is desired, add a 33-ohm resistor in parallel with the isolator input (optional resistor R13 in fig. 1).

\*An etched, drilled and plated PC board is available from Precision Technical Labs, P.O. Box 6743, Richmond, Virginia, 23230. A copy of this article plus component layout and troubleshooting information will be included with the board. The boards are laid out to accept two complete afsk circuits to allow simultaneous independent Baudot and ASCII operation. Order part number D/AFSK-100 and remit \$10.95 (check or money order) for each board desired. Allow 2 to 3 weeks for delivery. Clubs and groups should write for quantity discounts. Boards are designed to conform to the DT-600 supply bus pinouts.

Power supply requirements are relaxed by including the zener regulator circuit R14, CR6, and C8-C12. This circuit allows operation from supply voltages between 10 - 20 Vdc. Current drain is 20 - 50 mA depending on supply voltage.

If operating frequencies other than the standard 2125-Hz mark and 2295-Hz space pair are desired, changes to the active filter and crystal frequencies may be calculated by the formulas given in table 1 and in reference 6. The circuit is not designed for operation with shifts beyond 200 Hz since wide-shift RTTY is fast disappearing.

### construction and adjustment

Printed-circuit construction and good mechanical practices should be used in assembling this unit.\* A parts list is provided in table 2. Since moderate rf levels are used, attention should be paid to parts placement. Setup is simple and should take little time after construction. Upon applying supply voltage to the unit, some level of tone should appear at the output. Set the output level control for maximum, and adjust the balance control for maximum output. The open-circuit output at this point should be about 1 to 1.5 Vac and should be the space tone. Connect the unit into the loop, and the tone should shift to the mark frequency. If this is the case, run a test tape and adjust the balance control for unchanging output amplitude. Adjust the output level control for the desired audio level, and the unit is operational.

### conclusion

This afsk unit was designed for optimum quality and stability in keeping with modern design methods and components. Ease of assembly, checkout, and troubleshooting is ensured by a minimum of adjustments and critical circuits. Most sources of noise, distortion and poor stability have been eliminated. By careful selection (or elimination, where practicable) of debounce time constants, this unit may be used at maximum speeds encountered in normal RTTY and data operation using an afsk. Total cost is under \$30, including the PC board (less with a well-stocked junk box). Excluding the crystals, all parts should be available at most parts houses.

### references

1. *Radio Amateur's Handbook*, American Radio Relay League, Newington, Connecticut, 1972 edition.
2. Howard Nurse, W6LLO, "Crystal-Controlled AFSK Generator," *ham radio*, December, 1973, page 14.
3. Chuck Barrows, K7BVT, "Crystal-Controlled AFSK Generator," *ham radio*, July, 1972, page 13.
4. B. Stuecker, "Crystal-Controlled AFSK Generator," *RTTY Journal*, June, 1970.
5. Daryl J. Duffin, K7ZOF, "Phase-Locked-Loop AFSK Generator," *ham radio*, March, 1973, page 27.
6. Don Kesner, W7EIJ, "An Introduction to Active Filters," *CQ*, April, 1975, page 32.

ham radio

# TECHNICALLY SPEAKING, HEATH HAS THE BEST 2-METER AROUND.



**\$269<sup>95</sup>**

With Standard Microphone

Shown with optional MICODER™ installed

## Take our HW-2036 Frequency-Synthesized 2-Meter Transceiver for example

### Our circuit designs prove it

The HW-2036 offers true digital frequency synthesis for real operating versatility. No extra crystals are needed and there are no channel limitations. Advanced digital circuitry uses a voltage-controlled oscillator (VCO) that is phase-locked to a highly stable 10 MHz crystal-controlled reference. Double-tuned stages following the VCO in the receiver and transmitter provide clean injection signals. The result is a signal that has spurious output more than 70 dB below the carrier (see spectrum analyzer photos below). Additionally, the "add 5 kHz" function is accomplished digitally in the HW-2036 so that no frequency error is introduced.

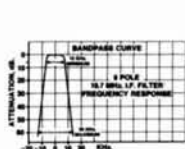
### True FM

Careful attention to the transmitter audio circuitry and the use of true FM gives exceptional audio quality. A Schmitt-trigger squelch circuit with a threshold 0.3  $\mu$ V or less provides positive,

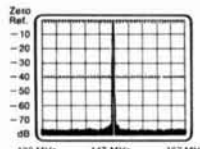
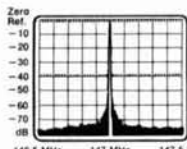
clearly-defined squelch action. Other design advantages include diode-protected dual-gate MOS FET's in the front end, IC IF and dual-conversion receiver.

### Outstanding Specifications

The HW-2036 puts out a minimum 10 watts and operates into an infinite VSWR without failure. Receiver sensitivity is an excellent 0.5  $\mu$ V for 12 dB Sinad making the HW-2036 ideal for use in crowded signal areas. We think you'd be hard-pressed to find a comparably-priced 2-meter transceiver that gives you the features and performance of the HW-2036.



An 8-pole IF crystal filter greatly reduces adjacent channel interference.



Actual spectrum analyzer photos of the HW-2036 transmitter output operating at 147 MHz. Spurs within 20 MHz of carrier are down a full 70 dB!

*There's more for the Ham at Heath*

## FREE HEATHKIT CATALOG

Read about other fine Ham equipment and our wide variety of outstanding electronic kits — everything from lamp dimmers to color television is in our big FREE catalog.

**Send for yours today!**

Heath Company, Dept. 122-27, Benton Harbor, Michigan 49022

HEATH

Schlumberger

Heath Company, Dept. 122-27  
Benton Harbor, Michigan 49022

Please send me my FREE Heathkit Catalog.  
I am not on your mailing list.

Name \_\_\_\_\_

Address \_\_\_\_\_

City \_\_\_\_\_ State \_\_\_\_\_

AM-343 Zip \_\_\_\_\_

# reducing intermodulation distortion in high-frequency receivers

## Understanding and improving intermodulation performance of amateur band receivers

Judging by some recent articles in *ham radio*, amateurs are finally discovering that even the best of our high-frequency receivers are marginal when it comes to front-end performance in the presence of strong signals. Interestingly enough, the problem has not been caused by any lack of suitable technology, but rather most amateurs have simply been unable to clearly recognize and define the symptoms. We also have placed little pressure on manufacturers to produce receivers with cleaner frontends. Over the last several years, however, we have had to operate our receivers in increasingly dense rf environments. As a result, most of us have become well acquainted with a wide variety of frontend maladies in our communications receivers.

Recently, we have read about amateurs who have built receiver frontends employing special components and techniques that result in superior performance.<sup>1,2</sup> It is probably only a matter of time before the amateur receiver manufacturers incorporate some of these features into a new generation of amateur receivers. To a limited extent, this has already begun. Realistically speaking, I don't believe that most amateurs are contemplating homebrewing a receiver from scratch or unloading a present receiver for a new one in the near future. This then leaves two choices; live with the problem or modify our existing receivers to improve frontend performance. The first choice is easy, but I

endeavored to determine if the second could reasonably be accomplished by a technically competent amateur. I ascertained that it can be done, but only with considerable time and effort.

### what's right about our present receivers

Before we tear apart the designs of existing receiver frontends, let's attempt to understand the philosophy behind those designs. You may suspect a concept that has lasted all these years can't be entirely bad, and would have some compensating virtues. This is certainly the case. Fig. 1 is a simplified block diagram of a typical amateur receiver frontend. Dual conversion is used, with the first i-f high enough to obtain good image rejection and the second i-f low enough to permit high gain while providing the required selectivity. The first LO (local oscillator) is a fixed-frequency, crystal-controlled oscillator for high stability, while the second LO (the vfo) can be operated at a low frequency where it also can be made stable. Another factor that enhances vfo stability is the absence of a vfo bandswitching requirement. Bandswitching is accomplished by changing crystals in the first LO. What we really have here is a low frequency tunable i-f preceded by heterodyne converters. With this one basic design, we buy sensitivity, selectivity, image rejection, and frequency stability in one neat package. So, rest assured that there has been no conspiracy among the manufacturers to sell us receivers with inferior frontends. They have simply employed a design incorporating nearly all the frontend qualities that most amateurs have asked for in the past.

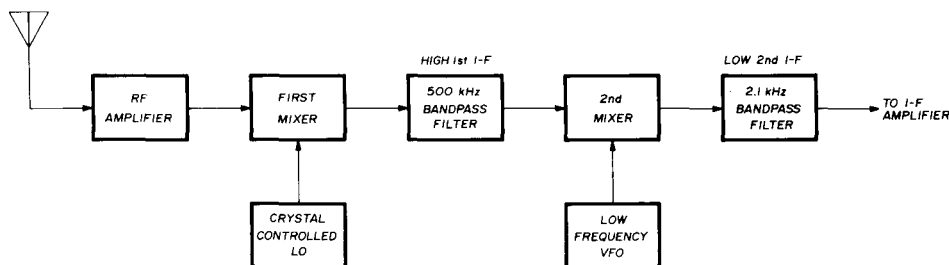
### what's wrong

Now let's flip the coin and take a hard look at the other side. In a receiver frontend, such as the one shown in fig. 1, we have three active stages preceding the second i-f filter. The composite bandwidth of the frontend could be on the order of hundreds of kHz, permitting strong in-band signals to find their way through all three stages. The second i-f filter eliminates all but the desired signal. Speaking in terms of frontend intermodulation, cross modulation, and desensitization, though, the damage has already been done. Simply stated, the active devices cannot handle the high signal levels produced as a result of the broadbanded gain. You might guess that the active stage most likely to cause trouble is the second mixer, since it is preceded by the most gain. Therefore, if you want to improve the frontend performance of a dual-conversion receiver similar to

By Alex J. Burwasser, WB4ZNV, Post Office Box 982, Poway, California 92064

the one shown in **fig. 1**, you should direct your efforts toward cleaning up the second mixer.

Before we discuss methods of cleaning up the second mixer, let's briefly review some of the more common receiver frontend maladies and what causes them. The problem that is probably most familiar to amateurs is



**fig. 1.** Typical front-end of a dual-conversion amateur-band receiver.

receiver desensitization. This is caused by the presence of a strong signal close to the desired signal. Whenever the strong signal comes on the air, the desired signal amplitude decreases. Desensitization occurs because the strong signal has driven one or more of the active frontend stages into gain compression, thereby reducing the frontend gain for all signals.

Another frontend problem is cross modulation. This occurs when a strong signal, close in frequency to the desired signal, imparts some of its modulation to that signal. Again, the cause of cross modulation is non-linearity in one or more of the active frontend stages.

When two signals at frequencies  $f_1$  and  $f_2$  interact in a nonlinear device, intermodulation (IM) products result. As long as these IM products fall outside the rf passband of the receiver frontend, no damage is done. Otherwise, there will be spurious responses as we tune the receiver across the band. IM products can be further categorized as being either even-order or odd-order. Even-order products (2nd, 4th, etc.) are normally of no concern in amateur receiver frontends, since either  $f_1$  or  $f_2$  (or both) would have to be well outside the receiver rf passband in order to produce in-band IM products. As long as the rf passband is less than an octave, as is ordinarily the case in an amateur receiver, even-order IM products will not be troublesome. Odd-order IM products (3rd, 5th, etc.) however, do cause trouble. They can be produced by in-band signals and no practical degree of frontend selectivity can eliminate them.

To summarize then, the three receiver frontend maladies that seem to give amateurs the most trouble are desensitization, cross modulation, and odd-order intermodulation products. Are separate remedies required? Fortunately, a remedy for any one of these problems is ordinarily applicable to the others. Therefore, we will only address the problem of odd-order IM distortion. More specifically, we will confine our efforts to the reduction of 3rd-order IM products, as higher odd-order products are usually less troublesome.

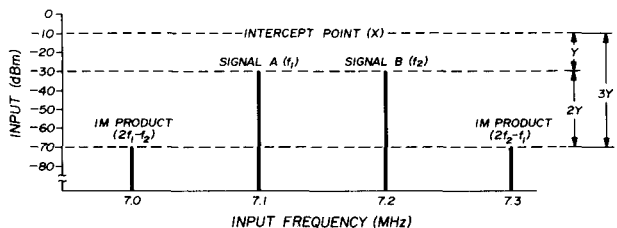
One of the reasons for the general lack of knowledge by amateurs concerning IM distortion has been the absence of an industry-wide method of specifying it. Among the few amateur receiver manufacturers who even bother to specify IM performance at all, no two receivers are specified in such a manner that one can be

meaningfully compared against the other. The figures provided are often meaningless mumbo-jumbo anyway, since the measurement conditions are neither standardized nor specified. *What we really need then is a method of specifying IM performance that is universal and does not involve so much hand-waving.*

### intercept point method

A general and succinct manner of specifying the 3rd-order IM performance of a receiver (or any device) is the intercept-point method. Not only does the intercept-point method permit you to compare the IM performance of two different receivers, but it also actually lets you compute the level of the resultant IM products given the strength of the two offending in-band signals. The intercept point method is well discussed in a 1967 article by McVay.<sup>3</sup> It has also been discussed in recent amateur magazine articles.<sup>1-4</sup> Hopefully, the manufacturers will soon take the hint and adopt the 3rd-order intercept point as a standardized specification, as has been done elsewhere in the communications industry.

Since the 3rd-order intercept-point concept has been described elsewhere, let's not dwell on it too much here, except to define it and indicate its application. The general rule of thumb is that if we know the 3rd-order intercept point of a receiver frontend is X dBm (0 dBm = 1 mW), and two in-band signals ( $f_1$  and  $f_2$ ) each have



**fig. 2.** Two signals and their resultant inband 3rd-order intermodulation products.

an amplitude of  $Y$  dBm below the intercept point, then the two resultant in-band 3rd-order IM products will have equivalent input amplitudes of  $X - 3Y$  dBm. Note that everything is referenced to the receiver input.

Plugging in some real numbers, suppose that a receiver is known to have a 3rd-order intercept point of  $-10$  dBm referenced to the input. Let's further assume that two signals within the receiver rf passband each have amplitudes of  $-30$  dBm.  $X$  is then equal to  $-10$  dBm, and  $Y = -10$  dBm  $- (-30)$  dBm =  $20$  dB, and by plugging these values into  $X - 3Y$  we get  $-10 - 3(20) = -70$ . Thus, the two resultant in-band 3rd-order IM products would each have equivalent input amplitudes of  $-70$  dBm.

Fig. 2 is a graphical representation of this situation, similar to what you might observe on a spectrum analyzer connected to the second mixer output before the i-f filter. The frequency axis has been referenced to the actual incoming signal frequency rather than the intermediate frequency. In addition, the signal levels are all referenced to the receiver input. Signal A ( $f_1$ ) and signal B ( $f_2$ ) are the two  $-30$  dBm signals and are on  $7.1$  and  $7.2$  MHz, respectively. Notice that the frequencies of the two resultant in-band IM products occur at  $2f_1 - f_2$  ( $7.0$  MHz) and  $2f_2 - f_1$  ( $7.3$  MHz). If the receiver was tuned to either  $7.0$  or  $7.3$  MHz, the IM product would be indistinguishable from another input of  $-70$  dBm. Since a  $-70$  dBm input level is better than S-9 on most receivers, you could expect interference to valid stations that we might be trying to copy on either frequency.

An interesting implication is that the IM products will increase in amplitude in proportion to the signals that cause them. Suppose that signals A and B increase in amplitude by  $10$  dB (to  $-20$  dBm). Since the amplitude difference ( $Y$ ) between these signals and the  $-10$  dBm intercept point is now only  $10$  dB ( $-10 - (-20) = 10$ ), the IM products will now have equivalent input amplitudes of  $X - 3Y = -10 - 3(10) = -40$  dBm. As a result, the amplitude of the IM products has increased a hefty  $30$  dB for an increase of only  $10$  dB in signals A and B. Fig. 3 illustrates this point. If we continue to raise the levels of signals A and B until they reach the  $-10$  dBm intercept point, the IM products will also be  $-10$  dBm ( $X = -10$ ;  $Y = -10 - (-10) = 0$ ;  $X - 3Y = -10 - 0 = -10$  dBm). If we were to simultaneously graph (fig. 4) the receiver output level of either signal A or B and either IM product output amplitude as a function of input

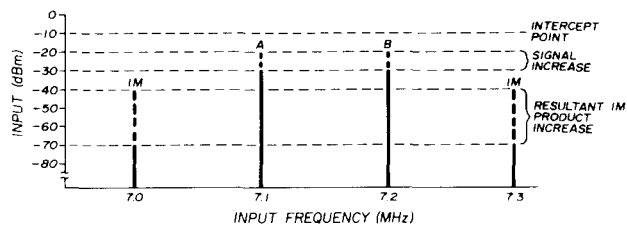


fig. 3. The change in the IM product level as caused by a change in the fundamental signal levels. The IM products will increase by a factor of three as the signal increases. Conversely the IM products will decrease by the same factor.

signal amplitude, the lines would intercept each other at an input level of  $-10$  dBm which, appropriately enough is called the "intercept" point. If, instead of raising the levels of signals A and B, we lower them, the level of the IM products will decrease at the same 1:3 ratio.

In the real world, the intercept point can only be inferred by extrapolation of the two lines, since the receiver front-end reaches its gain compression region at an input level that is typically  $10$  to  $15$  dB below the intercept point. As a result, the curves would tend to flatten out to the right and would never reach the intercept point.

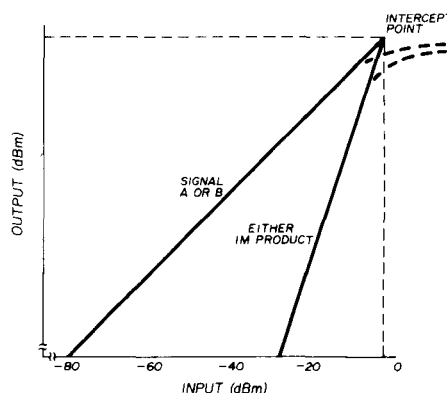


fig. 4. Intercept point graph. The intercept point is really an extrapolation of the signal levels. The active stages will go into gain compression before the intercept is reached.

The intercept point model presented above is valid as long as the receiver front-end is not being driven into its gain compression region. Also, we have assumed that signals A and B are equal in amplitude. If the two signals are different in amplitude, a correction factor must be applied. Finally, the rf bandpass characteristics of the receiver can modify the input levels of signals across an amateur band.

### receiver performance

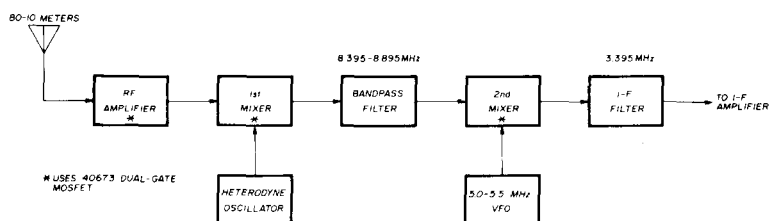
High-performance receivers exist today with 3rd-order intercept points in excess of  $+25$  dBm, but this performance comes at a steep price. Fortunately, this type of performance is far better than most amateurs really need and can reasonably expect. The IM performance of commercially designed amateur receivers varies over a wide range. Interestingly enough, many of the new receivers on the market are more prone to IM distortion than the older ones. If you have a single-conversion, tube-type receiver, you are probably reasonably well off with regard to IM. On the other hand, the high sensitivity solid-state multi-conversion receivers tend to suffer more from IM distortion. In terms of round numbers, the 3rd-order intercept point of amateur receivers might be  $-40$  dBm or even worse at the bottom of the scale, and perhaps  $-10$  dBm or somewhat better at the high end. It's difficult to pinpoint what is "good" or "bad", but I feel that an amateur

receiver with a 3rd-order intercept point of -10 dBm or better will provide excellent IM performance in most cases.

### practical revisions

As mentioned earlier, in most dual-conversion receivers, the second mixer is the worst offender in terms of IM distortion, and any efforts to raise the 3rd-order intercept point should be directed toward improving the performance of this mixer. Fig. 5 is a block diagram of my receiver front-end prior to modifi-

fig. 5. Block diagram of the author's receiver.



cation. Note the similarity to fig. 1. Even though high quality fets are used throughout, severe IM distortion was experienced, particularly at night on 40 meters. Standing alone, the IM performance of the second mixer is not bad, but this performance is degraded by whatever gain precedes this mixer, which in this case is quite considerable. For example, if the second mixer had a 3rd-order intercept point of -10 dBm and was preceded by 30 dB of gain in the rf amplifier and first mixer, the overall receiver 3rd-order intercept point would be -40 dBm (assuming that the second mixer was the primary cause of the IM). A receiver with a 3rd-order intercept point of -40 dBm has very poor IM performance.

I decided that the best solution to the problem was to replace the fet second mixer with a hot-carrier diode double-balanced mixer. With proper vfo injection levels and correct termination, a mixer 3rd-order intercept point of +10 to +15 dBm can be realized. A Watkins-Johnson (relcom) M6 low-level, double-balanced mixer was chosen, although comparable units made by Anzac, Mini-Circuits Laboratory, and other firms could have been substituted with essentially the same results.

At the outset, it seemed that three basic problems had to be solved: building a low-noise, high-intercept point i-f post-amplifier to compensate for the 6 to 7 dB conversion loss of the M6, setting the vfo drive level so that a constant +7 dBm LO signal would be injected into the M6 mixer across the entire vfo tuning range, and changing circuit impedances to accommodate the 50-ohm port impedances of the M6. Unfortunately, solving these problems led to other problems that made the task considerably more difficult than I had first imagined.

The circuit that finally evolved is shown in fig. 6. Several points should be mentioned. For one thing, the M6 does not like reactive terminations at its i-f port, and to a lesser extent at the LO port. Reactive terminations at these two ports adversely affect the conversion loss

and the IM performance. Thus, it is not permissible to terminate the i-f (dc-coupled) port with a filter, since it becomes highly reactive at all frequencies outside the passband. Consequently, a grounded-gate jfet amplifier, biased to present an input impedance of 50 ohms, immediately follows the M6. The U320 jfet is specifically designed to provide high transconductance and outstanding IM performance in grounded-gate applications (and accordingly these outstanding qualities are reflected in its price). Other suitable "super jfets" are the U310, CP643, and CP651. It is important that the

jfet installed in this circuit has a 3rd-order intercept point no less than 6 to 7 dB below that of the M6. Otherwise, the jfet becomes the weak link in the chain and the full benefit of the superior IM qualities of the double-balanced mixer is not realized. The pi-network output circuit couples the 2000-ohm output of the jfet stage to the i-f filter (also 2000 ohms in this case).

Fortunately, sufficient vfo output was available to provide the required +7 dBm of drive at the M6 LO port. The 3 dB resistive pad on the LO port tends to swamp out any impedance variations. The loaded vfo maintains a reasonably constant output amplitude over its frequency range. The impedance matching problem was solved by using a low-Q impedance matching network to transform the high output impedance of the 8.395 - 8.895 MHz bandpass filter down to 50 ohms. Matching the 50-ohm output impedance of the M6 to the high-impedance i-f filter was accomplished using the jfet grounded-gate amplifier as explained earlier. There was no difficulty in matching the 25-ohm output impedance of the vfo to the M6 LO port.

The first iteration of the circuit did not use the vfo lowpass filter or the second 8.395 - 8.895 MHz (50 ohm) bandpass filter. In addition, no special precautions were taken to shield the added circuitry. The result was obnoxious birdies every few kHz across the entire receiver tuning range. This was very perplexing — the original idea was to *reduce* spurious responses.

After some investigation, I discovered that the birdies were caused by high-order harmonics of the vfo (generated in the double-balanced mixer) heterodyning with harmonics of the heterodyne oscillator located elsewhere in the receiver. Don't forget that double-balanced mixers are extremely broadband devices that do a very efficient job of mixing, even up to several hundred MHz.

Further investigation revealed that the harmonics of the heterodyne oscillator were entering the double-balanced mixer through all three ports. Thus, the entire





# second-generation IC voltage regulators

A survey of  
easy-to-apply  
second-generation ICs  
for use with inexpensive  
voltage-regulated  
power supplies

Shortly after the monolithic IC operational amplifier made its appearance as a low-cost circuit component, those intrepid linear IC designers who gave us the  $\mu$ A709 and similar op amps began plans to offer IC voltage regulators. This was not accidental, because the IC op amps had already found a major market in regulated power supplies. Early IC voltage regulators were relatively awkward to use, requiring a considerable number of external components to make them work. Fairchild had its  $\mu$ A723, National had its LM300, and Motorola had its MC1460. These ICs are still useful; and they, or their slightly improved descendants, are still found in new commercial designs (the LM300 has been super-

seded by the LM305, and the MC1460 by the MC1469).

In the last few years, however, a new generation of IC voltage regulators has appeared on the scene. These newer types are *much* easier to use than the earlier regulators, and some are so inexpensive that they have even cut into the zener diode market.

The National LM309 was one of the earliest three-terminal voltage regulator ICs to be introduced, and is typical of the new generation of such devices. It is a +5 volt (output) regulator designed to regulate  $V_{CC}$  in TTL and DTL circuits for the immense digital logic market. The case of the LM309, normally grounded to the chassis for both electrical and heat conductivity, serves as the regulator's common lead and makes it really simple to use. As shown in fig. 1, the LM309 is available in two case styles: TO-3 and TO-39 (similar to TO-5), and supplies up to one ampere output current, depending upon the adequacy of the heatsink with which it is used.

By a curious quirk of fate, an *earlier* three-terminal voltage regulator made by Continental Devices Corporation (now a part of Teledyne), never really got off the ground. The CDC 513-4 was a +15 volt regulator enclosed in an inexpensive TO-5 plastic case. Had the CDC 513-4 been available with a different output voltage, or had it been released at a different time, perhaps it would have been the first successful three-terminal regulator. As it is, the CDC 513-4 is just an "also-ran" in the IC race.

By Hank Olson, W6GXN, Box 339, Menlo Park, California 94025

The success of the LM309 prompted further three-terminal regulator designs, and European Electronic Products (EEP) soon introduced the LM335, LM336, and LM337 in +5, +12 and +15 volts output versions, respectively; but available only in the TO-3 package.

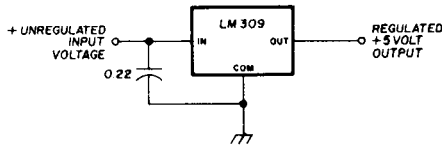


fig. 1. Simple circuit illustrates extreme simplicity for using the National LM309 three-terminal IC voltage regulator. Note that case is grounded and that a capacitor is used between input terminal and ground.

EEP is now known as Energy Electronic Products, and the foldback current-limited regulation curves of the EEP devices are shown in fig. 2.

The best attributes of the first three-terminal regulators of CDC, EEP, and National were combined in the Fairchild  $\mu$ A7800 series, which had the high-current capability of the LM309, the plastic package economy of the CDC 513-4, and the variety of output voltages of the EEP series. The Fairchild  $\mu$ A7805, 7806, 7808, 7812, 7815, 7818, and 7824 devices were packaged in either TO-3 enclosures or the less expensive TO-220 plastic power packages. The last two digits in each IC number identify the positive output voltage, and mean that +5, +6, +8, +12, +15, +18, and +24 volts, respectively, are available. Like the LM309 and EEP units, the case or metal-mounting tab is the common terminal, and is usually chassis grounded. Like the LM309 and the CDC 513-4, the  $\mu$ A7800 family is temperature-protected; that is, temperature rise of the chip controls shut-down. For this reason, the amount of current that the regulator will put out is dependent upon how well the heatsinking is accomplished, and which output voltage device you choose. For example, at 25°C the  $\mu$ A7805 will put out 500 mA, whereas the  $\mu$ A7824 will put out only 150 mA.

The Fairchild  $\mu$ A7800 family is perhaps the most popular, and also the most widely "second-sourced" three-terminal regulator of all. Similar devices, with similar part numbers, are produced by Motorola, National, Signetics, Silicon General, and others. These equivalents are shown in table 1.

### low- and medium-current regulators

The basic  $\mu$ A7800 family has been expanded to create the  $\mu$ A78M00 and the  $\mu$ A78L00 subfamilies; the difference being that these subfamilies, using smaller packages, are designed to limit at lower currents. If you remember the "M" is for medium current, and "L" is for low current, you'll get the general idea. The  $\mu$ A78M00 family is packaged in TO-220 and TO-39 enclosures, while the  $\mu$ A78L00 family is produced in TO-39 and

TO-92 packages. The TO-92 enclosure is, of course, a small plastic inline transistor package. At 25°C the respective output currents of the  $\mu$ A7805,  $\mu$ A78M05, and  $\mu$ A78L05 are approximately 500 mA, 300 mA, and 40 mA. One other difference to be noted in the  $\mu$ A78L00 family is that it is available with an output of +2.6 volts, as well as the aforementioned higher values. As with the  $\mu$ A7800 family, the "M" and "L" series are second-sourced by other manufacturers. Tables 2 and 3 cover the  $\mu$ A78M00 and  $\mu$ A78L00 equivalents.

### multivoltage regulators

National Semiconductor made a significant, if somewhat late, step forward with their LM340 and LM320 families of multivoltage, three-terminal IC voltage regulators. The LM340 series of devices is similar to the  $\mu$ A7800 series, and is produced in TO-3 and TO-220 packages. The companion LM320 series, however, is a family of *negative* voltage regulators, long needed by electronic circuit designers. The LM320 offered -5, -5.2, -6, -8, -12, -15, -18, and -24 volts. Now, the designer could easily construct a regulated power supply with outputs of  $\pm 5$ ,  $\pm 6$ ,  $\pm 8$ ,  $\pm 12$ ,  $\pm 15$ ,  $\pm 18$ , and  $\pm 24$  volts for operation of op amps and other linear ICs. Also, the

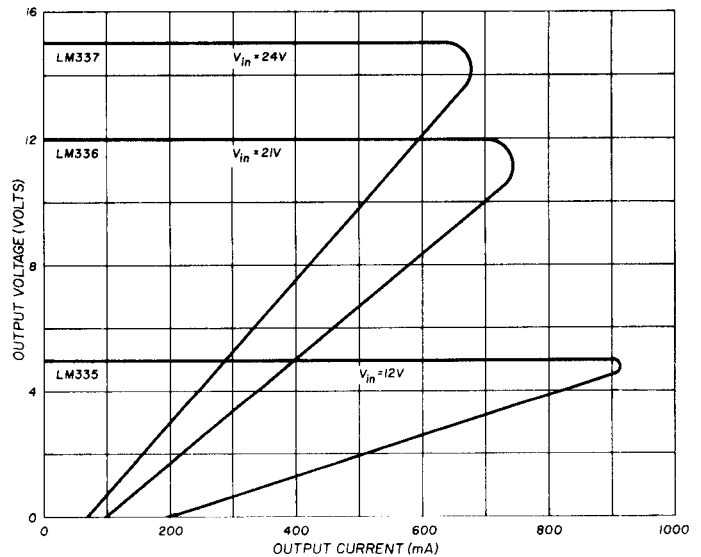


fig. 2. Output voltage and current characteristics of EEP voltage regulators LM335, LM336, and LM337. Note the relationship between input and output voltage, and the current-limiting characteristics of each.

important +12, -6 volt pair could be provided (for voltage comparators like the  $\mu$ A710 and  $\mu$ A711) as well as -5.2 volts for ECL ICs. Motorola and Fairchild quickly followed with negative-voltage three-terminal regulators offering the same output voltages, but with the addition of a -2 volt output member in their families. The three-terminal, negative-voltage regulators are shown in tables 4 and 5.

A word of caution is appropriate when using these negative regulators: *do not ground the case!* The case is *not* the common terminal, but rather, the input terminal. This is unfortunate from the user's point of view, but apparently is dictated by the subtleties of IC chip design and a knowledge of which element must be at substrate potential. As with the positive voltage three-terminal regulators, an input capacitor is placed across the IC (and in close proximity, to provide a low inductance connection) for stability. Such a negative voltage regulator is shown in fig. 3.

In Europe, the SGS/ATES company produces the L129, L130, and L131 series of voltage regulators furnishing +5, +12, and +15 volt outputs. These are enclosed in TO-126 plastic power packages (the smaller of two *Thermo-pad* packages manufactured by Motorola in the U. S.). Electrically, the L129, L130, L131 regulators are remarkably similar to the EEP LM335, LM336, and LM337 types in that they also employ foldback current limiting, rather than thermal protection.

### high-current regulators

More recently, National introduced a higher current three-terminal regulator for +5 volt system regulation. The LM323 is a +5 volt, 3 amp device available only in a TO-3 case. Like its smaller relative, the LM309, the case is the common terminal, and - for stability - its input terminal requires a capacitor connected to the common terminal.

The National LM345 is similar to the LM323 in that it, too, is a 3-amp device, but provides negative output voltages. The LM345 is available with regulated outputs of -5.0 and -5.2 volts. As with the LM320 series, the case is the *input*, not the *common*, terminal. The LM345, also, is made only in a TO-3 package. National makes three other groups of proprietary three-terminal regulators designated as the LM341, LM342, and LM3910. The LM341 series is available with output voltages of +5, +6, +8, +12, +15, +18, and +24 volts, and is roughly comparable to the Fairchild  $\mu$ A78M00 family. The LM341 series is only available in a TO-202 plastic power package (similar to the package that General Electric uses for its plastic power transistors).

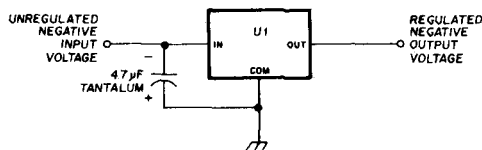


fig. 3. Application of the three-terminal IC negative-voltage regulators such as the National LM320 or National  $\mu$ A7900 series. Note that the case must not be grounded. See text for details.

The LM342 series is available in both TO-202 and TO-39 packages, and is also available with the same voltages as the LM341 family. The LM342 family has lower output current than the LM341 family.

A still-lower-current three-terminal IC regulator made by National is the LM3910 series packaged in TO-39 or TO-92 cases. This series is meant to replace the  $\mu$ A78L00 family with tighter output voltage tolerance, higher ripple rejection, better regulation, and lower

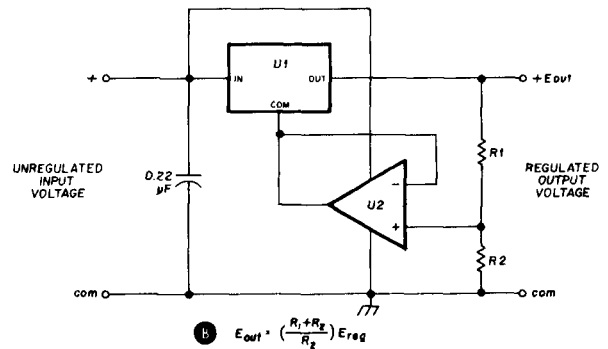
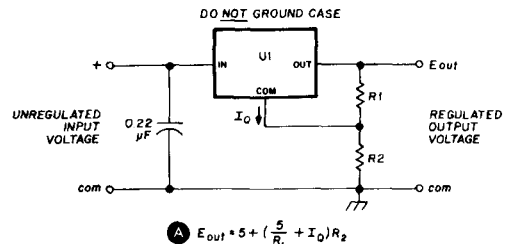


fig. 4. The circuit in (A) shows a simple method of increasing nominal output voltage of a three-terminal IC voltage regulator such as the National LM340-05. R1, R2 form a simple voltage-divider network. The circuit in (B) shows how a three-terminal IC positive-voltage regulator can be combined with an op amp to increase the regulated output voltage. Text has details.

quiescent current. To see the relative output currents of the LM341, LM342, and LM3910 families, let's compare the output current of each at +5 volts. At 25°C, the LM341-05 furnishes 500 mA, the LM342-05 furnishes 200 mA, and the LM3910-5.0 furnishes 100 mA.

### circuit applications

Many three-terminal IC regulators may be paralleled to provide higher current output. This is not advisable with the various LM309 types, but works well with the LM320, LM340,  $\mu$ A7800, and  $\mu$ A7900 ICs (and their equivalents).

There are several circuit tricks that may be played with three-terminal regulators to change their output voltages. The simplest one is shown in fig. 4A. Note that this technique can be used only to *raise* the regulated output voltage and that it slightly degrades regulation. The smaller the value of R2, the better the regulation, so it follows that the IC furnishing the closest voltage *on the low side* of the desired output voltage should be used.

A technique which allows variation of the output voltage uses an op amp as a non-inverting follower to

**table 1. Three-terminal positive IC voltage regulators by type number, voltage rating, and manufacturer. All are similar to the Fairchild  $\mu$ A7800 series. See text for current ratings and other characteristics. Blanks indicate that an equivalent IC is not available.**

manufacturer	+5V	+6V	+8V	+10V	+12V	+15V	+18V	+20V	+24V	+28V
Fairchild	$\mu$ A7805	$\mu$ A7806	$\mu$ A7808	----	$\mu$ A7812	$\mu$ A7815	$\mu$ A7818	----	$\mu$ A7824	----
Lambda	LAS1505	LAS1506	LAS1508	LAS1510	LAS1512	LAS1515	LAS1518	LAS1520	LAS1524	LAS1528
Motorola	MC7805	MC7806	MC7808	----	MC7812	MC7815	MC7818	MC7820	MC7824	----
Motorola-HEP	C6110P	C6111P	C6112P	----	C6113P	C6114P	C6115P	----	C6116P	----
National	LM340-5	LM340-6	LM340-8	----	LM340-12	LM340-15	LM340-18	----	LM340-24	----
National	LM7805	LM7806	LM7808	----	LM7812	LM7815	LM7818	----	LM7824	----
Raytheon	RC7805	RC7806	RC7808	----	RC7812	RC7815	RC7818	----	RC7824	----
Signetics	$\mu$ A7805	$\mu$ A7806	$\mu$ A7808	----	$\mu$ A7812	$\mu$ 7815	$\mu$ 7818	----	$\mu$ A7824	----
Silicon General	SG7805	SG7806	SG7808	----	SG7812	SG7815	SG7818	----	SG7824	----

**table 2. Medium-current (designated by the letter M), three-terminal, positive voltage-regulator IC by type number, voltage rating and manufacturer. See text for description.**

manufacturer	+5V	+6V	+8V	+10V	+12V	+15V	+18V	+20V	+24V
Fairchild	$\mu$ A78M05	$\mu$ A78M06	$\mu$ A78M08	----	$\mu$ A78M12	$\mu$ A78M15	$\mu$ A78M18	$\mu$ A78M20	$\mu$ A78M24
Motorola	MC78M05	MC78M06	MC78M08	----	MC78M12	MC78M15	MC78M18	MC78M20	MC78M24
National	LM341-5	LM341-6	LM341-8	----	LM341-12	LM341-15	LM341-18	----	LM341-24
Signetics	$\mu$ A78M05	$\mu$ A78M06	$\mu$ A78M08	----	$\mu$ A78M12	$\mu$ A78M15	$\mu$ A78M18	$\mu$ A78M20	$\mu$ A78M24
Motorola	MC7705	MC7706	MC7708	----	MC7712	MC7715	MC7718	MC7720	MC7724
Teledyne	78M05	78M06	78M08	----	78M12	78M15	----	78M20	78M24

**table 3. Low-current (designated by the letter L), three-terminal, positive voltage-regulator ICs by type number, voltage rating, and manufacturer. These devices are very popular for regulating single op amp or linear IC stages.**

manufacturer	+2.6V	+5V	+6V	+8V	+10V	+12V	+15V	+18V	+20V	+24V
Teledyne	----	----	----	----	----	829	830	----	----	----
Fairchild	$\mu$ A78L02	$\mu$ A78L05	$\mu$ A78L06	----	----	$\mu$ A78L12	$\mu$ A78L15	----	----	----
Motorola	----	MC78L05	----	MC78L08	----	MC78L12	MC78L15	MC78L18	----	MC78L24
National	----	LM342-5	LM342-6	LM342-8	LM342-10	LM342-12	LM342-15	LM342-18	----	LM342-24
National	----	LM3910-5	LM3910-6	LM3910-8	LM3910-10	LM3910-12	LM3910-15	LM3910-18	----	LM3910-24
National	----	LM78L05	----	LM78L08	----	LM78L12	LM78L15	LM78L18	----	LM78L24
Signetics	$\mu$ A78L02	$\mu$ A78L05	$\mu$ A78L06	----	----	$\mu$ A78L12	$\mu$ A78L15	----	----	----
Plessey	----	SL78L05	SL78L06	SL78L08	----	SL78L12	SL78L15	SL78L18	SL78L20	SL78L24

**table 4. Three-terminal negative IC voltage regulators by type number, voltage rating, and manufacturer. All are similar to the Fairchild  $\mu$ A7900 series. See text for current ratings and other operating characteristics.**

manufacturer	-2.0V	-5.0V	-5.2V	-6V	-8V	-12V	-15V	-18V	-24V
Fairchild	----	$\mu$ A7905	$\mu$ A7952	$\mu$ A7906	$\mu$ A7908	$\mu$ A7912	$\mu$ A7915	$\mu$ A7918	$\mu$ A7924
Motorola	C6117P	C6118P	C6119P	C6120P	C6121P	C6122P	C6123P	C6124P	C6125P
Motorola	MC7902	MC7905	MC7905.2	MC7906	MC7908	MC7912	MC7915	MC7918	MC7924
National	----	LM320-5	LM320-5.2	LM320-6	----	LM320-12	LM320-15	LM320-18	LM320-24
Silicon General	----	SG320-5	SG320-5.2	----	----	SG320-12	SG320-15	----	----

**table 5. Low- and medium-current, three-terminal negative IC voltage regulators manufactured by Fairchild and Motorola. The low-current version is designated by a letter L in the part number, while the letter M indicates medium-current capability.**

manufacturer	-3V	-5V	-5.2V	-6V	-8V	-12V	-15V	-18V	-20V	-24V
Motorola	MC79L03	MC79L05	----	----	----	MC79L12	MC79L15	MC79L18	----	MC79L24
Fairchild	----	$\mu$ A79M05	----	$\mu$ A79M06	$\mu$ A79M08	$\mu$ A79M12	$\mu$ A79M15	----	$\mu$ A79M20	$\mu$ A79M24

sample the output voltage divider and drive the common terminal of the three-terminal regulator. This circuit overcomes the degradation of regulation of the simpler circuit shown in fig. 4A. The op amp variation is shown in fig. 4B. Again, only voltages higher than the nominal regulated voltage may be achieved.

The circuit of fig. 5 shows a "real-value" circuit which is capable of output voltages from +7 to +20 volts. Reference 1 shows many more uses for three-

terminal IC voltage regulators, but many are so complex as to defeat the purpose of these simple ICs.

Three-terminal voltage regulators have made it possible for commercial firms to offer simple, inexpensive modular power supplies that even experimenters can afford. For instance, for \$8.95, plus \$1.25 handling, Adva\* offers kits including PC board, transformers, and

\*Adva Electronics, Box 4181 BE, Woodside, California 94062.

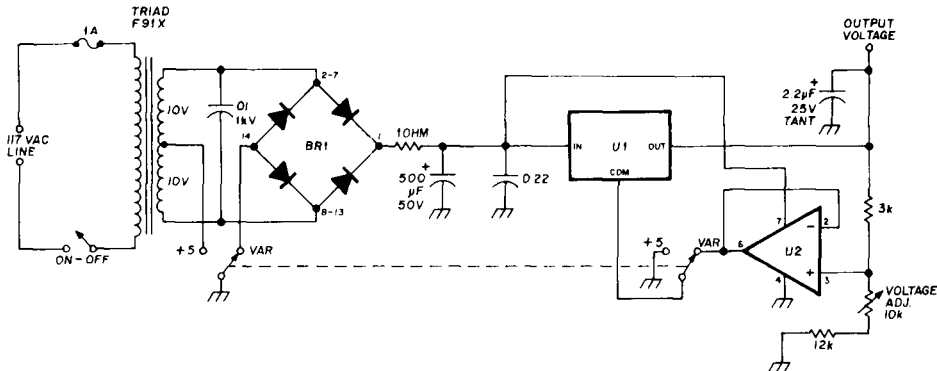
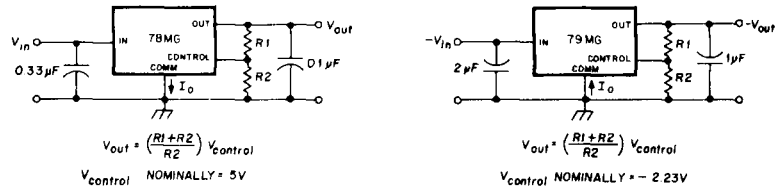


fig. 5. Circuit capable of providing fixed-variable output voltages; for example, +5V at 200 mA or 7-20V at 100 mA. Heatsink tab of U1 must be connected to floating heatsink. BR 1 is Adva bridge, U1 is LM340-05, and U2 is National LM741 CM op amp.

parts for construction of +5, +6, +9, +12, and +15 volt fixed, voltage-regulated power supplies. These supplies are based on the National LM340 series of three-terminal IC voltage regulators. Since all the Adva power supplies use the same type PC board, and the 9-volt unit uses two circuits like that of fig. 4A, output voltages are readily trimmable by adding a couple of resistors.

voltage for powering op amps, it is also the most common voltage rating for fixed, dual voltage regulators. There are also several dual positive-negative regulators available, such as the Silicon General SG3501, Motorola MC1468, and Raytheon RC4194, which may be used to produce *adjustable* dual outputs. These devices require one or more external resistors to establish the desired

fig. 6. Fairchild 78MG and 79MG four-terminal IC voltage regulators. The 79MG can provide +5 to +30 volts and 79MG can provide -2.2 to -30 volts, regulated. Current through R2 should be approximately 1 mA; therefore, R2 = 5k ohms for the 78MG, and 2.2k ohms for the 79MG.



Two recent ICs introduced by Fairchild are the 78MG and 79MG four-terminal voltage regulators. The 78MG is a positive voltage, and the 79MG a negative voltage regulator. They operate in the same general manner as the combination three-terminal voltage regulator and op amp of fig. 4B, requiring only a resistive divider to set the output voltage. Circuits using the 78MG and 79MG regulators are shown in fig. 6. These two ICs are offered in a plastic power package that has four pins on what appears to be a half-DIP package, with heatsink "ears" protruding from each side. The package is shown in fig.

output voltages. Dual regulators built around these units are shown in fig. 8. The current capability of all three of these ICs may be increased by adding external power transistors and other discrete components, as discussed in references 2, 3, and 4.

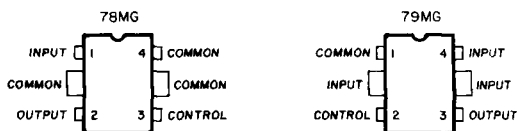


fig. 7. Top views of package connection diagram for Fairchild 78MG and 79MG voltage regulators of fig. 6.

Raytheon's RC4195 and National's LM325, 326, and 327, however, take the dual-voltage regulator a step further in the direction that made the three-terminal regulator so popular. These four ICs offer *fixed*, dual output voltage and simplicity of application — as well as an inexpensive power package option. The Raytheon RC4195 is available in a 9-pin TO-66, an 8-pin TO-5 and a plastic half-DIP. The TO-66 (RC4195TK) has the greatest heat dissipation, and may be used up to currents of 100 mA. The smaller RC4195T and RC4195DN (TO-5 and half-DIP) are better suited for spot-regulating op amps in which lower currents are required. A simple ±15 volt regulator using the RC4195T or RC4195DN is shown in fig. 9. Note that the pin connections would be changed if the RC4195TK unit were used.<sup>4</sup>

7. The 78MG and 79MG regulators may be set for output voltages from +5 to +30 and -2.2 to -30 volts.

The National LM325, LM326, and LM327 are for ±15, ±12, and +5, -12 volts, respectively. They are available in the 14-pin DIP (suffix N), the 14-pin DIP power package (suffix S), and the 10-pin TO-100 package (suffix H). The TO-100 package is similar to the

Some regulators are devoted to fixed *dual* output voltages. Inasmuch as ±15 volts is the most common

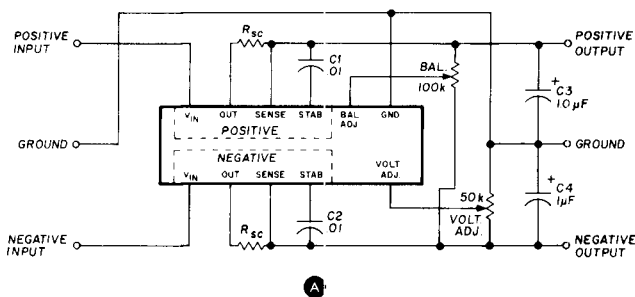
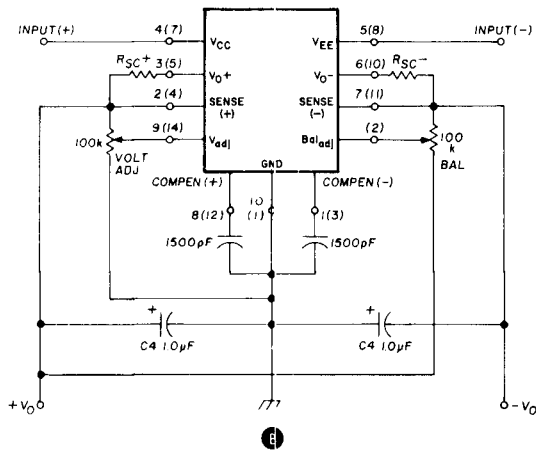
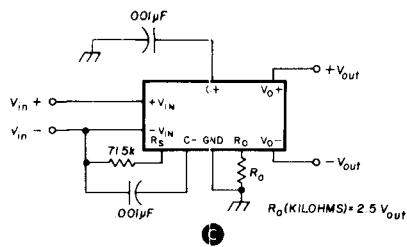


fig. 8. Silicon General SG3501 (A) is shown in variable  $\pm$  voltage-regulator circuit. External resistors establish (dual) output voltages. Motorola MC1468 (B) and Raytheon RC4194 (C) in similar circuits serve the same purpose and perform the same function.

TO-5 package, but has 10 pins. These fixed, dual regulators are aimed at the linear IC market, the very large MOS logic market in which common output voltages are +5, and -12 volts.

The S package is similar to that used by SGS/ATES

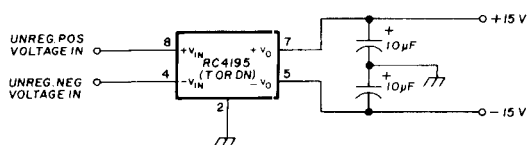


fig. 9. Raytheon RC4195T (or RC4195DN) in simple voltage-regulator circuit provides dual output voltages ( $\pm 15$  volts) at currents of up to 100 mA. This device is suitable for "spot" regulation of op amps.

and others in their audio power amplifier ICs in that it has a thick metal strap running the length of the DIP, which is bent over at the ends. The idea is to solder these bent-over ends into the copper lands of a PC board, to facilitate heat dissipation. The use of these ICs as dual regulators is shown in fig. 10. Different pin connections will be required if the N or H packages are used. With good heatsinking, the S version is capable of up to 100 mA output. The LM325, 326, 327 family may also be used with external power transistors to increase their current capability; this is covered in reference 1.

### higher-current regulators

Finally we come to the brutes of the voltage regulator scene, the MPC900 (negative) and the MPC1000 (positive). These are *not* fixed-voltage regulators at all, but they do represent the ultimate (to date) in current capability for single-regulator ICs. Ten amperes is the maximum output current of these devices, and they may be set to provide output voltages of -4 to -30 volts and +2 to +35 volts, respectively. Fig. 11 shows these ICs in useful circuits. Of course, very low thermal resistance heatsinking should be used with these ICs if maximum current is to be drawn from them. These ICs are relatively expensive, and most amateurs will probably choose smaller and more complicated, but less expensive IC voltage regulators with external power transistor(s) to boost output current.

### summary

In this article I have attempted to cover only the newer generation of IC voltage regulators, touching only briefly, for comparison purposes, on the older types. The older types are still useful, and many companies still elect to use them in new designs because they are so widely second-sourced and have become so inexpensive. References to new ICs have, in this article, been made to the least expensive commercial grades of each IC, which is what amateurs find most available. It should also be borne in mind that all of these IC types are *series* regulators, and require a certain minimum difference voltage across the chip — typically between 2 and 3 volts. The input (unregulated) voltage *must* be at least 2 or 3 volts higher than the output (regulated) voltage.

Most regulator ICs require some sort of external compensating capacitor, and will oscillate without this

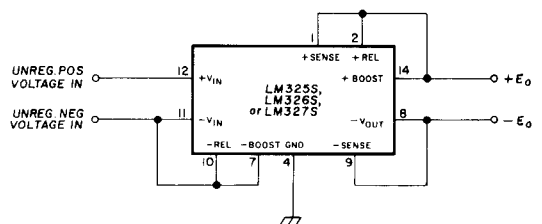
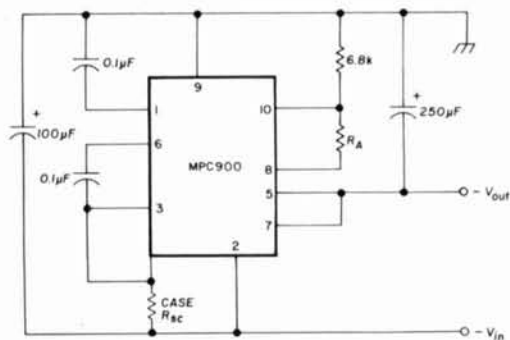
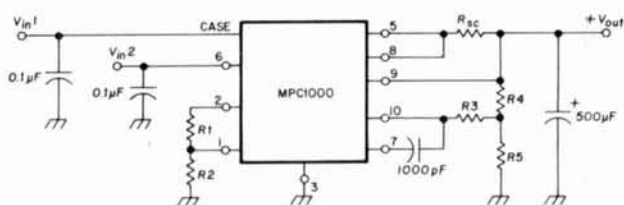


fig. 10. National LM325S, LM326S, and LM327S provide interesting dual-voltage regulated outputs at +15, +12; and +5, -12 volts, respectively. These are available in DIP configurations and aimed at linear IC applications.



B



A

PARAMETER VALUES FOR BEST RESULTS

	$2V < V_O < 7V$	$7V < V_O < 35V$
R1	$\frac{R2(7-V_O)}{V_O}$	$\frac{R4R5}{R4+R5}$
R2	$10k < R1+R2 < 100k$	$\infty$
R3	$\frac{R1R2}{R1+R2}$	—
R4	—	$\frac{R5(V_O-7)}{7}$
R5	$\infty$	$10k < R5 < 100k$
Rsc	$\frac{0.66}{I_{sc}}$ @ $T_J = 25^\circ C$	

fig. 11. High-current, up to 10 amperes, can be handled by the MPC1000 and MPC900 IC devices; the MPC1000 is for positive output voltages and the MPC900 is for negative output voltages. These regulators may be set from +2 to +35 and -4 to -30 volts, but require special heatsinking.

capacitor. This capacitor *must* be wired close to the IC to minimize the inductance of the leads. It is always a good idea to check the manufacturer's data sheet of the regulator IC for the connections of each particular package because different package versions of the same IC can have quite different connections. Finally, the same spec sheet should also be consulted to find out what the IC's built-in heatsink is connected to. Arbitrary grounding of the heatsink tab or case can spell instant demise of the IC.

references

1. *Voltage Regulator Handbook*, section 7, National Semiconductor Corporation, Santa Clara, California, 1975.
2. Silicon General Technical Bulletin 1501, "Dual Voltage Tracking Regulator," October, 1970.
3. Motorola Semiconductor DS9213, "Dual  $\pm 15$  Volt Regulator," October, 1972.
4. *Total Linears Handbook*, Raytheon Company, Semiconductor Division, Mountain View, California.

ham radio



# DON'T GET BENT OUT OF SHAPE OVER REPEATER CRYSTALS.

Amateur crystals 143.99-148.01 only \$4.50 postpaid.

Florida residents add 4% sales tax. Send frequencies, make and model when ordering. Our price includes most gear on our free Parts List. For special equipment not listed, we'll provide prices on request. Master Charge and BankAmericard telephone orders accepted. No COD's. See us at Dayton Hamvention.

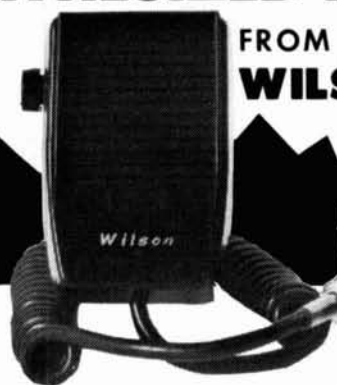


**Savoy Electronics Inc.**

Manufacturers of Quality Quartz Crystals Since 1937  
P.O. Box 5727, Fort Lauderdale, Florida 33310  
305/563-1333

PRESENTING THE  
**NEW**  
**2-METER PORTABLE**  
INTERNAL NI-CAD BATTERY OPERATED  
**SYNTHESIZED RADIO**

FROM  
**WILSON**



# WE-800

PORTABLE

**\$389<sup>00</sup>**

Note: Not available for sale.  
FCC certification pending.  
Orders accepted as soon as  
certification granted.

## WILSON'S NEW WE-800 2M RADIO

Wilson's New Portable 800 Channel 2 Meter Synthesized Radio that can go anywhere with you • 12 watts output in automobile • 2 watt output with internal Ni-Cad Battery Pack (10 "AA" Ni-Cads for Portable use) • Ni-Cads charge when used in auto • CMOS low current drain synthesizer Rx 45 Milliamps, 2 watt Tx 450 Milliamps.

- Uses Wilson's standard BP-1 Battery Pack (Batteries not included) and includes mounting bracket and speaker-mic
- Covers frequency range 144-148 MHz in 5 Hz steps • 600 KHz off-set up or down • 6 Channels sub-audible tones available as option • Size 8-1/4" x 6-3/4" x 1-7/8" • weight 1 lb. 15 ounces.

## 450 & 220 HAND HELDS

MODEL 4502 . . . \$299.95

FREQUENCY RANGE 420 - 450 MHz

- 6 Channel Operation
- Individual Trimmers on all TX/RX Crystals
- All Crystals Plug In
- 12 KHz Ceramic Filter
- 21.4 and 455 KHz IF
- .3 Microvolt Sensitivity for 20 dB Quieting
- Weight: 1 lb. 4 oz. less Battery
- Battery Indicator
- Size: 8 7/8 x 1 3/4 x 2 7/8
- Switchable 1 & 1.8 Watts Output @ 12 VDC
- Current Drain - RX 25 MA, TX 400 MA
- Microswitch Speaker Mic
- Unbreakable Lexan® Case

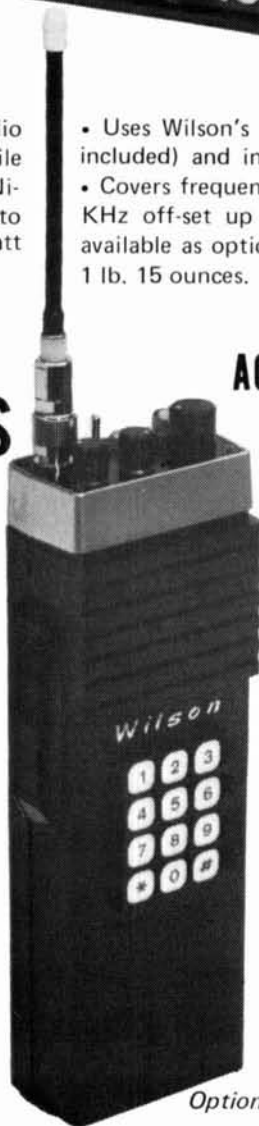
EACH UNIT INCLUDES  
FLEX ANTENNA AND  
SIMPLEX XTAL FREQ.  
INSTALLED:  
446.00 or 223.50 MHz.

FREQUENCY RANGE 220 - 225 MHz

- 6 Channel Operation
- Individual Trimmers on all TX/RX Crystals
- All Crystals Plug In
- 12 KHz Ceramic Filter
- 10.7 and 455 KHz IF
- .3 Microvolt Sensitivity for 20 dB Quieting
- Weight: 1 lb. 4 oz. less Battery
- Battery Indicator
- Size: 8 7/8 x 1 3/4 x 2 7/8
- Switchable 1 & 2.5 Watts Output @ 12 VDC
- Current Drain: RX 25 MA, TX 400 MA
- Microswitch Speaker Mic
- Unbreakable Lexan® Case

BOTH MODELS USE THE  
SAME ACCESSORIES AS 1405.

MODEL 2202 . . . \$249.95



(Photo Shown with  
Optional Touch-Tone Pad)

## ACCESSORIES & OPTIONS

- ★ Battery Charger (BC2)
- ★ 10 ea. AA Ni-Cad Battery Pack (BP-1)
- ★ Extra Battery Tray (BT-1)
- ★ Leather Case for 1402 (LC-1)
- ★ Leather Case for 1405, 2202, 4502 (LC-2)
- ★ Speaker Mike (SM-2) 6 pin connector
- ★ TE-1 Sub-Audible Tone Encoder, installed
- ★ TE-2 Sub-Audible Tone Encoder/Decoder, Installed
- ★ TTP - Touch-Tone Pad - installation free if ordered at time of purchase of radio
- ★ 10.7 KHz Monolithic Xtal Filter (XF-1)



# Wilson Electronics Corp.

4288 SO. POLARIS • LAS VEGAS • NEVADA • 89103 • (702) 739-1931 • TELEX 684-522



# WHY WAIT???

## BE ON THE AIR NOW WITH A Wilson Electronics Corp.

### HAND HELD

Wilson 2 meter Hand Held radios . . . The dependable ones . . . proven performance for the discriminating Ham who insists on quality and value.

#### 1405 SM

- 6 Channel Operation
- Individual Trimmers on all TX/RX Crystals
- All Crystals Plug In
- 12 KHz Ceramic Filter
- 10.7 and 455 KHz IF
- .3 Microvolt Sensitivity for 20 dB Quieting
- Weight: 1 lb. 4 oz. less Battery
- Battery Indicator
- Size: 8 7/8 x 1 3/4 x 2 7/8
- Switchable 1 & 5 Watts Minimum Output @ 12 VDC
- Current Drain: RX 25 MA TX 400 MA (lw) 900 MA (5W)
- Microswitch Speaker Mic
- Unbreakable Lexan® Case



Shown with  
Optional  
Leather Case



BC-2 NI-CAD BATTERY CHARGER WITH REGULAR AND TRICKLE CHARGE FEATURE

**\$249<sup>95</sup>**

1405SM  
HAND HELD  
5 WATT  
TRANSCEIVER  
144-148 MHz

Two models are available: the 2.5 watt model 1402SM, and the switchable 1 watt or 5 watt model 1405SM . . . options include Touch-Tone Pad, Battery Charger, Battery Packs, Speaker Mike, Leather Case, and Tone options.

Join the thousands of amateurs now using Wilson . . . the radio that goes where you do.

**FAST DELIVERY!!**

EACH RADIO INCLUDES:

- Flex Antenna
- 52/52 Xtal

#### 1402 SM

- 6 Channel Operation
- Individual Trimmers on all TX/RX Crystals
- All Crystals Plug In
- 12 KHz Ceramic Filter
- 10.7 IF and 455 KHz IF
- .3 Microvolt Sensitivity for 20 dB Quieting
- Weight: 1 lb. 4 oz. less Battery
- 5-Meter/Battery Indicator
- Size: 8 7/8 x 1 7/8 x 2 7/8
- 2.5 Watts Minimum Output @ 12 VDC
- Current Drain RX 25 MA TX 500 MA
- Microswitch Speaker Mic
- High Impact Plastic Case

Can be Modified  
for  
MARS or CAP

90  
Day  
Warranty

OVER 35,000  
XTALS  
IN STOCK

10 Day  
Money Back  
Guarantee

1402SM  
HAND HELD  
2.5 WATT  
TRANSCEIVER  
144-148 MHz

**\$179<sup>95</sup>**



Shown With  
Optional  
Touch-Tone Pad

USE THIS DIRECT ORDER FORM IF NOT AVAILABLE FROM LOCAL DEALER

- \* \* \* \* \*
- \* \_\_\_1402 SM @ \$179.95
- \* \_\_\_1405 SM @ 249.95
- \* \_\_\_2202 SM @ 249.95
- \* \_\_\_4502 SM @ 299.95
- \* \_\_\_BC-2 @ 39.95
- \* \_\_\_BP-1 @ 16.95
- \* \_\_\_BT-1 @ 6.75
- \* \_\_\_LC-1 @ 14.95
- \* \_\_\_LC-2 @ 14.95
- \* \_\_\_SM-2 @ 26.95
- \* \_\_\_TE-1 \* @ 59.95
- \* \_\_\_TE-2 \* @ 100.00
- \* \_\_\_TT-P @ 59.95
- \* \_\_\_XF-1 @ 12.95
- \* \_\_\_ Factory XTAL Installation Netting @ \$7.50/Radio
- \* \* Specify Frequency
- \* \* \* \* \*

\_\_\_ TX or RX XTALS, All Common Repeater Freq. 146-148 at \$4.25 ea.  
\_\_\_ All other 2M, 220, 450, MARS or CAP XTALS at \$10.00 ea.

FOB factory — add \$5 per order for UPS shipping and handling.  
Nevada Residents add Sales Tax

Please Equip Transceivers as  
As Follows

	XTALS RX	XTALS RX
A		
B		
C		
D		
E		
F		

\* \* \* \* \*

\* Amount Enclosed \$ \_\_\_\_\_  Check  Money Order

\* Card # \_\_\_\_\_  BAC  Master Charge

\* Name \_\_\_\_\_ Exp. Date: \_\_\_\_\_

\* Address \_\_\_\_\_

\* City \_\_\_\_\_

\* State \_\_\_\_\_ Zip \_\_\_\_\_

\* Phone AC \_\_\_\_\_

\* Signature \_\_\_\_\_

\* \* \* \* \*

**WILSON ELECTRONICS CORP.**

4288 SO. POLARIS • LAS VEGAS • NEVADA • 89103

Valid March 31, 1977

# the polarization duplexer — a polaplexer

The polaplexer combines  
orthogonally-polarized  
signals  
from receiver  
and transmitter  
to permit  
full duplex operation

The polaplexer is a coined name for the POLARization-diPLEXER used by the San Bernardino Microwave Society (SBMS) to provide isolation between a microwave transmitter and receiver. This method uses the transmitter as the receiver local oscillator, thereby economizing on microwave sources. The polaplexer allows duplex communications (simultaneous transmission and reception) with minimum power loss. The use of the polaplexer within the complete communications system has been covered in past articles.<sup>1,2,3</sup>

The polaplexer uses circular waveguide as a transmission line, supporting orthogonal (at right angles) polarization for transmitting and receiving. In use, the polarizations are neither vertical nor horizontal, but at angles of 45 degrees to the vertical. The standard in use by the SBMS is that the polarization of the transmitted wave from all antennas is 45 degrees to the right, looking in the direction of transmission; the polarization of the received signal, orthogonal or at right angles to the transmitted signal, is 45 degrees to the left, looking in the direction of the other station. It can be seen in fig. 1 that at the receiving site the signal coming from the

distant transmitter will be polarized properly to be intercepted.

## waveguides and polaplexers

The circular waveguide used for construction of the polaplexer does not have to be silvered brass. Ordinary tin cans can be used if they have the proper diameter. The circular waveguide can be used as a feedhorn for a parabolic reflector or used to excite a circular horn. As will be shown, the circular waveguide must be within a proper size range for the frequency being used. The polaplexer operates in the dominant circular waveguide mode known as the  $TE_{11}$  mode; the field configuration is shown in fig. 2. In order not to excite other waveguide modes, the waveguide diameter must be selected to exclude other modes. The waveguide size must be such that it will sustain propagation above the cutoff frequency of the  $TE_{11}$  waveguide mode and below the cutoff frequency of the next higher  $TM_{01}$  mode. The cutoff frequency is that frequency below which the attenuation of the waveguide, to that particular mode, increases at a rate which makes the waveguide useless except as an attenuator. To support the desirable  $TE_{11}$  mode in circular waveguide the cutoff frequency,  $f_c$ , is defined by

$$f_c(TE_{11}) = \frac{175698.51}{d(mm)} = \frac{6917.26}{d(inches)} \quad (1)$$

where

$$f_c = \text{cutoff frequency in MHz for } TE_{11} \text{ mode}$$
$$d = \text{waveguide inside diameter}$$

The  $TM_{01}$  mode can be supported in circular waveguide whose cutoff frequency is defined by

$$f_c(TM_{01}) = \frac{229485.13}{d(mm)} = \frac{9034.85}{d(inches)} \quad (2)$$

Another term that will be used in calculations is guide wavelength,  $\lambda_g$ . The wavelength in a circular waveguide always exceeds the free-space wavelength and is related

By George Tillitson, K6MBL, San Bernardino Microwave Society, Inc., 1080 Sapphite Lane, Corona, California 91720

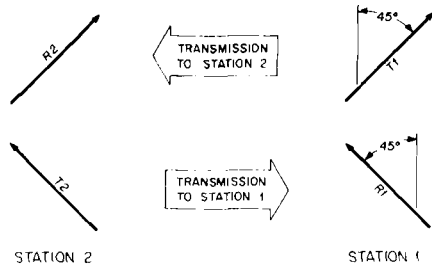


fig. 1. Polarization standards adopted by the San Bernardino Microwave Society.

to the cutoff frequency and operating frequency by the following equation

$$\lambda_g = \frac{299792.5(mm)}{\sqrt{f_o^2 - f_c^2}} = \frac{11802.85(inches)}{\sqrt{f_o^2 - f_c^2}} \quad (3)$$

where

- $\lambda_g$  = guide wavelength
- $f_o$  = operating frequency
- $f_c$  =  $TE_{11}$  waveguide cutoff frequency

In practice two operating frequencies are used, separated by the i-f frequency. The operating frequency should be the geometric mean of the two operating frequencies or

$$f_o = \sqrt{f_{o1}f_{o2}} \quad (4)$$

where

- $f_o$  = mean operating frequency
- $f_{o1}$  = lower communications frequency
- $f_{o2}$  = upper communications frequency

Substituting the second equation into the first,

$$\lambda_g = \frac{299792.5(mm)}{\sqrt{f_{o1}f_{o2} - f_c^2}} = \frac{11802.85(inches)}{\sqrt{f_{o1}f_{o2} - f_c^2}} \quad (5)$$

### probes

Since many of our microwave devices have coaxial terminations, we must have a transition from coaxial (TEM mode) to the circular waveguide  $TE_{11}$  mode. This can be accomplished by inserting a  $1/4$ -wavelength ground plane or probe. It should be placed  $1/4$ -guide wavelength from the closed end of the waveguide as shown in fig. 3.

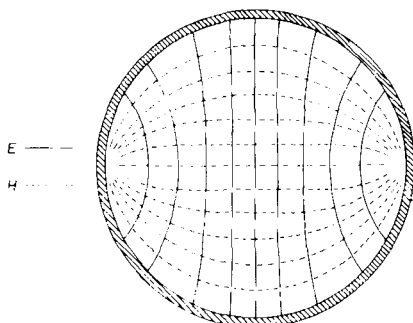


fig. 2.  $TE_{11}$  field configuration in circular waveguides.

In the polaplexer, the transmitter and receiver terminations are orthogonal. If they were both placed  $1/4$ -guide wavelength from the closed end of the polaplexer, they would touch. Further, even if they had no physical contact, the close proximity would reduce the desired isolation between them. Fortunately, in a transmission line impedances repeat each  $1/2$  wavelength along the line. If the orthogonal coaxial-to-waveguide transition is placed  $1/2$ -guide wavelength toward the open end of the circular waveguide from the other transition, both polarizations can be excited in the waveguide with 20 to 40 dB isolation between them. Fig. 4 depicts the orthogonal transition.

To make the basic polaplexer complete, a method of controlled injection of the transmitter signal into the receiver input must be devised because the transmitter is used as the receiver local oscillator. The first thought might be to place an injection screw halfway between the two orthogonal probes. Wrong! Well, half wrong anyway. Halfway between the two probes is  $1/2$ -guide wavelengths from the closed end of the waveguide. The injection screw will do little more at this location than isolate the inboard probe. Therefore, the injection screw

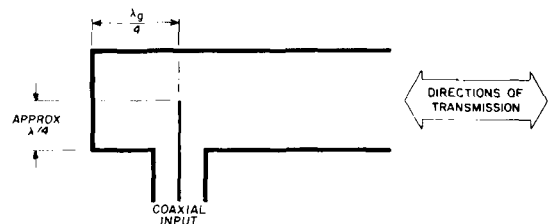


fig. 3. Circular waveguide to coaxial transition.

should be placed  $1/3$ -wavelength (spacing arbitrary on my part) from the closed end of the waveguide at an angle which bisects the orthogonal probe polarizations. The designer has a choice of equally effective locations to select from.

### polaplexer design

The total length of the polaplexer should approach an odd number of quarter-guide wavelengths. This will provide the best impedance match within the waveguide. A waveguide that is not perfectly matched becomes a form of a resonant transmission line. If you assume you have a resonant transmission line and design the polaplexer length with this in mind, you cannot go wrong, even if you operate with a 1.00:1 vswr.

It will be shown that, using the three equations presented previously, a can with an inside diameter of  $2-9/16$  inches (about 2.56 inches or 65.0 mm) can be used as a polaplexer for the 3300-MHz amateur microwave band. First, the cutoff frequency for the  $TE_{11}$  mode is

$$f_c = \frac{175698.51}{65.0} = 2699.4 \text{ MHz}$$

That tells us the waveguide will support the  $TE_{11}$

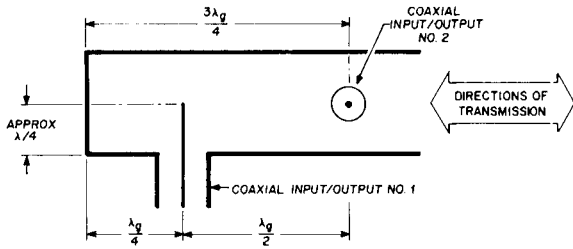


fig. 4. Circular waveguide with orthogonal coaxial inputs.

mode above 2700 MHz. Second, the cutoff frequency for the  $TM_{01}$  mode is

$$f_c = \frac{229485.13}{65.0} = 3525.8 \text{ MHz}$$

This tells us that if we operate below 3525 MHz we will not excite the  $TM_{01}$  waveguide mode. The third important parameter is guide wavelength. The 3300-MHz operating frequencies in southern California are 3335 MHz and 3365 MHz. Applying these and the  $TE_{11}$  mode cutoff frequency to eq. 5 we obtain

$$\lambda_g = \frac{299792.5}{\sqrt{3335 \cdot 3365 - (2699.42)^2}} = 151.1 \text{ mm} \\ = 5.95 \text{ inches}$$

The dimensions needed to design a polaplexer are

- $1/4 \lambda_g = 37.8 \text{ mm} = 1.49 \text{ inches}$
- $3/4 \lambda_g = 113.3 \text{ mm} = 4.46 \text{ inches}$
- $5/4 \lambda_g = 188.9 \text{ mm} = 7.44 \text{ inches}$
- $7/4 \lambda_g = 264.5 \text{ mm} = 10.41 \text{ inches}$
- $1/3 \lambda_g = 50.4 \text{ mm} = 1.98 \text{ inches}$

Since the  $7/4 \cdot \lambda_g$  length is a bit long, the  $5/4 \cdot \lambda_g$  polaplexer length should be selected as a goal. The actual construction of a polaplexer is usually custom designed for and by the individual dependent upon the designer's resources. One configuration that I have used, on both

the 3300 and 5700-MHz amateur bands, is illustrated in fig. 5.

One problem facing the polaplexer designer who uses simple probe injection is the probe length. An empirical equation that I have used successfully is

$$\ell = \frac{74948.13 (1 + P - \sqrt{P})}{f_o} \text{ (mm)}$$

$$\ell = \frac{2950.71 (1 + P - \sqrt{P})}{f_o} \text{ (inches)} \quad (6)$$

where

- $\ell$  = probe length
- $f_o$  = mean operating frequency
- $P$  = periphery of probe
- $= \frac{\pi D}{\lambda_o}$  for circular cross section
- $D$  = probe diameter

For example, assume the probe to be a no. 18 AWG (1mm) copper wire and the operating band to be 3300 MHz. The wire diameter is 1.0 mm (0.0403 in.). The operating wavelength is

$$\lambda_o = \frac{299792.5}{f_o} \text{ (mm)} = \frac{11802.85}{f_o} \text{ (inches)} \\ = \frac{299792.5}{\sqrt{3335 \cdot 3365}} = 89.5 \text{ mm} = 3.52 \text{ inches}$$

The periphery of the probe is

$$P = \frac{\pi D}{\lambda_o} = \frac{\pi \cdot 1.0}{89.5} = 0.035$$

The length therefore is

$$\ell = \frac{74948.13 (1 + 0.0359 - \sqrt{0.0359})}{\sqrt{3335 \cdot 3365}} \\ = 18.9357 \text{ mm} = 0.7455 \text{ inches}$$

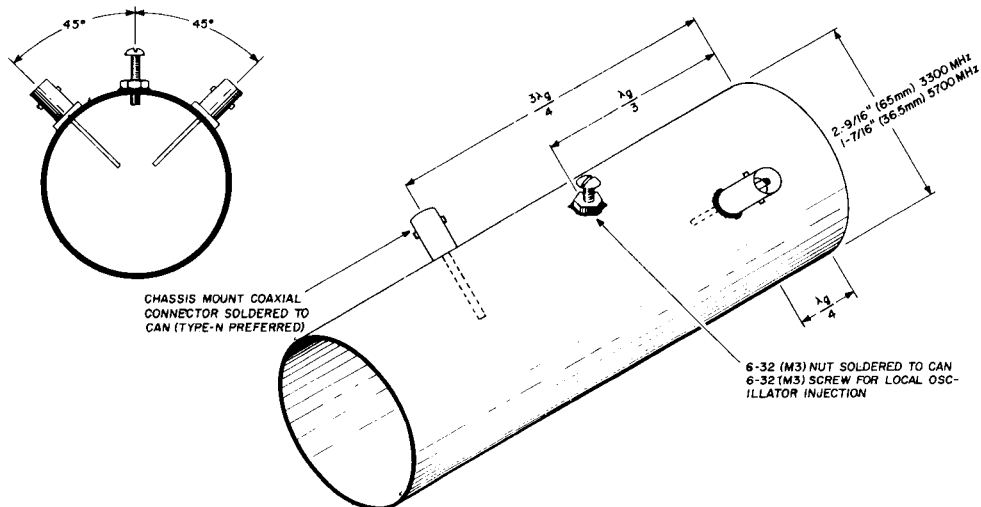


fig. 5. Typical polaplexer showing layout and dimensions of principle parts.

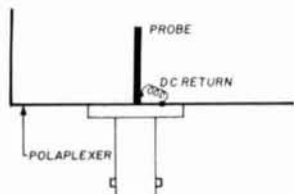


fig. 7. Ground return for the receiver port in a polaplexer. The coil is 3 or 4 turns no. 30 AWG (0.25mm) wound over a piece of no. 20 AWG (0.8mm) wire as a coil form. The coil is soldered to the probe and the side of the polaplexer after removing the coil form.

### mixers

There are many methods of providing a satisfactory transition from the coaxial TEM mode to the circular waveguide  $TE_{11}$  mode. The method illustrated in fig. 5 is perhaps the simplest. However, it has the disadvantage of not providing the necessary dc return for a simple crystal mixer. I prefer using a coaxial-crystal mixer that provides the dc return with a tunable stub. Although the many and varied means of providing a dc return for a crystal mixer are beyond the scope of this effort, one method which I have used is shown in fig. 6. It provides a complete tunable mixer assembly. The BNC output subassembly was obtained from a surplus rectangular-waveguide mixer assembly and includes the necessary microwave-bypass capacitor to provide efficient conversion. The insulator in fig. 6 is the capacitor dielectric.

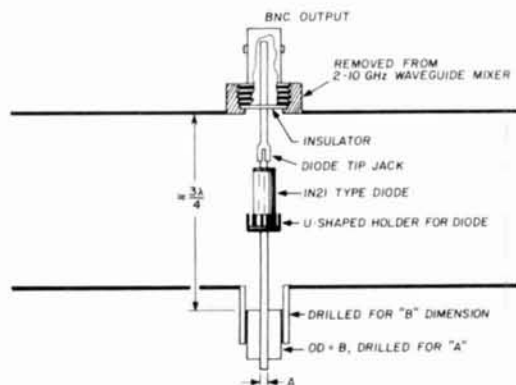


fig. 6. Coaxial crystal mixer.

The actual sizes of the adjustable short are left up to you and your own resources. The tolerances should be close. The center adjustment (identified by dimension B) could be threaded if desired and locking hardware used to maintain the adjustment once optimized. The crystal can be any good IN21-type crystal diode.

### references

1. Richard Kolbly, K6HIJ, "Standards for Amateur Microwave Communications," *ham radio*, September, 1969, page 54.
2. Richard Kolbly, K6HIJ, "A Low Cost Amateur Microwave Antenna," *ham radio*, November, 1969, page 52.
3. Richard Kolbly, K6HIJ, and Ed Munn, W6OYJ, "Microwave DX - California Style," *QST*, September, 1970, page 88.

ham radio



## Amateur Radio's New Fun Magazine

*A Brand New Concept  
written and edited  
with you in mind.*

Ham Radio HORIZONS is a completely different idea, dedicated to the Beginner and Novice yet put together in a way that everyone will enjoy. In fact this is the first Amateur Magazine that will even appeal to the non-Amateur members of the family.

Each month Ham Radio HORIZONS will be stressing the FUN side of our hobby — working DX, winning contests, improving your station, earning awards and upgrading your license. We'll be showing you how to get started in Amateur Radio, the most fascinating of all hobbies. You name it, Ham Radio HORIZONS will cover it and we'll do it in an easy to understand easy to enjoy manner.

Ham Radio HORIZONS is put together by the most experienced and capable team of Amateurs in the field, experts who know how to relate their experiences in an irresistible and exciting way — and just for you. You'll like Ham Radio HORIZONS.

Amateur Radio is really on the move in 1977 and Ham Radio HORIZONS is committed to taking a leadership position in the rapidly expanding, forward looking radio service that we are all so lucky to share. A lot's going to happen and Ham Radio HORIZONS will be right there in the middle of it all!

We're promising you the most exciting year of Amateur Radio reading you ever had. Try a subscription and if you don't completely agree we'll gladly refund the unused portion of your subscription at any time.

**HAM RADIO  
HORIZONS**

Greenville, NH 03048

Please sign me up for a one year (12 issue) subscription to Ham Radio HORIZONS.

Name: \_\_\_\_\_

Address: \_\_\_\_\_

City: \_\_\_\_\_

State: \_\_\_\_\_ Zip: \_\_\_\_\_

Enclosed is check or money order for \$10.00

Please charge my BankAmericard.

Please charge my Mastercharge Account.

Card No. \_\_\_\_\_ Expiration date \_\_\_\_\_

Bank No. (M/C only) \_\_\_\_\_

Use your card or pay now and get an extra issue free.

Bill me later.

# 24-hour clock

## with digital readout and line-frequency time base

Complete  
construction details  
for a four-digit clock  
which uses a total  
of six ICs

During recent visits to other amateur stations, I noticed the increased use of electronic digital displays. These range from displays on very expensive transceivers, both hf and vhf, to frequency counters, clocks, voltmeters, thermometers, and even one that converts received CW signals to an alphanumeric display. Some even contain lighting that simulates a digital readout!

### the digital clock

Returning to my station and looking at the old reliable HT-37 and its companion receiver made me feel that something was lacking. However, the price tags on some of the newer gear made my equipment seem more acceptable. Still these electronic displays really caught

my fancy — I *had* to have a piece of digital-display gear!

After some thought I came up with some requirements. My first digital display project had to be low in cost, simple, and small, in that order. My old 24-hour clock had given up the ghost after four years of faithful but loud service, so I decided on a digital clock for a first project. I'd seen a number of articles on digital clocks. These were not overly complex, but the component count was high, with many discrete components required in the display circuits. Most of these designs used a crystal time base operating at a high frequency and required a long countdown chain to divide the high-frequency signal to the frequency required by the clock circuit. To keep the component count down I looked into the use of the 60-Hz frequency as a time base. I found that, because of the power grid system used by the power companies to maintain the 60-Hz frequency, the clock accuracy over a long period would be nearly as good as that using a crystal time base. The short-term accuracy of the crystal system is better, but for a 24-hour clock for amateur use the 60-Hz line is a very good choice.

The next area for component reduction was the display system and the drivers usually associated with it. Most circuits use 11 driver transistors and as many as 22 resistors. After a little looking I found some display units that require only a simple four-line BCD input. The component count was coming down fast! You've all seen ads for the "Clock on a Chip," but a close look shows that it takes much more than just a chip. After some reading, shopping, and two evenings of wiring I got the clock down to two chips and no discrete transistors. Nothing fancy, but it functions well, is very easy to build, and looks great.

By Ken Powell, WB6AFT, 6949 Lenwood Way, San Jose, California 95120

The heart of the unit is the MM5312 IC (fig. 1). The internal functions of this chip are quite complex, but basically the chip divides the 60-Hz line frequency to one pulse per minute and advances its internal storage register at that rate. The output of that register is available in binary form at pins 1, 2, 3, and 24. The outputs are synchronized with the digit-enable outputs, pins 18, 19, 20 and 21. The coincidence of these signals allows you to apply the binary data to all four displays in parallel, with the digit-enable lines controlling which display accepts data at the correct time. This scheme minimizes the number of output lines required to operate the display. The second IC is a type SN7404N inverter. This chip converts the MM5312 binary output data to a TTL level for operation of the display units.

The display units actually contain ICs that store and decode the data and drive the LEDs that form the digital display. The displays have a blanking input, which we use to control their intensity in this application.

The power supply furnishes +5 and -12 volts to operate the circuitry and furnishes a 60-Hz reference for the clock chip through the 0.1 Meg resistor to pin 16 of U1. Zener-diode regulation maintains the output levels.

## construction

The digital clock was built using perf board and wire-wrap techniques since the circuit contains only two ICs. The perf-board and wire-wrap technique is fast and easy; best of all it is very forgiving. If you make an error or want to change a circuit, simply remove the wire and wrap on a new lead. The tool required for this technique is available from the source shown in the parts list, table 1. Number 30 AWG (0.25mm) wire is used with the wire-wrap tool, Strip insulation back about one inch (25mm) insert the wire into the tool, and place the tool over the pin to be wrapped. Turn the tool clockwise until the wrap is complete. This method provides excellent connections of the type used in many large-scale computer systems.

Layout and wire routing is not critical and any packaging scheme you might desire could be used. I cut a piece of perf-board slightly smaller than the inside dimensions of the case, then I cut a second piece of board large enough to hold the single socket used for the four displays. The smaller display board was then epoxied to the front edge of the larger board to form a right angle for the display, as shown in fig. 4. The

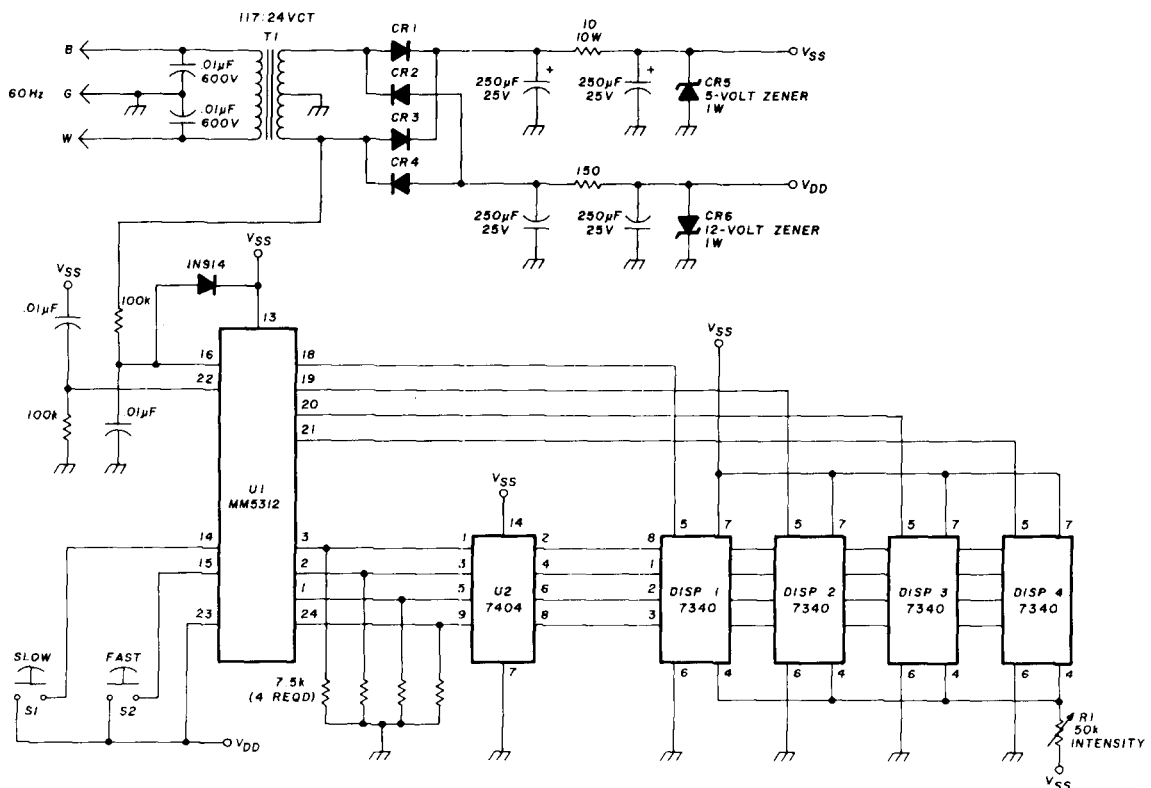


fig. 1. Schematic of the 24-hour digital-display clock including power supply. Resistors are 1/2 watt and capacitors are 50 volts or greater unless indicated otherwise.

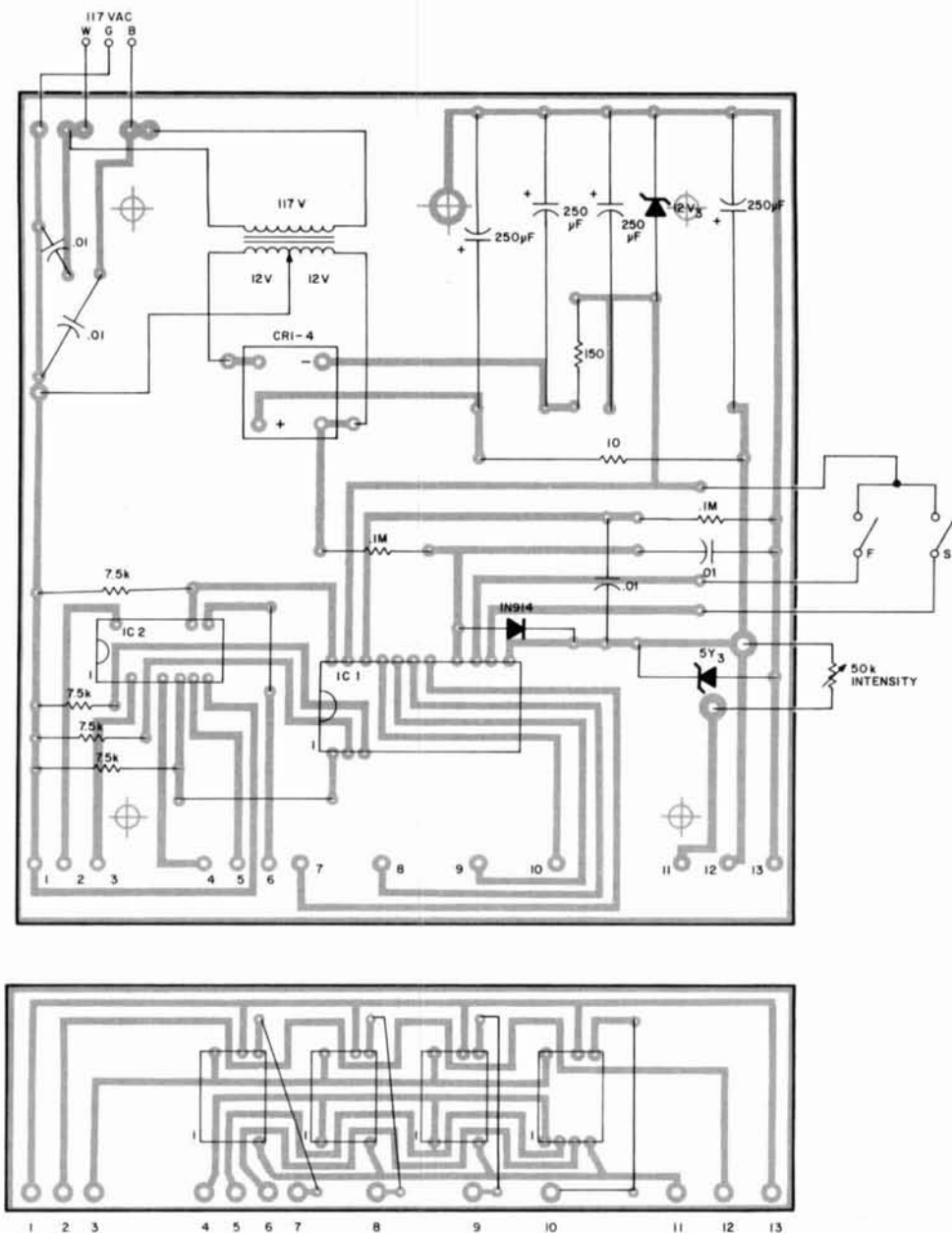


fig. 2. Top view of the circuit board showing parts placement, and external wiring.

display and IC sockets were mounted next. Fig. 5 shows pin layout and other useful information for the ICs and display devices.

The discrete component leads were bent at right angles and inserted into the board near their respective connection points. A drop of household cement will hold the discrete components to the board and make wiring easy. The wire wrap can be used on small-diameter component leads as well as on the socket pins; however, on the round leads of the resistors and capaci-

tors it will pay you to put a little solder on the connection after wrapping to prevent intermittents later on. The larger leads, which are too large in diameter for wrapping, can be hand wired with the no. 30 AWG (0.25mm) wire, then soldered. After mounting all the components on the board the wiring can be completed in accordance with fig. 1. The leads for the fast and slow set switches and the dimmer control can be dressed out of the board and connected to their respective components after the board is mounted in the case. The board



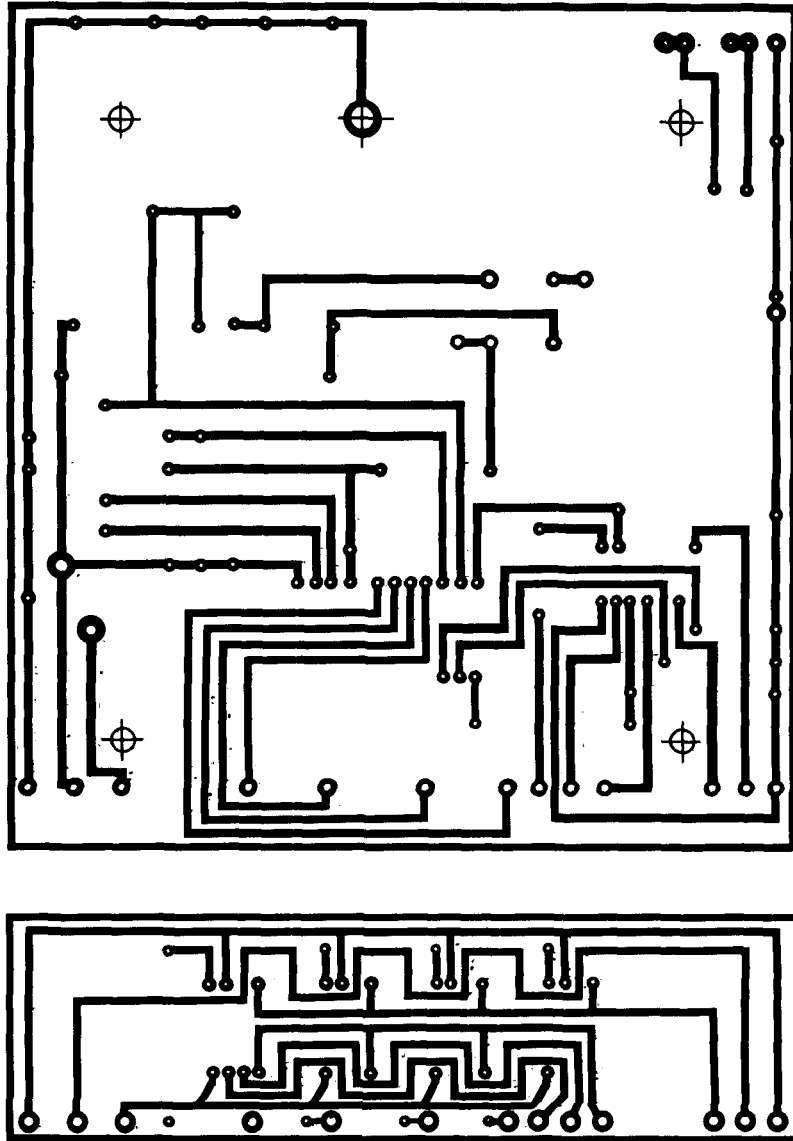


fig. 3. View of the circuit board from the foil side.

table 1. Component list for the digital clock using perf-board and wire-wrap construction. Numbers in parentheses refer to product sources.

U1	National MM5312N (3,5)	Socket, Display	SSS 41-38934
U2	Texas Inst. SN7404N (2,5)	Case	270-253 (2)
Display 1-4	Hewlett Packard 5082-7340 (4)	Perf board	SSS 22-44062 (1) or 276-1583 (2)
T1	SSS 11-08180 (1) or 273-1480 (2)	Wrap Tool	SSS 43-18160 (1)
S1, S2	275-1547 (2)	Bezel	915-60 (6)
R1	271-1716 (2)	<b>product sources</b>	
CR1-4	276-1146 (2)	(1) Solid State Systems, Box 773, Columbia, Missouri 65201.	
CR5	276-561 (2)	(2) Radio Shack Stores.	
CR6	276-563 (2)	(3) Poly-Paks, Box 942, Lynfield, Massachusetts 01940.	
Socket U1	SSS 41-38964 (1)	(4) Tinkers Electronics, 805D Union Ave., Los Gatos, California 95100.	
Socket U2	SSS 41-38974 (1)	(5) International Electronics Unlimited, Box 1708, Monterey, California 93940.	
		(6) Tracy Design, 15870 Schaefer, Detroit, Michigan 48227.	

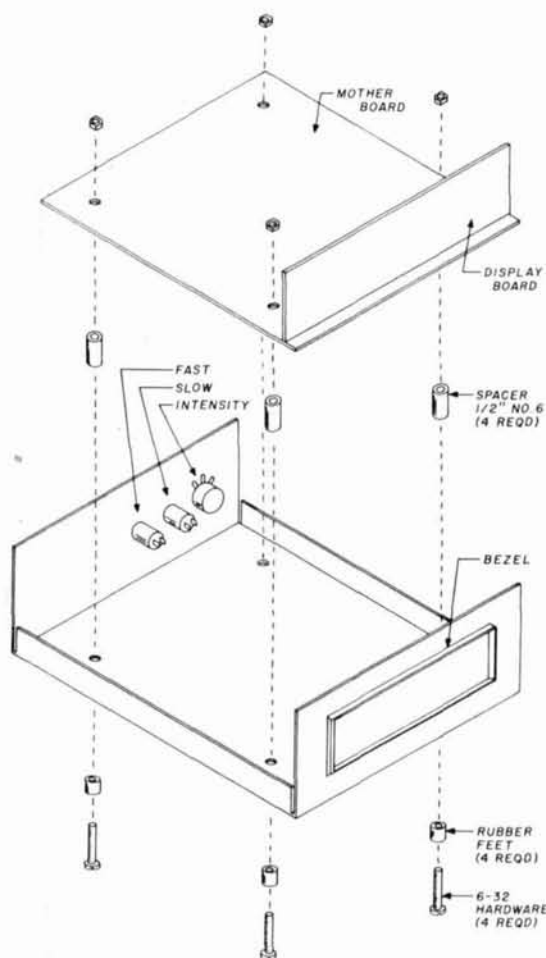


fig. 4. Isometric of the 24-hour clock showing assembly details.

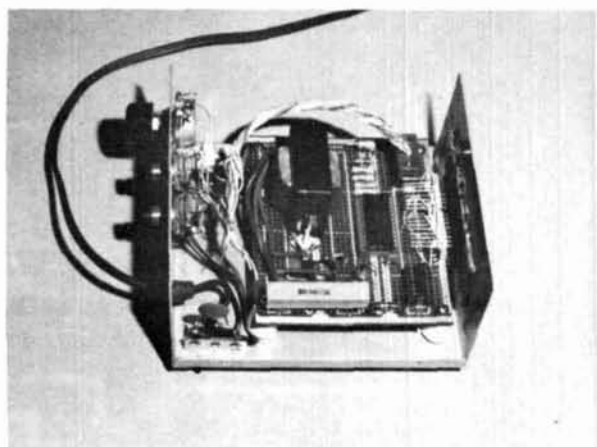
was supported from the bottom of the case with four spacers.

### checkout

After completing the wiring and before installing the ICs and displays, check the wiring against the schematic. The 0.100-inch (2.5mm) centers on the IC pins are very close and can be counted incorrectly quite easily. If all checks out well, plug in the ICs and the display units, apply power and give the circuit a smoke test. The initial display will probably scare you as some very odd configurations can appear before setting the correct time. The time is set by pressing the fast and slow set switches. The fast-set switch advances the clock at the rate of one hour per second. The slow-set switch advances the clock at the rate of one minute per second. Once set, you should have a very accurate 24-hour clock.

### conclusion

This project is a good starter in the transition from working with 807s to new gadgets like ICs and digital electronic displays, since the circuit requires no adjustment or elaborate test equipment. Parts are available at modest cost with a little shopping around, and the finished unit is a functional adjunct to your station. In



Top view of the 24-hour digital-display clock with case removed.

shopping around for the display units I found that the reverse sides of the units had been painted black to obscure the HP part numbers, but holding the units up to the light made the part numbers easily readable. I found two other types of HP displays that also work in this unit, types 5082-7300 and 5082-7302. If these are used, pin 4 on each display must be grounded and the dimmer control eliminated. Devices that are functionally identical to the HP units can also be found under other manufacturer's part numbers.

If you're interested in the technical aspects of the ICs used in the clock, you should request data sheets when you purchase the ICs. The data sheets provide a very

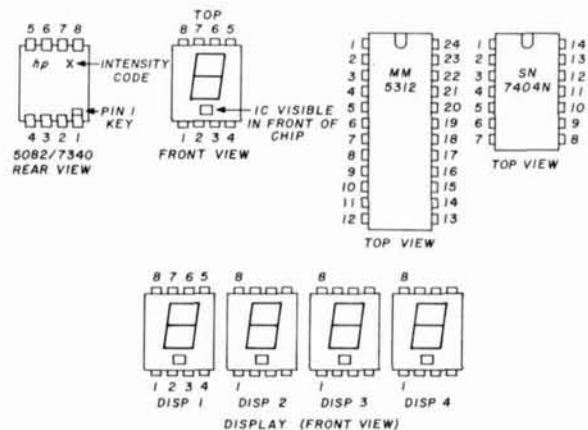


fig. 5. Pin numbers of the ICs and display LEDs used in the 24-hour clock.

thorough explanation of the internal chip functions as well as very good application notes.

This project has been a lot of fun and very educational. It has really stirred up my interest in digital techniques. What's on the work bench now? A frequency counter built in the same-size case as the clock. "Old Reliable" may soon have a digital dial.

ham radio

# audible S-meter for repeaters

More audio tones  
on the repeater —  
this time they indicate  
signal strength

The **audible S-meter** can be used to check transmitter performance, antenna comparisons, site testing and so on, whenever relative signal levels are required. This unit, when connected to a repeater, will add a tone-burst shortly after the input signal has dropped out. During the "tail," the pitch of the tone indicates the strength of the preceding received signal. The S-meter can be built entirely from junk-box type components. In addition to the normal results, it adds a new experimental facility to any repeater.

## the repeater tail

Most fm repeaters have a "tail" period — the over run or run on time of the transmitter after the input signal has dropped out. It is assumed that the tail period is noise-free, *i.e.*, an unmodulated carrier. This time can be used to accommodate a toneburst or "beep" to telemeter the repeater receiver S-meter reading back to the original station.

The beep generated by this audible S-meter unit is about 60 milliseconds long — about the length of a time-signal "pip." It is long enough for the pitch of the signal to be understood and used, though not long enough to be annoying. It is possible to adjust the amplitude of the beep from zero to full deviation. The time delay between the input signal going off and the tone can also be adjusted from zero to about seven seconds, again to suit the requirements of the particular repeater.

The pitch of the resulting beep varies with the strength of the incoming signal. A high-pitched beep (3500 Hz) represents a weak signal, a low-pitched beep (350 Hz) represents a strong input signal. In between signals are reported accordingly. The pitch of the beep therefore varies inversely to signal strength. The high-pitch beep, for weak signals, is more useful to a distant station. If a low-pitch signal had been chosen for this condition it could be lost in the noise. Signal-to-noise considerations influenced the choice of this method of presentation.

This 10-to-1 change in pitch enables users to obtain the information without the necessity of installing accessory equipment to decode the beep. The human ear is quite good at sensing relative tones and the use of this unit is learned very quickly. Once installed, talk of its removal is soon squashed!

The audible S-meter has been installed at the Mount Climie Channel C repeater in New Zealand for some time and has been found to be very useful. Each beep was purposely timed to be 3 seconds into the tail and serves the additional purpose of setting a 3-second gap between stations to permit emergency or priority traffic time to break in between ordinary ham conversations. This 3-second delay is a local operating custom. The design can be modified to suit the requirements of other repeater groups and other regulatory bodies. It is described here in the hope that it may give inspiration to other experimenters.

## the repeater receiver

An S-meter must already be available at the repeater receiver. Just what form this takes will vary from repeater to repeater. This unit has been built around a receiver using an RCA CA3089E in its tail end — but the idea could be adapted to other receivers. The CA3089E has an S-meter output (called a "tuning indicator" on the data sheet) at pin 13. A 33k resistor and a 300  $\mu$ A meter are normally connected to act as a tuning indicator. A switch changes the output over to the audible encoder as shown in the schematic, **fig. 1**.

Transistor Q1 is a dc amplifier, with its operating conditions and gain adjusted by R1 and R2. Q2 is an

By Fred Johnson, ZL2AMJ, 15 Field Street, Upper Hutt, New Zealand

emitter follower, that provides a low-impedance charging circuit from its emitter to fast charge C1 (the memory capacitor) via diode CR1. A memory is necessary to store the information and hold it ready for broadcast after the input signal has gone off. Diode CR1 is

A tone-burst has to be generated from this continuous tone. Q8 acts as a clamp across C6 and prevents the audio oscillator from running constantly. The base of Q8 is forward biased and, as a result, Q8 is normally conducting. This transistor has to be shut off to produce the

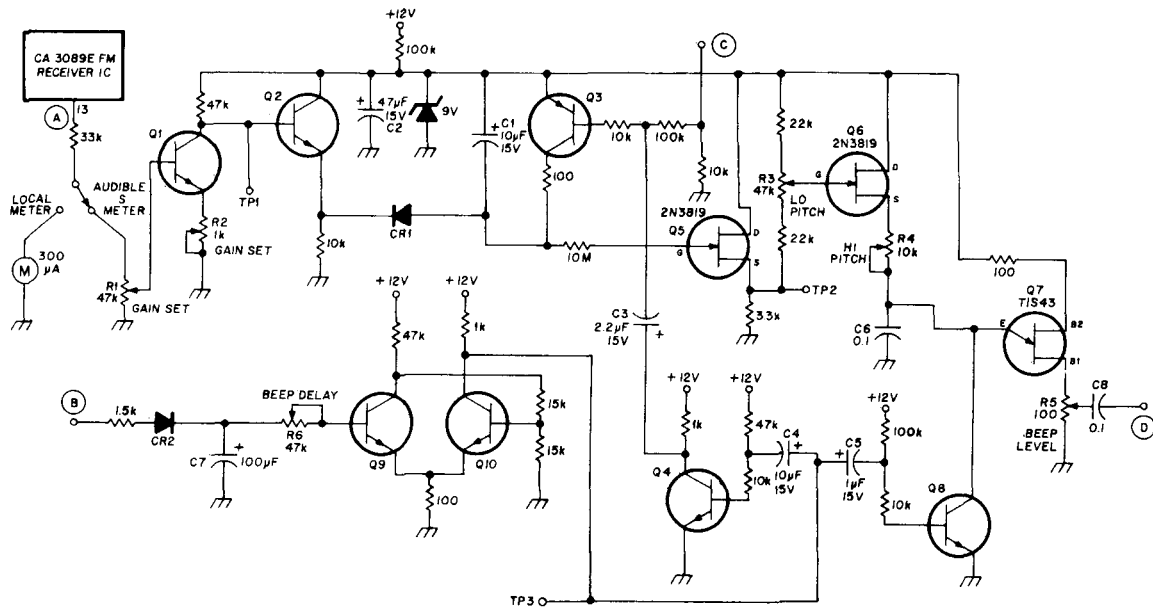


fig. 1. Schematic diagram of the audible S-meter. Input B is connected to the squelch circuit. Point C is connected to a source of +12 volts that indicates when the transmitter is on. The tone output is available at point D. Changing the value of C5 will alter the length of the time "beep." Unless otherwise indicated the transistor types are discussed in the text.

required to prevent the memory capacitor from discharging after the input signal has gone off.

### generating the tone

The voltage across the memory capacitor is "read" by the high impedance electronic voltmeter, Q5, acting as a source follower. Q5 effectively repeats the voltage on the capacitor but at a much lower impedance which can readily be metered for test purposes. The variable resistance of Q6 plus R4 act as the resistor portion of an RC network with C6 as the capacitor. Q7 is a unijunction transistor connected to act as an audio oscillator. The resulting tone from across R5 is applied to the repeater transmitter audio stages. As the effective resistance of Q6 changes, so does the frequency of the tone.

The operation of the unit as an S-meter current-to-audio tone converter can now be seen. Various levels of input current create a voltage across C1 and in turn cause corresponding tones from the audio oscillator. The high and low pitch ends of the audible operating range are set by R3 and R4. The output tone amplitude is controlled by R5. Because there is a standing dc current from pin 13 of the CA3089E, R1 is used to set the operating point of Q1 over the required current range only. R2 acts as a gain adjustment to set the required sensitivity of the system.

beep. This unclamping is achieved by Q9 and Q10 which form a Schmitt trigger circuit.

Lead B is connected to another part of the repeater receiver — the squelch and control system. This input is about +10 volts when a signal is being received and goes to ground immediately after the signal goes off. While the input is being received, C7 charges via CR2 to some positive value. Q9 is therefore conducting and Q10 is held cut-off so TP3 is at a high positive value.

When the received input signal goes off, point B goes to ground and C7 discharges via the base of Q9, maintaining Q9 on for the delay period. When C7 has discharged, as determined by R6, Q9 can no longer hold Q10 cut off and TP3 drops very suddenly to a low positive value, when Q10 starts conducting. This sudden drop is transferred through C5 to cutoff Q8. The tone oscillator can now operate until C5 has discharged. This takes about 60 ms — the beep length. We have now converted our tone into a beep which is of a desired length (selected by C5) and at an adjustable duration during the "tail" (set by R6).

### resetting

One problem remains. Some means must be provided to discharge the memory capacitor after it has been read, so it can recharge each time from the same initial voltage. Two discharge circuits perform this action, with Q3

acting as another clamp. When no receiver input signal is present, it places a short circuit across C1. As the input signal appears, the repeater transmitter turns on and point C goes to 12 volts, thus unclamping Q3. At the end of the tail period, Q3 conducts and discharges C1.

In addition, the negative-going voltage transition at TP3 is applied to Q4, cutting it off. Since Q3 is already unclamped because of the 12 volts on C, the positive pulse that comes through C3 only adds to keeping Q3 unclamped. When C4 has discharged, Q4 will come back into conduction. The negative-going pulse from the collector is transferred through C3 and clamps Q3, thus discharging the memory capacitor.

The two cancellation circuits are necessary to ensure the initial charging conditions of C1 are the same over long periods of time or over periods of little repeater activity, and also to ensure that capacitor C1 is discharged after every beep to allow for those cases where the repeater tail does not drop out before the next station begins transmission. We now have an audible beep which follows and stores the input current value on lead A and automatically resets after each readout.

### construction

Details pertaining to the construction of this unit are not considered to be necessary. It is one of those devices that is unlikely to be attempted by persons not already experienced in the noble art of wielding a soldering iron. The npn and pnp transistor types have purposely not been quoted. There is such a range of suitable substitutes that any one of many would be acceptable. The ones actually used were BC107 and BC177 of European origin. Any small-signal npn and pnp silicon transistors of medium gain should be suitable. Small signal silicon diodes should be used for low leakage.

### general

The unit in effect reads the *maximum* input signal received over a period because it is, in essence, a peak-reading voltmeter. Such an S-meter, relying on a 60 ms beep to send back information, can only operate on a sampling basis anyway. The maximum received strength is perhaps the most useful value to sample. Over a fading path this aspect must be remembered if useful interpretations are to be made. In practice, few problems in this regard occur because path conditions (except for mobile use) are surprisingly constant with fading occurring on a regular basis with each test.

A remote readout unit, that can be connected to transceivers, has been built. This puts the S-meter at an unusual end of the radio link — back at the transmitter where it is probably of much more use! A means of switching the encoder to another receiver at the repeater site for listening to a distant beacon station for propagation studies is also in operation. This too may bear telling at a future time. Meantime, this basic unit lets repeater users learn of their relative signal levels at the repeater receiver. I would like to know of any repeater installations where this or similar units are in use or brought into use as a result of this article.

ham radio



## PORTA-PAK

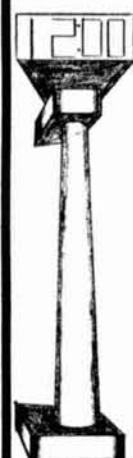
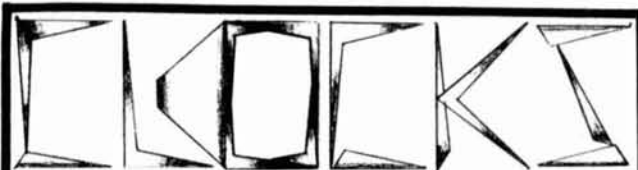
2 BEAUTIFUL PACKAGES IN BASIC BLACK. THE PORTA-PAK CAN BE YOURS FOR MANY PLEASUREABLE HOURS OF HAMMING. THE PORTA-PAK WILL PROVIDE YOU WITH A TOTALLY PORTABLE FM PACKAGE WHEN ATTACHED TO YOUR PRESENT MOBILE RADIO. PORTA-PAKS ARE ATTRACTIVELY FINISHED IN BLACK WHINKLE AND ARE BAKED FOR DURABILITY AND LASTING GOOD LOOKS.

BEAUTY IS NOT ONLY SKIN DEEP. YOU GET MUCH MORE THAN GOOD LOOKS WITH A PORTA-PAK. THE PORTA-PAK IS A TOTALLY PORTABLE PERFORMANCE PACKAGE THAT WILL KEEP YOU IN TOUCH WITH WHAT IS HAPPENING WHETHER YOUR COMMUNICATIONS NEED IS BUSINESS OR PLEASURE. THE PORTA-PAK WILL SATISFY YOUR NEEDS. DELUXE PORTA-PAK HAS 4.5 AMP HR. SUPER PORTA-PAK HAS 9 AMP HR. PORTA-PAK INCLUDES THE CASE, BATTERY, AND CHARGER. GEL-CELL IS THE POWER SOURCE. GC-1245 IN STOCK FOR SAME DAY SHIPMENT: DELUXE \$67.50 + \$1.75 SHIPPING. THE SUPER, \$88.00 + \$2.75. GEL-CELL BATTERY ONLY \$29.20 + \$1.75. RUBBER DUCKIE ANTENNAS \$7.00. L.E.D. BATTERY CONDITION INDICATOR \$5.00.

MODELS IN STOCK INCLUDE: REGENCY HR6 HR28  
BTL BTH MT 25 MT15 MICRO-COM LINE  
GENAVE: ALL MODELS HEATHKIT HW 202  
ICOM 220 AND 22A AND 22 S STANDARD SR-C26-MA

PORTA-PAK, INC. P.O. BOX 67

SOMERS, WI. 53171



6 digit AUTOMOTIVE CLOCK KIT complete with a CRYSTAL TIMEBASE accurate to .01 percent. 12 volts d.c. operation — built in noise suppression and voltage spike protection. Readouts blank when ignition is off — draws 25 mA in standby mode. Has .3 in. readouts. Use it in your car or for all applications where a battery-operated clock is needed. Approximate size 3" x 3.5" x 1.75"

WITH BLACK PLASTIC CASE \$34.95 ppd.  
WITHOUT CASE \$29.95 ppd.  
ASSEMBLED AND TESTED \$45.95 ppd.

CMOS CRYSTAL TIMEBASE KITS with .01 percent accuracy. 5-15 v.d.c. operation. Draws only 3 mA at 12 volts. Single I.C. — very small size — the P.C. board is 7/8" x 1-5/8". Choose a main output of 50 or 100 Hz., 60 Hz., 500 or 1000 Hz., or 1 Hz. Several related frequencies are also available on each board, in addition to the main ones listed above. Be sure to specify the Frequency you want. All kits are \$10.95 ppd.

Flyer available —

**NEXUS**  
TRADING CO.

Box 3357 San Leandro, Ca 94578

# CHOOSE TOP NOTCH RIG PERFORMANCE FROM THIS SHOWCASE OF SWAN METERS.

Swan precision meters are designed and built to help you make sure you're putting out all the watts your rig can deliver.

And Swan meters are priced so low they'll probably pay for themselves in improved rig performance and signal power.



Measure power coming and going. Measure SWR and get maximum power to your antenna. Then get your antenna pattern right by measuring relative radiated power. A one-two power punch at a knockout price. **FS-2 SWR and Field Strength Meter . . . \$15.95**



Easy-on-the-pocket pocket SWR. Mighty mite SWR meter with high accuracy. **SWR-3** Indicates 1:1 to 3:1 SWR at 50 ohms on frequencies from 1.7 to 55 MHz. Precision PC board directional coupler makes it a solid value at a rock-bottom price. **SWR-3 Pocket SWR Meter . . . \$12.95**



At last. A precision wattmeter for the 2-meter man. The upper-band man needs accurate output measurements, too. Now our WM6200 gives them to him with  $\pm 7\%$  accuracy output power at 50 to 150 MHz. Two scales to 200 watts. Reads SWR on expanded range scale.

**WM6200 In-Line Wattmeter . . . . . \$59.95**



SWR bridge bridges the price barrier. This little jewel gives you relative forward power and SWR on two 100 microampere meters at a remarkably low price. Rear mounted coax connectors for easy, neat installation. Capable of handling 1000-watt signals on frequencies from 3.5 to 150 MHz. With low insertion loss, it's great for mobile operations, too. **SWR-1A Relative Power Meter and SWR Bridge . . . . . \$25.95**



**All-the-law-allows in-line wattmeter.** With three scales to 2000 watts, new flat-frequency-response directional coupler for maximum accuracy and a price anybody can afford, this meter has become an amateur radio standard. 3.5 to 30 MHz with expanded range SWR scale.  
**WM2000 In-Line Wattmeter. . \$59.95**



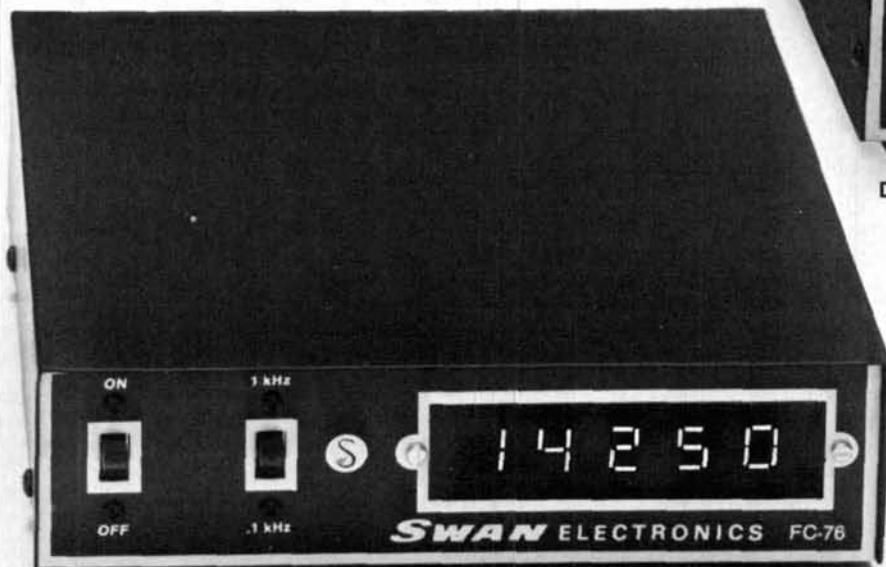
**This wattmeter tells the truth about SSB.** True peak envelope power of your voice modulated signal is what you want to know most about your SSB transmission, and that's where our WM3000 shines. Flat response forward or reflected power from 3.5 to 30 MHz on scales to 2000 watts in RMS or PEAK at the flip of a switch. **WM3000 Peak/RMS Wattmeter . . . . . \$79.95**



**Sniffs out radiated power wherever it is.** This little unit is so compact it could measure relative radiated power in your pocket. Telescoping antenna and a frequency range of 1.5 MHz all the way to 200 MHz.  
**FS-1 Field Strength Meter . . . . \$10.95**



**Double-duty in-line wattmeter.** Use this meter for output power measurement and troubleshooting, too. Better than 10% full scale accuracy from 2 to 30 MHz, and you can go to 50 MHz with only slightly reduced accuracy. Four scales to 1500 watts and selector for forward or reflected power.  
**WM1500 In-Line Wattmeter . . \$74.95**

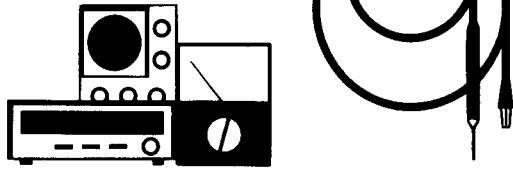


**Put your frequency up in lights.** Perfect tuning and matching don't mean a thing if you're not on frequency. This counter tells the story on big, bright 5-digit LED display. Reads to  $\pm 100$  Hz or  $\pm 1$  kHz between 5 kHz and 40 MHz. Signal levels to 50 millivolts so you can use as a test meter, too. **FC-76 Frequency Counter . . . . . \$169.95**

Use your Swan credit card for any Swan meter Applications at your dealer or write:

**SWAN ELECTRONICS**  
 A subsidiary of Cubic Corporation  
 305 Airport Road • Oceanside, CA 92054 (714) 757-7525

# repair bench



Joe Carr, K4IPV

## basic troubleshooting: is that oscillator running?

Whether the discussion is among amateur or professional troubleshooters, one often-heard question is, "How do you tell if the oscillator is running?" In some cases this question is easy to answer, but in others you must resort to some reasonably clever troubleshooting. This is especially true when some of the possible methods that might be applied could easily cause oscillations to cease, in which case "no" is a hardly useful answer in all instances!

First, let's discuss some aspects of oscillator circuits. All such circuits have two subcircuits as part of their anatomy. These could be called the dc and the ac cir-

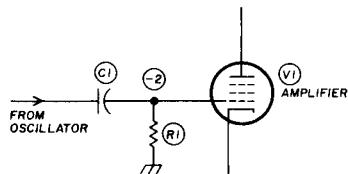


fig. 1. Input circuit found in many small amateur transmitter amplifiers. Negative voltage on the grid of the amplifier tube provides a good indicator of oscillator operation.

uits. In the dc circuit, dc currents flow. The dc circuit includes elements such as bias resistors and emitter or cathode resistors. The ac path, on the other hand, contains feedback elements, crystals, tank circuits, and most (perhaps all) capacitors. These two paths are not mutually exclusive, as ac and dc components exist at many points. At the plate of a vacuum-tube amplifier, for example, a high dc voltage and an ac signal will be found. Similarly, if a stage is shunt fed the rf tank will be common to both ac and dc paths.

The point is that we must be careful when trouble-

By Joseph J. Carr, K4IPV, 5440 South 8th Road, Arlington, Virginia 22204

shooting not to create a situation that gives a false result. Some test procedures, for example, may interfere with the operation or may only be valid for one path or the other.

Certain properties of oscillator circuits exist that cause dc voltages to occur only when the oscillator is running. Consider, for example, a simple grid-leak bias situation as in fig. 1. This is a common circuit of many transmitters of the master-oscillator, power-amplifier type. Assuming oscillator input voltage, the negative voltage on the V1 grid is caused by grid-leak action of R1, C1. Absence of this negative voltage can mean one of three things: R1 open, C1 open, or the oscillator signal is missing. R1 can be checked by measuring its resistance with an ohmmeter. C1 can be also checked using an ohmmeter by following this simple procedure:

1. Disconnect one end from the circuit.
2. Short both capacitor leads briefly; then remove the short.
3. Connect the ohmmeter (-) to one end of the circuit.
4. Touch the ohmmeter probe to the other end of the capacitor.

If the capacitor is good, a brief downscale-flicker of the meter pointer will occur at the instant the probe touches the capacitor free end. The pointer will increase to "infinity" as the capacitor charges. With capacitors less than  $0.001 \mu\text{F}$ , this flicker will be brief and shallow, so you may miss it during the first attempt. This test must be made using the highest-possible ohmmeter scale (X1 megohm is desirable). If the capacitor is leaky the ohmmeter will not return to infinity after the capacitor is charged but will hang at some value. In most circuits, this would have made the voltage at the grid of the amplifier tube positive instead of negative.

### checking variable-frequency oscillators

Many vfo and crystal oscillators will also present a

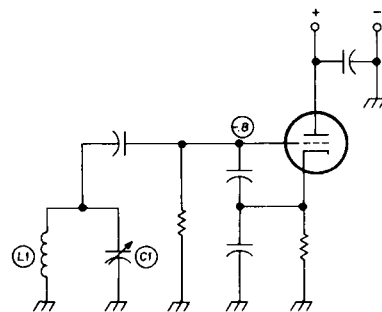


fig. 2. LC-tuned fixed-frequency oscillator. L1, C1 can be short-circuited to check oscillator operation (not recommended for transistor circuits — see text).

negative voltage due to grid-leak action at their own grids. Furthermore, this voltage exists only when the oscillator is running and will vary as the vfo is tuned through its range; what better indicator could you want? Of course, we must expect this variation to be roughly



proportional to frequency change ( $\Delta F$ ). In the vfo of an ssb transceiver, which covers only 250 kHz per band-switch position, we'll find less variation in the dc grid potential than on a general-coverage receiver vfo, which covers a range of about 3.2:1. The variation will, however, be great enough to see on a sensitive dc voltmeter. This indication will tell you whether or not the local oscillator is running. If the stage is not oscillating, the grid voltage may drop to zero or will become a few millivolts positive.

### checking fixed-frequency oscillators

The oscillator grid-bias test is also useful with crystal or LC-tuned fixed-frequency oscillators. In these circuits it's necessary to disable the crystal (or LC tank) and look for an abrupt change in the bias level. Almost anything that will disable the oscillator or cause it to shift frequency by a large amount will do. You might want to try the following:

1. Touch the tank or crystal with a metal screwdriver. (Make *certain* that no high dc potentials exist at this point).
2. Remove power and remove or disconnect the crystal or one of the tank-circuit components.
3. Shunt a large-value capacitor across the crystal or tank. In most oscillators, anything in the range 0.001-0.05  $\mu F$  will do.
4. Place a jumper wire across the crystal or tank circuit. Be certain of the circuit; *know* what current is being shorted and to where it is going. In fig. 2 no damage will result if the tank is shorted to ground; but in at least one version of the Pierce circuit, and in some vfo circuits, this maneuver will cause further damage, especially in transistor circuits. A rule of thumb is: Avoid this method if B+, cathode, emitter, or base voltages share a common terminal with the crystal or tank.

Of these four methods, I prefer either 2 or 3 as those least fraught with danger. If any of these methods produces a sudden shift in or loss of the negative bias

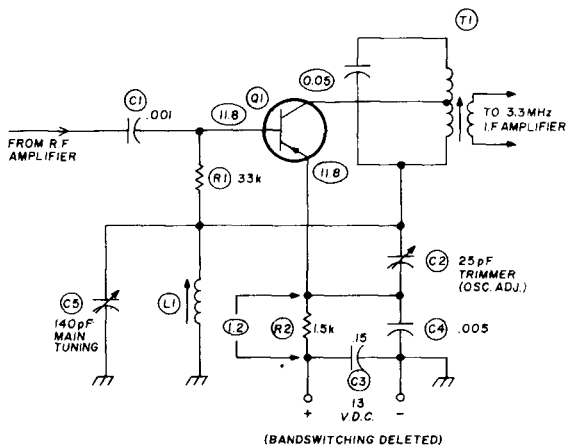


fig. 3. General-coverage receiver converter vfo circuit. Such circuits can be checked by observing changes in emitter-to-base voltage.

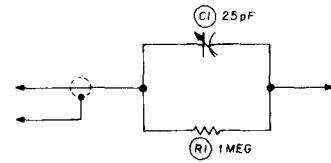


fig. 5. Low-capacitance probe for use with an oscilloscope or digital frequency counter.

voltage at the grid, then you can assume the oscillator is running.

### checking converters

Fig. 3 shows a converter (oscillator and mixer combined in a single stage) as used in a general-coverage amateur receiver. Both emitter and base will be at the same dc potential when the oscillator is running: A good test point. If problems in the ac path cause the oscillator to stop running, then emitter and base voltage will

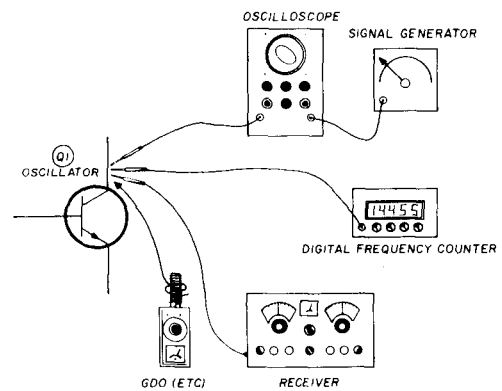


fig. 4. Methods for checking oscillator frequency using common test equipment.

change slightly, and the stage will act more like an amplifier. In this case, the base-emitter voltage will increase from zero to between 0.1 and 0.7 Vdc. Unfortunately, this test isn't always reliable but offers a good reason to become extremely suspicious. A better indicator of operation is the voltage drop across the emitter resistor, R2. This voltage always varies as the oscillator is tuned across its operating range. This method can also be used with fixed-tuned oscillators by disabling the crystal or tank and using the methods described above.

Before proceeding further, some cautionary words are in order against arbitrarily disabling an oscillator, especially in transmitters or other relatively high-power circuits where grid-leak bias is used: in many low- or medium-power transmitters, the grid leak provides the only bias for the final amplifier tube or tubes. If this bias is removed, the tube may be permanently damaged. In such cases it will be necessary to a) clamp the grid with a negative voltage high enough to cause cutoff, b) remove the tube or tubes, or c) disconnect the B+. Of these methods, the last is the most desirable.

Dc testing with a simple dc voltmeter does not always tell the tale, or at least the truth! In many cases, the dc

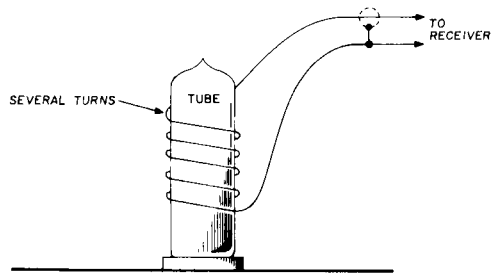


fig. 6. Coupling method using the time-honored gimmick capacitor.

indications merely cloud the issue and give a false sense of security. For example, how useful are the dc checks when the oscillator is still running but at an incorrect frequency? In that case, the dc checks will only lead you astray. Clearly, some method for measuring the oscillator frequency should be employed.

### checking oscillator frequency

There are several ways to rough-check the frequency of a running oscillator that usually do not cause any undesirable frequency shifts (fig. 4). One is to use a calibrated oscilloscope and measure the period of a single cycle of the oscillator signal by counting spaces on the scope time base (horizontal) and multiplying by the time base control setting. Or you could feed the oscillator signal to the vertical input and the output of a calibrated signal generator to the horizontal input. This action will create a Lissajous pattern. Adjust the signal generator until the trace remains steady and apply the normal rules for Lissajous figure ratios.

Alternatively, you could use a digital frequency counter or a heterodyne frequency meter. These instruments are available at low cost and many amateurs own them. It's also possible to find amateur clubs that have these instruments, especially those that operate repeaters.

an absorption wavemeter, which can be loosely coupled to the circuit with a *gimmick* capacitor as shown in figs. 4 and 6 or placed close to the oscillator.

Another method that has wide application is to use a general-coverage receiver. Connect the coax from the *gimmick* to the receiver antenna terminals and tune for the strong oscillator signal. In some cases it will be merely necessary to connect a length of hookup wire to the coax inner conductor and place it near the oscillator circuit.

The technique described above, which has a host of other uses, is one I recommend for every amateur station. Some of the old war horse receivers of the 50s and 60s are available for a price lower than you might think. Even an old ac-dc shortwave version of the five-tube superheterodyne is acceptable for many uses. An old Hallicrafters S38E or National NC-3 can be picked up at many swap meets for little money.

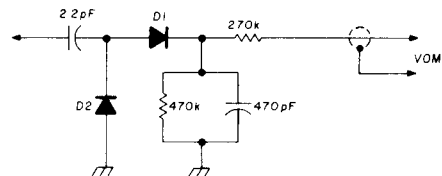
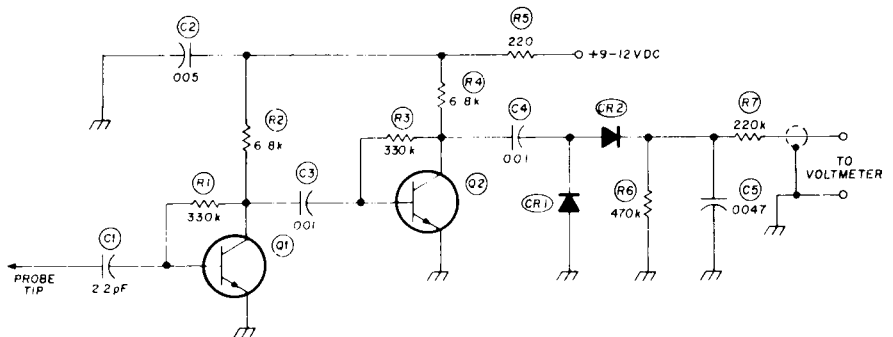


fig. 7 Passive demodulator probe circuit, which can be built into an appropriate housing. CR1, CR2 are 1N60, 1N82, 1N914, etc.

Fig. 7 shows a passive probe for use with a vom. EICO sells probe kits as well as demodulator probes, or you can buy a blank kit and build your own probe into the barrel. This is the approach recommended for the active probe of fig. 8. This demodulator probe is useful to two meters or higher. Transistors Q1 and Q2 are an amplifier that feeds a voltage-doubler detector consisting of CR1, CR2. The probe should be built into the same housing as the probe tip to eliminate lead inductance between tip and capacitor C1. The EICO housings can be

fig. 8. Active demodulator probe, which is useful to 2 meters or so. Q1, Q2 are hf npn transistors (ECG108, etc.) CR1, CR2 are 1N82, 1N914, etc.



Both the frequency-meter and Lissajous-pattern methods have a common fault, which may render them useless in some cases: Their probes may tend to load the circuit and shift its operating frequency. Fig. 5 shows a low-capacitance probe. A grid-dip meter can be used as

used, or an old probe can be used. One-half inch (12.5mm) copper tubing with end caps is also useful, as are 9-pin tube sockets with shields (see the ARRL *Radio Amateur's Handbook*).

ham radio

DenTron amateur radio products have always been strikingly individual. This is the result, not of compulsion to be different, but of a dedication to excellence in American craftsmanship. This dedication now extends to one of the worlds finest high performance Military amateur amplifiers.

Luxury styling, however, would not be fully appreciated without an exceptional power source. The heart of the MLA-2500 is a heavy duty, self-contained power supply.

Compare the MLA-2500. It has the lowest profile of any high performance amplifier in the world. It's modular construction makes it unique, and at \$799.50 it is an unprecedented value.

Very few things in life are absolutely uncompromising. We are proud to count the DenTron MLA-2500 among them. And so will you.

#### MLA-2500 FEATURES

- 160 thru 10 meters
- 2000+ watts PEP input on SSB
- 1000 watts DC input on CW, RTTY, or SSTV
- Variable forced air cooling system
- Self contained continuous duty power supply
- Two EIMAC 8875 external-anode ceramic/metal triodes operating in grounded grid.
- Covers MARS frequencies without modifications
- 50 ohm input and output impedance
- Built in RF watt meter
- 117 V or 234 V AC 50-60 hz
- Size: 5½" H x 14" W x 14" D.

All DenTron products are made in the U.S.A.

# Introducing the new MLA-2500

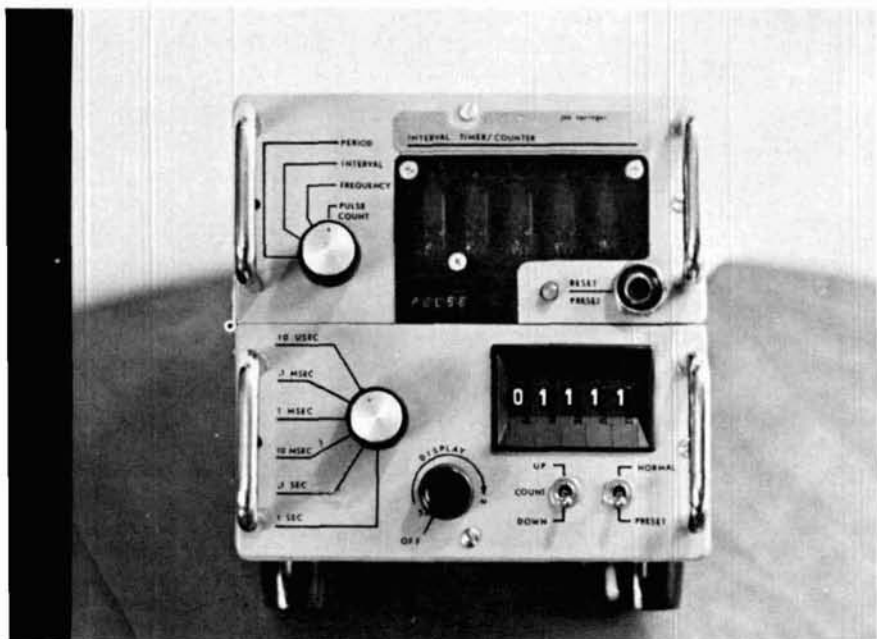
## The linear amplifier beyond compromise.



Amplifier in actual operation.

**DenTron**  
Radio Co., Inc.

2100 Enterprise Parkway  
Twinsburg, Ohio 44087  
(216) 425-3173



## function/units indicator using LED displays

Design and construction  
of a simple  
alphanumeric  
display system  
with many applications

Every test instrument uses some form of front-panel display to indicate what is being measured and the units involved. This article provides an attractive alternative to conventional displays. The design uses LEDs and TTL ICs to indicate function and units in an interval timer/counter. However, the circuit is adaptable to a wide range of other instruments.

The display complements the timer/counter and makes reading of measured data easier than with instruments using conventional display methods. Time in milliseconds, for example, is displayed as *SEC-3* (seconds  $\times 10^{-3}$ ) in scientific notation. Frequency is displayed similarly. The indicator circuits use TTL ICs, the heart of the system being programmable read-only memory (PROM). Construction is straightforward. A simple programmer for the Signetics 8223 PROM has also been constructed and included as part of the project.

After a brief discussion of concepts and theory of operation, the design techniques I used are described as well as the evolution of the final circuit. Construction is covered in detail for those who may wish to duplicate the circuits.

### function/units indicators

The purpose of a function/units indicator on an interval timer/counter is to describe what is being measured: seconds, milliseconds, or microseconds for time measurement and hertz, kilohertz, or megahertz for frequency

By Jon W. Springer, KØFOP, 6420 Carleida Way, Inver Grove Heights, Minnesota 55075

measurement. Most instruments have abbreviations of these units (sec, msec,  $\mu$ sec, Hz, kHz, MHz, respectively) on the front panel and use either a pointer or panel light to indicate the appropriate display.

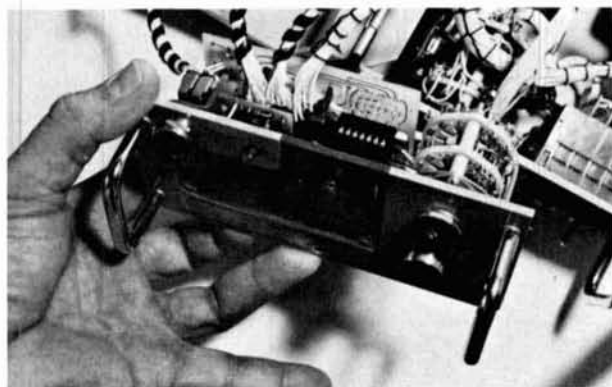
The LED indicator displays any one of the six abbreviations with a minimum of five 7-segment digits placed side-by-side. Seven-segment displays are designed to display numbers only; fortunately, enough letters of the alphabet can be produced to simulate the abbreviations. (See **table 1**). Obviously, this method is more complex: it requires considerable circuitry and the cost is higher. Is it practical? Economically, no; but the greater ease in reading the instrument justifies its use.

Circuit operation centers around a 256-bit read-only memory, a Signetics type 8223,<sup>1</sup> into which are programmed all letters and numerals required to form the six abbreviations. One exception exists. Since there was no need to display microseconds (*SEC-6*) in my interval timer/counter, I used that section of memory to

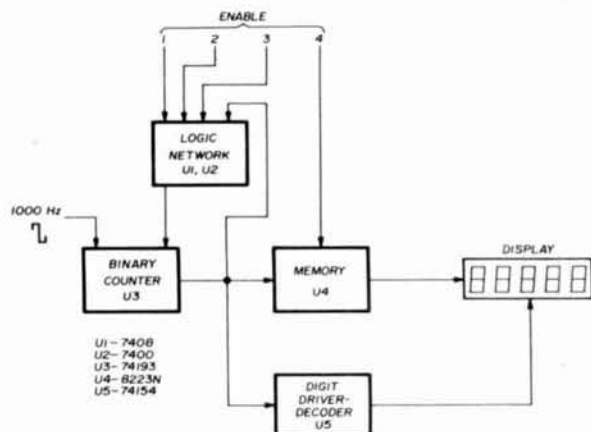
**table 1. Alphanumeric simulation of frequency and time units.**

units nomenclature	display
seconds	SEC
milliseconds	SEC - 3
microseconds	SEC - 6
hertz	HZ
kilohertz	HZ 3
megahertz	HZ 6

program the word *PULSE*. This word is selected for display when the counter is set up to count random pulses or events. The truth table for the memory is provided in **table 2**. A block diagram of the indicator circuit major units is shown in **fig. 1**. A binary counter, a 4-16 line decoder, and a 5-digit parallel-connected display form a simple multiplexer that addresses memory, one word at a time, and transfers data to the display. An external 1000-Hz oscillator drives the counter and sets the scanning rate. The counter is controlled by a logic network, which in turn is controlled by three data lines.



**Top view of the function/units indicator.**



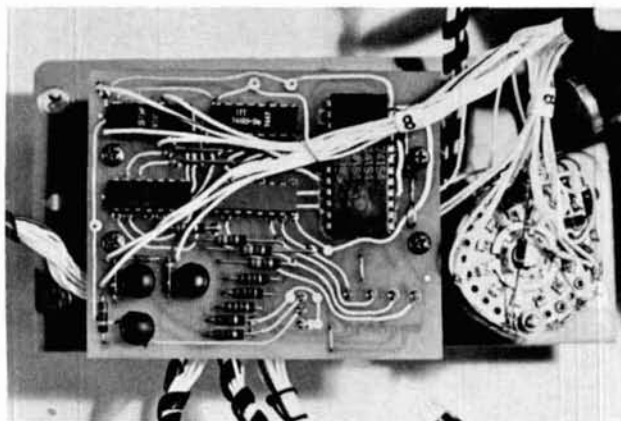
**fig. 1. Functional block diagram of the function/units indicator. A binary counter, a 4-16 line decoder, and a 5-digit parallel-connected display form a simple multiplexer. An external 1-kHz oscillator drives the counter and sets the scanning rate.**

The logic network limits the counter to count from 0-4 and reset; or 5-9 and reset; or 10-14 and reset — depending on the input from the data lines. Enable 4 is the most-significant bit address line to the PROM and selects one of two blocks of memory, locations 0-15 (binary) or 16-31 (binary). A schematic of the indicator circuit appears in **fig. 2**. **Table 3** lists the data inputs for each different display.

## design

Four areas of special importance were stressed in the design: small size, simplicity of circuit (minimal inputs), parts availability (cost included), and symmetry (printed circuit layout). Small size (3.2 x 2.5 inches or 8 x 2.5cm) was necessary only for my application. This circuit would probably function quite well under almost any configuration. Lead lengths should be kept as short as possible, however, in the interest of good design practice. Simplicity is the keynote for any good design and merited a major effort in this project. All parts are readily available on the surplus market. **Table 4** gives information on parts and suppliers. Cost is within reason (\$12.00) if surplus ICs are used throughout. Special attention was given to PC layout, since two-sided foil patterns were necessary and feedback problems might be encountered.

**input and output requirements.** The function indicator is controlled and operated from the rotary function switch on the main instrument panel through the data-input lines. As **table 3** indicates, each of the six displayed outputs requires a different 4-bit binary code. TTL integrated circuits are used exclusively, so 5 volts dc is the only power source necessary. A 1000-Hz square wave is provided by the main instrument's time-base generator to drive the multiplexer. The square-wave frequency is arbitrary; however, a minimum of approximately 300 Hz is necessary to prevent noticeable blinking of the dis-



Bottom view showing components and wiring harness arrangement.

play. Input signal levels must be compatible with standard TTL drive requirements.<sup>2</sup> The five-digit display is the only output. The display driver, U3, limits the maximum static display sink current to 16 mA per digit.

**design techniques.** Simplicity was foremost in arriving at a workable circuit. I concentrated on the logic network *fig. 1*, since it determined how many input-data lines would be required. The counter needed four signals from the logic network for proper sequence. (See *fig. 2* for a complete schematic of the logic network). With some trial and error I constructed four circuits, one for each

signal, then, borrowing on the techniques of tabular minimization and NAND-NOR implementation,<sup>3</sup> I combined the circuits into a single, minimal circuit.

TTL systems are inherently noisy<sup>2</sup> so some bypassing was necessary. A minimum of 0.1  $\mu$ F mounted close to the U3 and U4 terminals, where most of the switching noise is generated, is adequate.

The binary counter and logic network form a feedback system, but since there are at least three levels of gate delay from input to output, no interaction was anticipated. The counter output drives only three other inputs, so the counter is well within its fan-out limitations. The values of the pull-up resistors on the memory-output lines were optimized at 680 ohms, 1/4 watt, for best display brilliance.

**programmable read-only-memory.** Now that I had a workable circuit on the drawing board, I set it aside to tackle the job of programming the read-only memory. Commercial programming is available from several companies (*table 4*), but I elected to avoid the additional cost and built a programmer I could use in future projects. Signetics Corporation provides programming procedures in their data book.<sup>1</sup> I used this information to construct the circuit of *fig. 3*.

A word of caution is in order, however, about the use of this programmer for memories of different manufacture. The Texas Instruments type 74188A field-programmable memory<sup>4</sup> is an identical pin-for-pin replacement to the Signetics type 8223, but it *cannot* be

table 2. Truth table for the Signetics 8223 ROM.

decimal	a4	a3	a2	a1	a0	B0	B1	B2	B3	B4	B5	B6	B7	
0	0	0	0	0	0	1	0	1	1	0	1	1	0	S
1	0	0	0	0	1	1	0	0	1	1	1	1	0	E
2	0	0	0	1	0	1	0	0	1	1	1	0	0	C
3	0	0	0	1	1	0	0	0	0	0	0	0	0	
4	0	0	1	0	0	0	0	0	0	0	0	0	0	
5	0	0	1	0	1	1	0	1	1	0	1	1	0	S
6	0	0	1	1	0	1	0	0	1	1	1	1	0	E
7	0	0	1	1	1	1	0	0	1	1	1	0	0	C
8	0	1	0	0	0	0	0	0	0	0	0	1	0	—
9	0	1	0	0	1	1	1	1	1	0	0	1	0	3
10	0	1	0	1	0	1	1	0	0	1	1	1	0	P
11	0	1	0	1	1	0	1	1	1	1	1	0	0	U
12	0	1	1	0	0	0	0	0	1	1	1	0	0	L
13	0	1	1	0	1	1	0	1	1	0	1	1	0	S
14	0	1	1	1	0	1	0	0	1	1	1	1	0	E
15	0	1	1	1	1	0	0	0	0	0	0	0	0	
16	1	0	0	0	0	0	1	1	0	1	1	1	0	H
17	1	0	0	0	1	1	1	0	1	1	0	1	0	Z
18	1	0	0	1	0	0	0	0	0	0	0	0	0	
19	1	0	0	1	1	0	0	0	0	0	0	0	0	
20	1	0	1	0	0	0	0	0	0	0	0	0	0	
21	1	0	1	0	1	0	1	1	0	1	1	1	0	H
22	1	0	1	1	0	1	1	0	1	1	0	1	0	Z
23	1	0	1	1	1	0	0	0	0	0	0	0	0	
24	1	1	0	0	0	0	0	0	0	0	0	0	0	
25	1	1	0	0	1	1	1	1	1	0	0	1	0	3
26	1	1	0	1	0	0	1	1	0	1	1	1	0	H
27	1	1	0	1	1	1	1	0	1	1	0	1	0	Z
28	1	1	1	0	0	0	0	0	0	0	0	0	0	
29	1	1	1	0	1	0	0	0	0	0	0	0	0	
30	1	1	1	1	0	0	0	1	1	1	1	1	0	6
31	1	1	1	1	1	0	0	0	0	0	0	0	0	

Positive Logic: 1 = hi level 0 = lo level

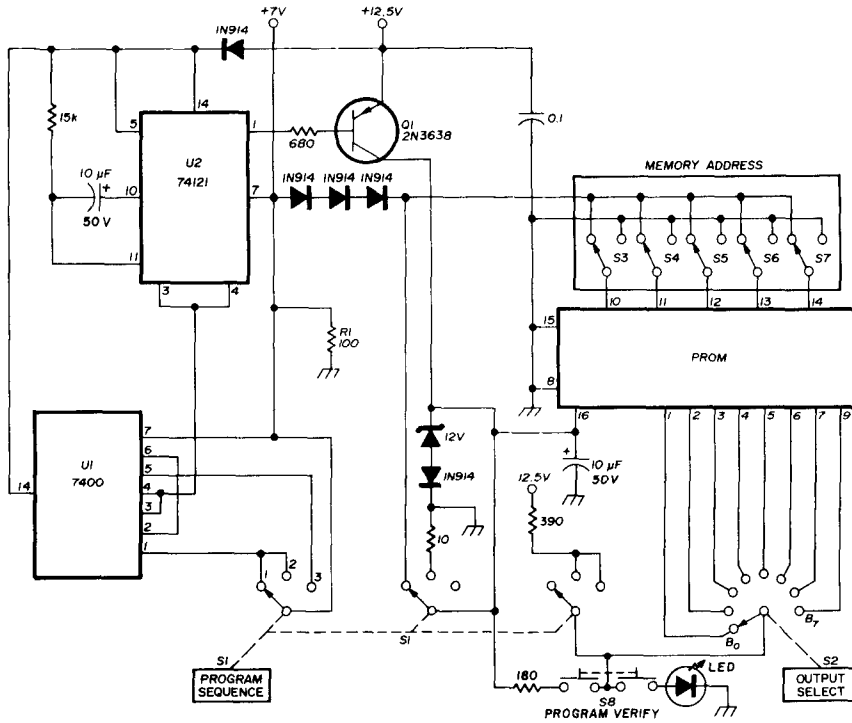


fig. 3. Programmer using the Signetics 8223 IC. Circuit was designed and constructed from information in reference 1. The LED is an MV5753.

programmed by the same procedures. Texas Instruments, Inc. has outlined special instructions.<sup>4</sup>

This programmer is much more elaborate than required but is designed to prevent accidental damage to the device being programmed. It also provides for checking the state of each bit of memory after each

programming step. I'll not deal in depth on the theory of operation except for a brief overview. A complete discussion of the operating procedures is presented for those who may want to build this programmer.

Referring to fig. 3, U1 functions as a bounceless switch to trigger U2, a monostable multivibrator. Both

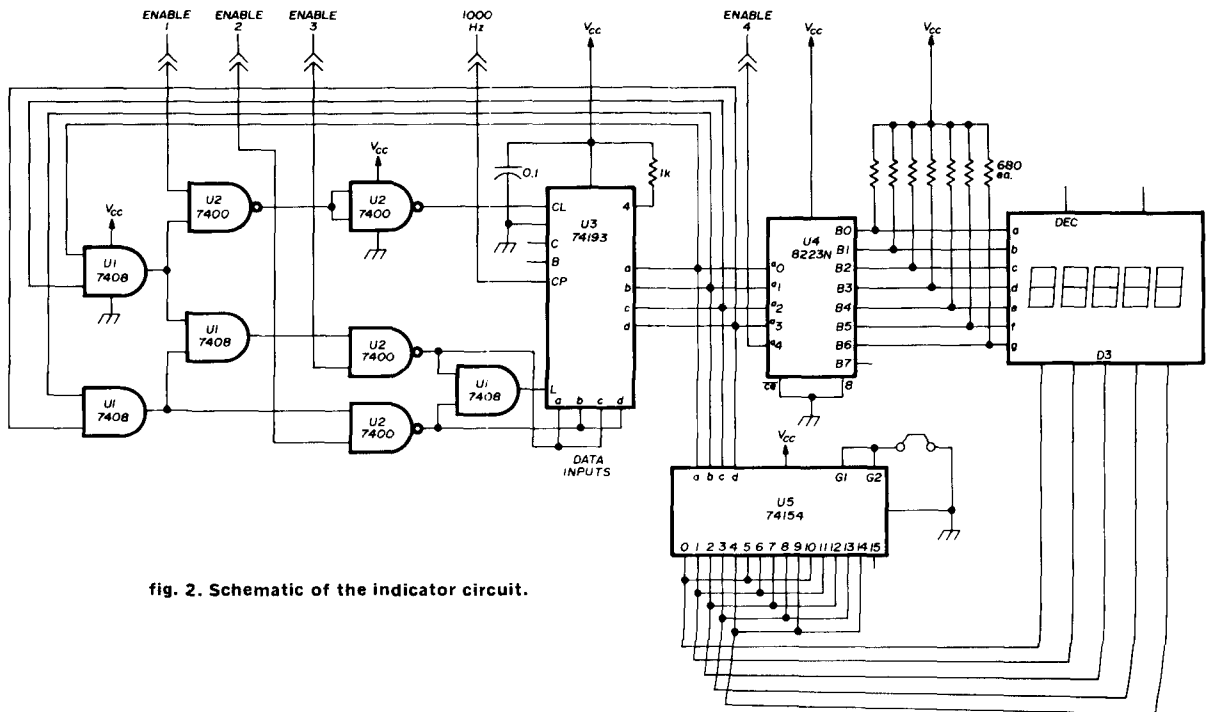


fig. 2. Schematic of the indicator circuit.

U1 and U2 operate at 7 volts above ground. Transistor Q1 saturates upon receiving a pulse from U2 and applies a 250-ms, 12.5-volt programming pulse to the  $V_{CC}$  terminal of the memory chip. This pulse opens a fuse at the bit previously addressed and permanently establishes

a logic 1 at that bit location. All memory locations are at logic zero before programming occurs. Separate regulated supplies provide the 7- and 12.5-volt inputs. Resistor R1 at the 7-volt terminal increases current and prevents interaction between the two power supplies.

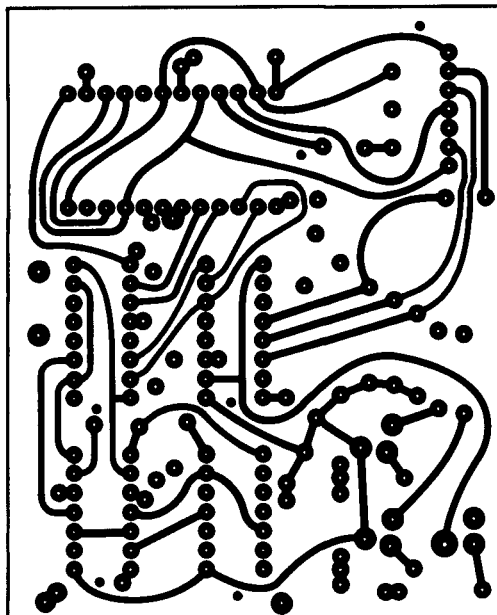
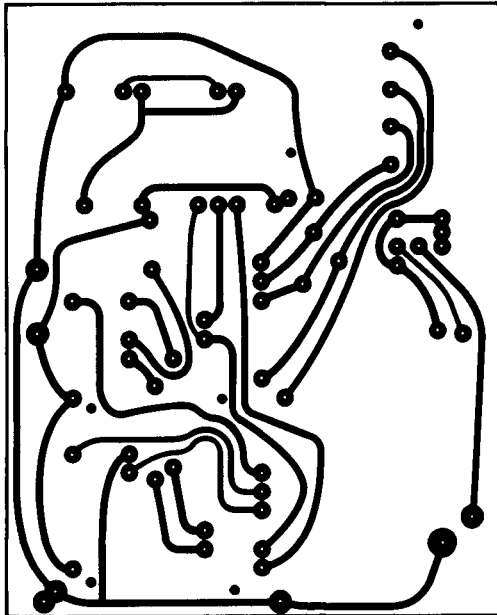


fig. 4. Full-size PC-board patterns for the function/units indicator. Two-sided boards are used; photo-etching technique was employed to make the boards. The top board is the component side foil, while the bottom is the rear foil.

table 3. Data inputs (positive logic).

1	enable			display
	2	3	4	
1	0	0	0	SEC
0	1	0	0	SEC-3
0	0	1	0	PULSE
1	0	0	1	H2
0	1	0	1	H2 3
0	0	1	1	H2 b

Programmer operation follows a simple, concise procedure that must be strictly adhered to. Read the following instructions several times and become familiar with them. A few dry runs are an excellent way to avoid a costly mistake. *The steps must be followed exactly as listed.*

1. Set switch S1 to position 1.
2. Address desired memory location (0-31, binary) with switches S3 through S7.
3. Select the output to be programmed (B0-B7) with switch S2.
4. Sequence switch S1 through positions 1, 2, and 3, and back to 1. (Complete the sequence in approximately two seconds).
5. Ensure switch S1 is in position 1. Then verify the bit programmed by pressing switch S8 momentarily. The LED will light if a logic 1 state exists.  
  
An erroneous reading will occur during verification if switch S1 is not in position 1.
6. Repeat steps 3, 4 and 5 for each output; (B0, B1, B2, B3, B4, B5, B6, B7).
7. This completes the programming of 1 of 32 memory addresses. Return to step 1 and continue.

#### construction

The function/units indicator circuit is built on glass-epoxy base PC board, copper foil on both sides. A low-heat soldering pencil is absolutely necessary because of the density of circuit components and heat sensitivity of the ICs. A heat sink should be used for all soldering operations. In addition, I recommend tin plating the copper board before soldering components: it makes soldering that is otherwise tedious nearly effortless. It also adds a professional touch to the work.

Etching the circuit board is most efficiently done with the photographic technique, since accurate alignment of the two foil patterns is very critical. The two foil patterns, drawn to scale, are shown in fig. 4.



Fig. 5 illustrates component mounting. Notice that the display is mounted on the opposite side of the board from the other components. This layout contains some other circuitry not related to this project, which can be ignored.

## performance

Preliminary testing of the project revealed two small problems, both with the data-input lines. Some noise spikes are apparent at the data (enable) inputs, and are generated by external switch contacts during switching. No effort was made, however, to remedy this situation since it was very minor. The other problem was a design error that caused a considerable waste of power. I'll explain. Proper circuit operation requires that the data-input lines, unless activated by an enable (high-level) signal, be at logic zero (low-level). To accomplish this, I had to clamp each data line to a low level with a 330-ohm resistor to ground. An unterminated gate, you recall, is at logic 1. A better design would clamp each line high with a 1000-ohm resistor and activate with a low-level enable signal. The current drain on the data lines would then be reduced from 60 to 20 mA. This is highly significant, since the entire function indicator draws only 220 mA at 5 volts.

The completed project was placed in a closed space and left on for two days in a rather makeshift test of its durability. No apparent heat problems occurred and the indicator functioned admirably. It is a handsome complement to my interval timer/counter.

The circuit is usable in a wide range of other instruments. The memory can be programmed for virtually any display configuration. I hope that this circuit, or portions of it, will stimulate some ideas for new applications.

table 4. Parts and ordering information for the function/units indicator.

**Integrated Circuits:** The following list contains just a few of the many dealers in surplus components

Solid State Sales P. O. Box 74A Somerville, Massachusetts 02143	Digi-Key Corporation P. O. Box 126 Thief River Falls, Minnesota 56701
International Electronics, Unltd. P.O. Box 1708 Monterey, California 93940	James Electronics P. O. Box 822 Belmont, California 94002

**Displays:** Hewlett-Packard type, 5-digit, mounted on a 14-pin DIP socket  
Radio Shack  
P. O. Box 2625  
Fort Worth, Texas 76101  
(see your local distributor)

**Programming Services:** (fees are generally around \$5.00)  
Semiconductor Specialists  
Box 66125 O'Hare Airport  
Chicago, Illinois 60666

### Available Programmers:

Curtis Electro-Devices programmer  
Spectrum Dynamics I/O programmer  
Data I/O programmer

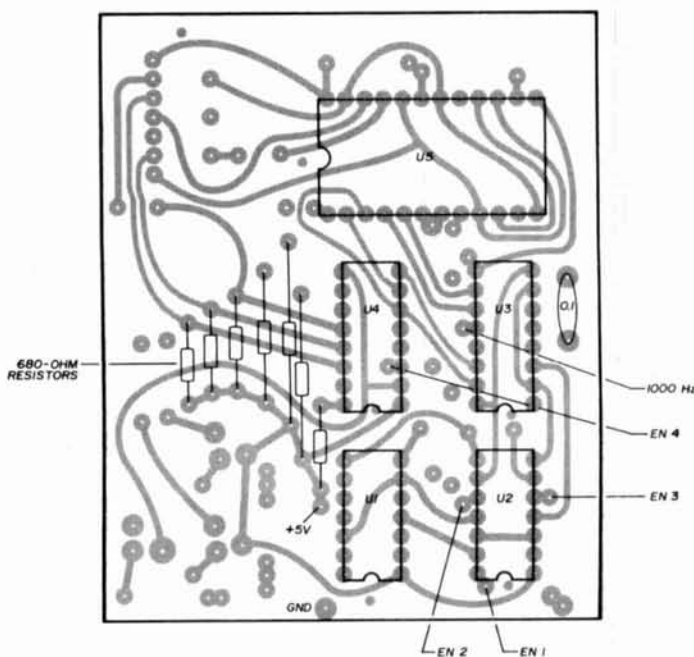


fig. 5. Component layout for the indicator. Some of the circuitry is not related to this project and should be ignored.

## references

1. *Signetics Integrated Circuits Data - Digital, Linear, MOS*, Signetics, Inc., Sunnyvale, California, 1972, pages 4-8, 4-10.
2. *Designing with TTL Integrated Circuits*, IC Applications Staff, Texas Instruments, Inc., McGraw-Hill, New York, 1971, pages 27-30.
3. F. Hill and G. Peterson, *Introduction to Switching Theory and Logical Design*, John Wiley and Sons, New York, 2nd Edition, 1974, pages 88-95.
4. *The TTL Data Book for Design Engineers*, Engineering Staff, Texas Instruments, Inc., Dallas, Texas, 1973, page 415.

## bibliography

1. Jack Darr, "Digital Instruments for Electronics," *Radio Electronics*, 45, No. 11, November, 1974.
2. *Designing with TTL PROMs and ROMs from Texas Instruments*, Texas Instruments Bulletin 84155 1H. 1 174, Texas Instruments, Inc., Dallas, Texas, 1974.
3. W.J. Ewanza, "A New Wave of Test Instruments," *Popular Electronics*, 6, No. 4, October, 1974.
4. *Printed Circuit Handbook*, GC Electronics Staff, GC Electronics Division, Hydrometals, Inc., Rockford, Illinois, 1973.
5. Don Lancaster, "What is a ROM?," *Radio Electronics*, 45, No. 2, February, 1974.
6. J. Millman and C. Halkias, *Integrated Electronics: Analog and Digital Circuits and Systems*, McGraw-Hill, New York, 1972.
7. Herman H. Smith, *Reference Guide for Engineers and Purchasing Agents*, Catalog No. 72, Herman H. Smith, Inc., A Subsidiary of North American Phillips, Inc., Brooklyn, New York, 1971.
8. B.D. Wedlock and J.K. Roberge, *Electronic Components and Measurements*, Prentice-Hall, Inc., New Jersey, 1969.
9. W.E. Wickes, *Logic Design with Integrated Circuits*, John Wiley and Sons, New York, 1968.

ham radio

# KENWOOD ..the Pacesetter in



There's excitement on the 2-meter band and Kenwood's TS-700A is the number one way to get there. There's more than just FM repeaters. SSB DX, OSCAR Satellite, CW... and do it all with the TS-700A.

4 MHz band coverage (144 to 148 MHz), completely solid state, AC and DC capability, automatically switches transmit frequency 600 KHz for repeater operation (146-148 MHz).

All this at a very attractive price.

## TS-700A



### SP-70

This companion external speaker provides outstanding audio characteristics for your TS-700A and TS-600.



Subject to FCC certification

2 METERS

6 METERS

TS-600

# VHF



The hottest 2-meter mobile rig on the market. Features a brand new and unique squelch system with continuous tone coded squelch, tone burst, or carrier squelch. Full 4 MHz band coverage and 25 watt output. It's phase-locked loop (PLL) frequency synthesizer provides operation on 800 channels. The TR-7400A's list of features goes on and on, but even more important is its superb performance and dependability... and all at a surprisingly low price.

## TR-7400A



## TR-7200A

Kenwood's other 2-meter FM mobile transceiver... compact, rugged and packed with features like a priority channel for your favorite frequency, 146-148 MHz coverage, 22 channels (6 supplied), completely solid state, and 10 watt output. Shown with the PS-5 AC power supply for home operation.



## TV-502

An easy way to get on the 2-meter band with your TS-520, TS-820, (and most other transceivers.) Simply plug it in and you're on... SSB and CW.

## TR-2200A



A high performance portable 2-meter FM transceiver that's Kenwood throughout. 146-148 frequency coverage, 12 channels (6 supplied), 2 watts or 400 mW RF output, and provisions for external 12 VDC operation.



## TV-506

Discover the excitement of 6-meters with your TS-520, TS-820, (and most other transceivers) together with the TV-506 transverter. Its 10 watt output will provide you with many hours of enjoyable 6 meter operation.

Subject to FCC certification

Want more information? See this fine equipment at an authorized Kenwood dealer or write for detailed specifications.

Kenwood has opened the 6-meter band to the amateur who wants to go first class without paying an arm and a leg. Behind its pretty face is a ruggedly built, versatile performer offering full 4 MHz coverage (50-54), all modes (SSB, FM, CW, and AM), and 10 watts out.



# control function decoder

Repeater accessory  
access  
can be regulated  
by this  
control  
function decoder

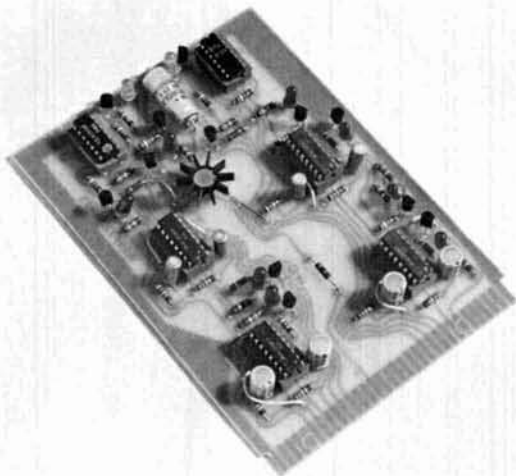
As repeaters become more sophisticated, the need for remote control of special repeater functions becomes necessary. Switching to remote receivers, autopatch control, and selectable repeater linking are only a few of the special repeater functions that lend themselves to remote control. The *Touch-Tone* signaling system is rapidly becoming the standard for repeater control. The control function decoder described here is designed to be operated from the output of a *Touch-Tone* decoder. The circuit detects a 3 digit sequence of *Touch-Tone* signals and sets a flip-flop. Another three-digit sequence is required to reset the flip-flop. The first two digits are the same for the set and reset functions. For example, the sequence 1, 2, 3 could be used to turn the function on, the sequence 1, 2, 4 could be used to turn the function off. The set and reset sequences must be received in the proper order and completed within a prescribed length of time.

The control function decoder has several features that make it adaptable to a wide variety of systems.

1. On-card voltage regulation
2. Printed-circuit board construction
3. Plug-in module construction
4. CMOS chips for low power consumption
5. Fully TTL compatible inputs and outputs
6. Indicator LEDs monitor circuit functions

## circuit description

The circuit shown in **fig. 1** uses two dual monostable multivibrators. The output of the first monostable (U1A) is connected to the reset terminal of the second (U1B). The first digit in the access sequence is the trigger



The complete control function decoder. The status of the timers is given by the light-emitting diodes mounted on the board.

By Thomas E. Doyle, WA9FTH, 5222 Big Bow Road, Madison, Wisconsin 53711

for the first monostable and the second digit of the access sequence is the trigger for the second monostable. Until the first monostable is triggered, the second is held in the mode. The output of the second monostable is connected to the reset terminals of the two remaining monostable multivibrators (U2A and U2B). The third digit in the *on* sequence is connected to the trigger input of one of the monostables (U2A) and the third digit in the *off* sequence is connected to the trigger input of the other (U2B). Note that the first two digits are the same for the *on* and *off* sequences.

The output of the *on* monostable is connected to the set input of an RS flip-flop. The output of the *off* monostable is connected to the reset input of the RS flip-flop. U1A is triggered by the first digit in the access sequence. U1B must be triggered by the second digit of the access sequence before the first monostable times out. The *on* or *off* digit of the access code must trigger its associated monostable before times out.

### interfacing

The output of the RS flip-flop is buffered by a transistor amplifier. An auxiliary direct clear input is provided to the RS flip-flop. This allows power-on clear or manual override. LED indicators are provided on all

monostable outputs and the RS flip-flop output. The access sequence digits and clear inputs require positive going TTL level signals. The output voltage from the RS flip-flop is approximately 4 volts at a current level limited by R3. This resistor value may be adjusted dependent on output loading. The circuitry is operated from a 5-volt supply regulated by an LM309H regulator. This allows the decoder to interface with TTL circuitry. The power input should be in the range of 11 to 15 volts dc.

The R1, C1, and R2, C2 values control the length of time in which the three-digit sequence must be completed. The value of these components may be changed if desired. One of these boards is used in the WR9ABT 16-76 repeater to control the autopatch and also the repeater mode from carrier to tone access.

### construction

The control function decoder is built on a 4.5 x 6-inch (11.4x15.2cm) single-sided printed-circuit board. The board contains all the necessary circuitry for two complete decoders. These sections are completely separate and share only the voltage regulator. If only one decoder is required, the components for the other can be deleted.

ham radio

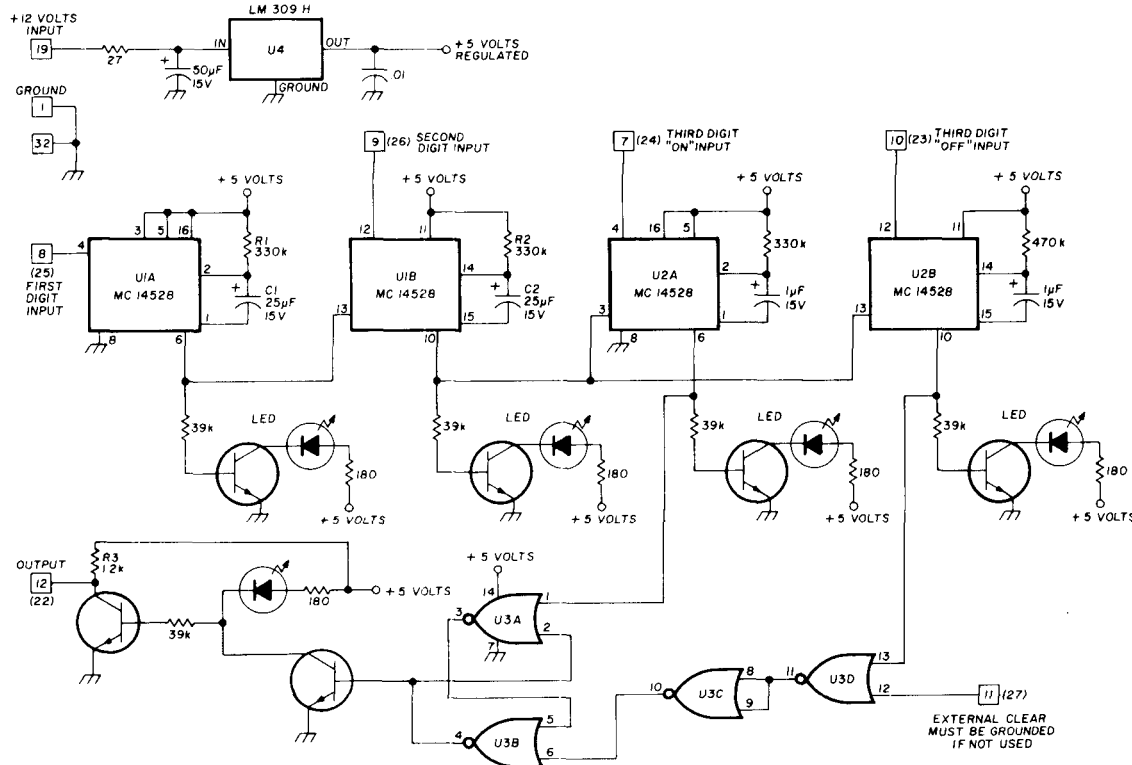
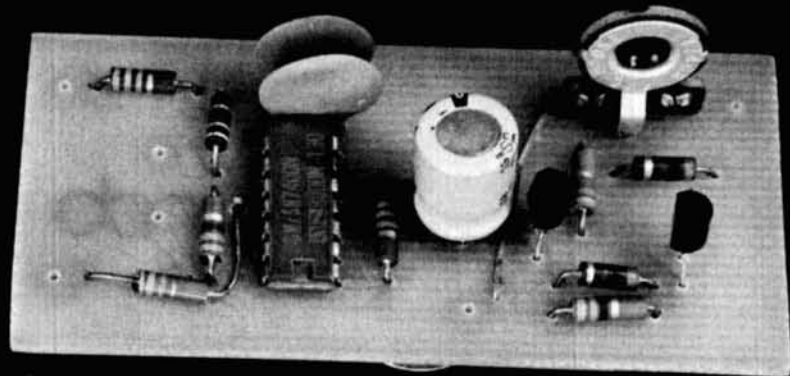


fig. 1. Schematic diagram of the control function decoder. Q1 through Q6 can be most any npn silicon transistor (2N3904). The LM309H and associated heatsink are mounted on the circuit board. U3 can be an MC14001 or CD4001. The numbers in the boxes and parentheses refer to the edge connector pins. Note that there are two complete decoders on a single printed-circuit board. All resistors are 1/4 watt, 10%. A copy of the printed-circuit layout is available from HAM RADIO upon receipt of a sase.



## synthesized channel scanning

### Simple and easy channel scanning for the GLB 400 synthesizer

After acquiring one of the GLB 400B Channelizers, I found that it would be convenient to monitor our local repeater while hunting for others on the band. WA0AQO's<sup>1</sup> system was far too complicated for me so I incorporated a simple flip-flop to replace the function of the receive switch and presto, I had a two-channel scanner that would alternate between the two frequencies set into the Channelizer by the switches.

#### circuit description

As shown in fig. 1, gates 1 and 2 are connected as an astable multivibrator with its frequency controlled by R6 and C1. Lowering the value of C1 will cause the oscillator frequency and consequently, the scan frequency to increase. Conversely, the scan frequency will be slower if the value of C1 is decreased. The square wave produced by this oscillator is used to drive gates 3 and 4, connected as a dual flip-flop.

The basic action of a flip-flop has one output high while the other is low. With each incoming pulse from the oscillator, the outputs will change to the opposite state. The high output of gates 3 and 4 is used to alternately select the frequency determining switches.

Now that the channelizer is scanning the two frequencies indicated by the settings of your switches, a method is needed to stop the oscillator when a signal is received. Note that fig. 1 shows two circuits for stopping the oscillator. Check your receiver to determine whether the point you desire to tie onto for scan lock goes positive or negative. A good place to tie in is the area of the squelch or limiter circuit. If this point goes in a negative direction when a signal is received, then use the circuit A. If the point goes positive, use circuit B.

In lock circuit A, Q1 is normally conducting and will cease conducting when a negative voltage or ground is applied. A positive voltage will then forward bias the base of Q2, effectively shorting gate 1 to ground and stopping the oscillator. Gates 3 and 4 will then remain in their respective states.

Q2 in lock circuit B operates in the same manner as circuit A. It is initially cut off until there is an incoming signal. Switch S1 is used to turn the Channel Scanner off and return the Channelizer to its original configuration.

#### construction

The circuit can be built on a piece of perforated board\* and mounted anywhere within your Channelizer that space permits. Three additional holes are needed in the front panel. Locate a spot to mount the switch S1, and carefully drill an appropriate size hole for it. Mark

\*Circuit Board Specialists, Post Office Box 969, Pueblo, Colorado 81001. The complete kit of parts including switch and circuit board is priced at \$11.00; the circuit board alone is \$3.00.

By Robert D. Shriner, WA0UZO, 1740 East 15th Street, Pueblo, Colorado 81001.

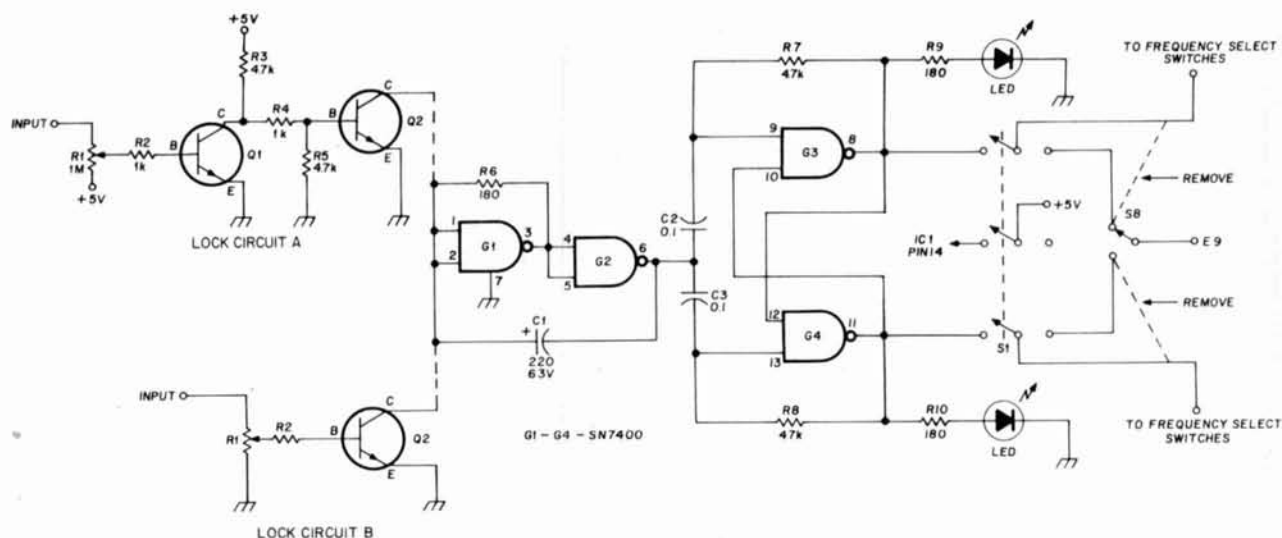


fig. 1. Schematic diagram of the channel scanner. The leads to the frequency-select switches provide a high or low voltage that alternately programs the counters in the GLB 400 to the correct frequency. The appropriate lock circuit must be chosen for the receiver used.

your panel with "instant lettering" — scanner on and off.

The indicator lights should be mounted in such a manner on the front panel so that they will show which set of switches is activated. Drill two holes to fit the light-emitting diodes. After locating switch S8 in your Channelizer, remove the two wires that are connected to the frequency-select switches and connect these to the

new switch as shown. Five volts for the scanner is also run through S1 so that in normal operation (not scanning) the LEDs will not be blinking on and off.

This little circuit has added a very valuable feature to an already fine piece of equipment. I do not know how many other synthesizers this will adapt to but I am sure that they exist.

ham radio

## SPEC COMM 512A/560A — The Go Anywhere, Do Everything 2M FM Transceiver System

**New!**  
IMPROVED MODELS

Now there's no need to buy a mobile rig, a base rig, and a HT/Portable unit. **The SPEC COMM 512A/560A does it all** with the help of its unique plug-in "Snap-Pack" Modules! The modules plug into the back of the radio in seconds and provide a **Super-Versatile System**.

• **In the car it's a 25 Wt. Mobile** — with the BA-1 Amp. Module. \$84.95. Small & Light enough to take with you to avoid theft. (Only 3 lbs!) 2 1/4 x 6 x 10" w/module.

• Later, snap-off the BA-1 and snap-on the BP-1 NICAD Battery Pack for **all day operation as a High Power 5 Wt. Portable!** (Not the usual 1 or 2 wts.) Actually **lighter** than most 1-2 wt. portables, even though our battery has **3X the capacity** of any competitor! BP-1 Pkg.: \$89.95.



SC512A-12 CHAN. .... \$249.95  
SC560A- 6 CHAN. .... \$224.95

DEALER INQUIRIES INVITED

- **In the Fixed Station** — use the BA-1 Amp. w/ the AC-7 Supply. Or, use the rig "barefoot" w/ the AC-1 Supply Module. \$49.95.
- **SM-10 Remote S Meter** available. (Illuminated.)
- **For the Ultimate in Versatility** — add our **SC1800 PLL Synthesizer**. Over 1800 channel combinations! Also useable w/ most other 2M rigs. \$225.00.
- **Super Hot/Super Sharp Receiver!** 0.3  $\mu$ V/20dB Qt. — 90 dB @  $\pm$  30 kHz.
- **Made in USA** — finest quality throughout. **Outstanding audio quality on both xmit. & rcvce.**

SEND FOR DATA SHEET

Available through your Dealer,  
(Or direct if no dir. in your area)

## SCR1000 2M REPEATER —

SO ADVANCED, IT'S DESTINED TO BECOME AN INDUSTRY STANDARD!

- Full Metering • Front panel AF Level & Timer controls • Lighted Pushbuttons for control/test functions/status indicators • CMOS control logic & timers • Built-in IDer & AC Supply • Exclusive Hot Carrier Diode Receiver front end • 30 Wts. out • Provisions for Autopatch, Remote Control, etc. • Auto-switchover to emergency power, etc. • Repeat Audio Quality "that Sounds like direct."

For the group that demands the finest!

Introductory price \$899.95

Sold Factory Direct only.

Inquire about our Repeater Boards: Rcvr., Xmtr., 25 Wt. Amp., COR/Control, and IDer.



SEND FOR  
DATA SHEET

# SPECTRUM COMMUNICATIONS

Box 140 HR - WORCESTER, PA 19490 (215) 631-1710

# improved method for calibrating time-base oscillators

Two receivers  
coupled to a common vfo  
plus an a-m detector  
and vtm  
yield accuracies  
to better than  
2 parts in  $10^8$

Here is a method that will eliminate the uncertainties of time-base oscillator calibration when listening for a zero beat with WWV or when watching a receiver S-meter. A much more accurate technique is presented for measuring time-base oscillator calibration and stability.

Consider a frequency counter made from a kit and calibrated by ear to WWV. Such a subjective method has the potential for missing errors in frequency calibration over several seconds. There is also a chance for error due to WWV carrier fading. Both of these problems translate directly into TBO calibration inaccuracies.

## calibration method

Fig. 1 shows a method that virtually eliminates these chances for error. With two high-frequency receivers, a vtm and some ingenuity, a frequency-counter TBO can be calibrated to an accuracy better than 2 parts in  $10^8$  cycles. Note that the two receivers in fig. 1 are coupled to the same vfo (both have a 455-kHz i-f). One of the receivers is tuned to WWV, and the other is tuned to the TBO harmonic that matches the WWV carrier frequency being received. With both receivers using the same vfo, any phase difference between the two i-fs would be attributable to a phase difference between the TBO and WWV.

Fig. 2 shows the two i-fs fed into an a-m detector. The vtm is connected to the agc bus and measures the agc voltage developed by the two signals. As long as the two i-f voltages remain constant in amplitude, the only thing that will cause the agc to fluctuate is any phase differences between the TBO and WWV signals. If the two signals vary in phase, fluctuations in the agc voltages will occur.

The WWV signal must be strong and steady for this method to work. My HQ-150 receiver was converted to solid state and the fets in the i-f stage were forced into hard limiting of the carrier by a high rf gain control setting. This principle is identical to fm limiting, where undesirable amplitude modulation of the fm-carrier is clipped. Care was also taken to make sure the TBO did not overdrive the receiver front end. This was done to keep the receiver from radiating signals into the WWV receiver front end. To prevent interaction between the two i-f strips, an IC CA3020 tuned amplifier was placed between the HQ-150 receiver and the a-m detector.\*

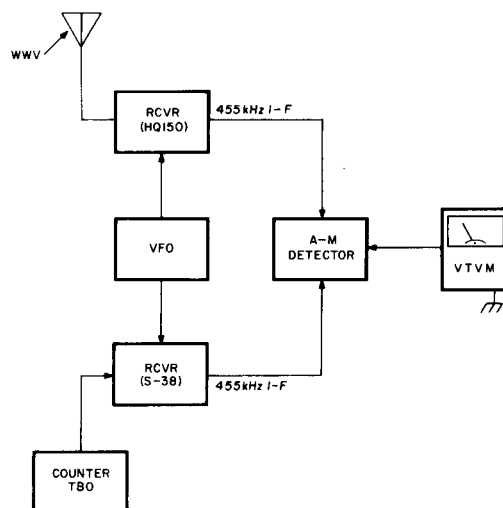


fig. 1. System block diagram using two receivers and a common vfo. One receiver is tuned to WWV; the other is tuned to the time-base oscillator harmonic that matches the WWV carrier. The S-38 vfo is disabled and the HQ-150 vfo is fed to the S-38 mixer through a CA3020 amplifier circuit (see text).

Once the receivers had been properly set up, the TBO was calibrated. Adjusting the TBO crystal-oscillator trimmer capacitor caused the vtm needle fluctuations to speed up or slow down as the TBO became more or less in phase with WWV. Once the slowest possible move-

\*The CA3020 amplifier can be found on page 234 of the 1970 RCA *Linear Integrated Circuits Handbook*. My circuit was identical to that of the text with the exception of the substitution of a 455 kHz primary winding from an old i-f transformer in place of the coil shown in the text. This was done to tune the amplifier to 455 kHz.

By John Lapham, WA7LUJ, and Jack Barnes, WA7KMR, 741 North 200th, Seattle, Washington 98133



# Introducing the 2-meter hand-held that gives you high performance. Without high cost.

It's the new Hy-Gain 3806 2-meter, 6-channel hand-held FM transceiver (144-148 MHz). The 2-meter hand-held that takes the high cost out of performance.

The Hy-Gain 3806 is built to out-perform. Out-last. And out-class every other 2-meter hand-held.

It's built tough. Water, dirt and corrosion are sealed out by the specially gasketed case. The speaker/microphone grill is engineered to prevent direct entrance by water. Even changing the power pack in the field won't diminish case integrity. The power section is separately sealed. So you never expose the circuitry.

The high-impact ABS case is extra tough. And ribbed for a sure, non-slip grip. The controls are up front. And easy to operate. There's volume. Squelch. 6-position channel selector. Transmit LED indicator. A meter that indicates battery condition on transmit, signal strength on receive. And a separate power switch for positive on-off.

There's a telescoping antenna that collapses completely into the case. Or you can use our 269 flexible antenna for extra convenience. And there are jacks for use with external antenna. Earphone. And external 12 VDC.

The 3806 has the kind of guts that have made Hy-Gain products famous throughout the world. Its receiver section is superior to everything else for the money. It has sharply tuned, on-frequency selectivity in the RF amplifier

circuit. Two MOS-FET RF amplifier stages. Plus MOS-FET's in the 1st and 2nd mixers. They make the 3806 virtually immune to out-of-band signals. Intermodulation distortion. And cross-modulation. So you get truly incredible dynamic range. For superb adjacent channel rejection, the 1st mixer is followed by a monolithic crystal filter. And the 2nd mixer by an 8-pole ceramic filter.

A frequency multiplication factor of 12 allows

you to use thicker, high stability crystals (one set of 146.52 simplex crystals supplied). Audio is enhanced through use of separate speaker and microphone elements. And there's an internally adjustable mic preamp. Something you won't find anywhere else.

The Hy-Gain 3806 hand-held is backed by a complete line of superb accessories. Including AC and DC chargers. Carrying case. External antenna adapter cable. And a Nicad power pack that's so over-engineered you won't over-extend it. Even in the most adverse conditions.

The pack is completely sealed in its own tough ABS case. Protected against over-charging. And contact shorting. It has 30-40% more in-use capacity than competitive units.

Soon we'll have a Touch-Tone\*\* pad available for the 3806. It'll fit flush in the back panel. Because we designed it specifically for the 3806.

The Hy-Gain 3806 2-meter, 6-channel FM hand-held. It gives you the performance you want. Without costing a lot. Available locally through your Hy-Gain dealer. See it and our more than 300 other fine products soon.



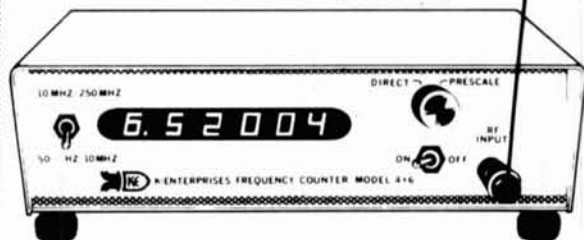
**hy-gain**  
We keep people talking.

Hy-Gain Electronics Corporation  
8601 Northeast Highway Six  
Lincoln, NE 68505

©1976 Hy-Gain

\*Registered Trade-mark of AT&T

# K-ENTERPRISES



**MODEL 4X6C**  
**50 HZ—250 MHZ . . . . . \$270.00**

**300 and 500 MHZ PRESCALERS**  
**FREQUENCY STANDARDS**  
**MARKER and PEAKING GENERATORS**  
**POWER SUPPLIES AMPLIFIERS**  
**WRITE FOR FREE CATALOG**



Phone:  
 918-676-3752



**K-ENTERPRISES**

Box 410 (N.W. of town) FAIRLAND, OK 74343



**GREGORY ELECTRONICS**  
*The FM Used*  
*Equipment People.*

**Here Are Just A Few Lines**  
**From Our '77 Best Seller!**  
**USED G.E. ACCESSORIES**

MASTR Power Speakers #4EZ18A10	\$25.
MASTR Control Cable #19C303626G1	\$15.
MASTR Power Cable #19C303601G2	\$10.
MASTR Transmit Encoder Boards #19C303466 (less reed)	\$15.
MASTR Receiver Decoder Boards #19C303550 (less reed)	\$20.
PROGRESS LINE Control Cable #748794	\$10.
PROGRESS LINE Power Cable #7147299	\$5.
PROGRESS LINE BASKET, front plate, and cover 14", 17", 20"	\$10.
PROGRESS LINE control heads (less mike, less bracket)	\$10.

**FOR THE WHOLE STORY SEND FOR**  
**A FREE COPY OF OUR '77 CATALOG.**



**GREGORY ELECTRONICS CORP.**

245 Rt. 46, Saddle Brook, N.J. 07662  
 Phone: (201) 489-9000

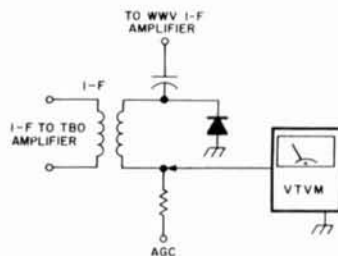


fig. 2. I-f output of the two receivers is fed to an a-m detector. The vtvm is connected to the agc bus and measures the agc voltage developed by the two signals.

ment had been observed, the period length of the error was measured.

The vtvm dc-scale level was set for a value that allowed the fluctuations to be observed over a wide enough arc to ensure accurate timing of the cycle. As the needle moved from one end of the scale to the other and back again, the period length of the movement was timed. If the movement took ten seconds and the receiver was tuned to 10 MHz, then the TBO error was computed as one cycle in 100 MHz of WWV; *i.e.*, 10 MHz x 10 seconds = 100 MHz. The error is then of 1 part in  $10^8$  cycles.

### accuracy

The accuracy of this method was verified by calibrating the TBO as described above and comparing the results with a laboratory standard, in this case a Gertsch RLF-1 60-kHz WWV receiver-comparator using a comparator frequency of 300 kHz. Fig. 3 shows the chart-recorder results. In one hour there were 21 cycles of TBO drift. Dividing this drift by  $(300 \text{ kHz} \times 60 \text{ seconds} \times 60 \text{ minutes})$ ; *i.e.*,  $21/(1.08 \times 10^9)$ , yields 1.94 parts of error in  $10^8$  cycles. The results confirmed by the Gertsch comparator were almost identical with those computed by the dual-receiver, single vfo method of fig. 1.

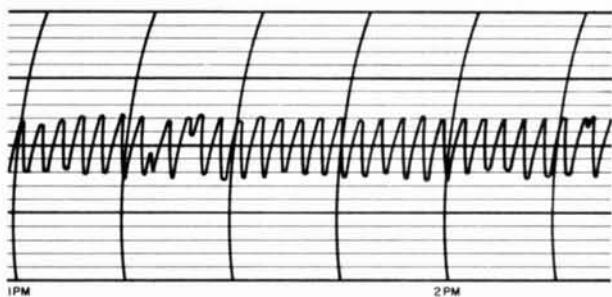


fig. 3. Calibration results of the measurement method using a Gertsch RLF-1 60-kHz WWV receiver-comparator and a comparator frequency of 300 kHz. About 21 cycles of TBO drift occurred in one hour, yielding 1.9 parts of error in  $10^8$  cycles.

The TBO used for this experiment was enclosed in a crystal oven, and the entire unit was housed in a Styro-foam box to further isolate the TBO from the environment. The procedure described here provides an excellent method for a more accurate calibration of any TBO.  
**ham radio**

Whether you go for fat coils, skinny coils, switch flickers or automatics, Swan has the mobile antenna that's exactly right for your needs. So top off your mobile rig with a Swan antenna. Every time you press the mike button you'll know you're delivering the biggest signal your rig is capable of. Without compromise.



**Mobile 45.** This switch-adjustable 5-band antenna features a Swan HI-Q coil and positive-stop, 8-position switch with gold-plated contacts. Select 10, 15, 20, 40 or 75 meters and go to work knowing this rugged antenna won't let you down. . . . . \$119.95



**742 Automatic.** Just resonate this triband on 20, 40 and 75 meters. Bandwidth approximately 100 KC on each band. Now you can work any frequency in those bandwidths on all three bands and never touch the antenna. Handles 500 watts P.E.P. . . . . \$109.95

(Prices F.O.B. Oceanside, CA)

Buy Swan antennas with your Swan credit card.

Applications at your dealer or write to us.



**Series 35 Slim-Line.** Neat, low-drag coils in slim-line antennas are the ticket when you're operating single-band at 500 watts P.E.P.

or less. Interchangeable coils for 15, 20, 40 and 75 meters. \$30.95 to \$37.75



**Series 36 HI-Q.** The most efficient single-band antennas you can buy. Rated at 1000 watts P.E.P. Interchangeable coils for 15, 20, 40 and

75 meters. These rugged, durable antennas include base, coil and whip. \$39.50 to \$47.95

Dealers throughout the world or order direct from



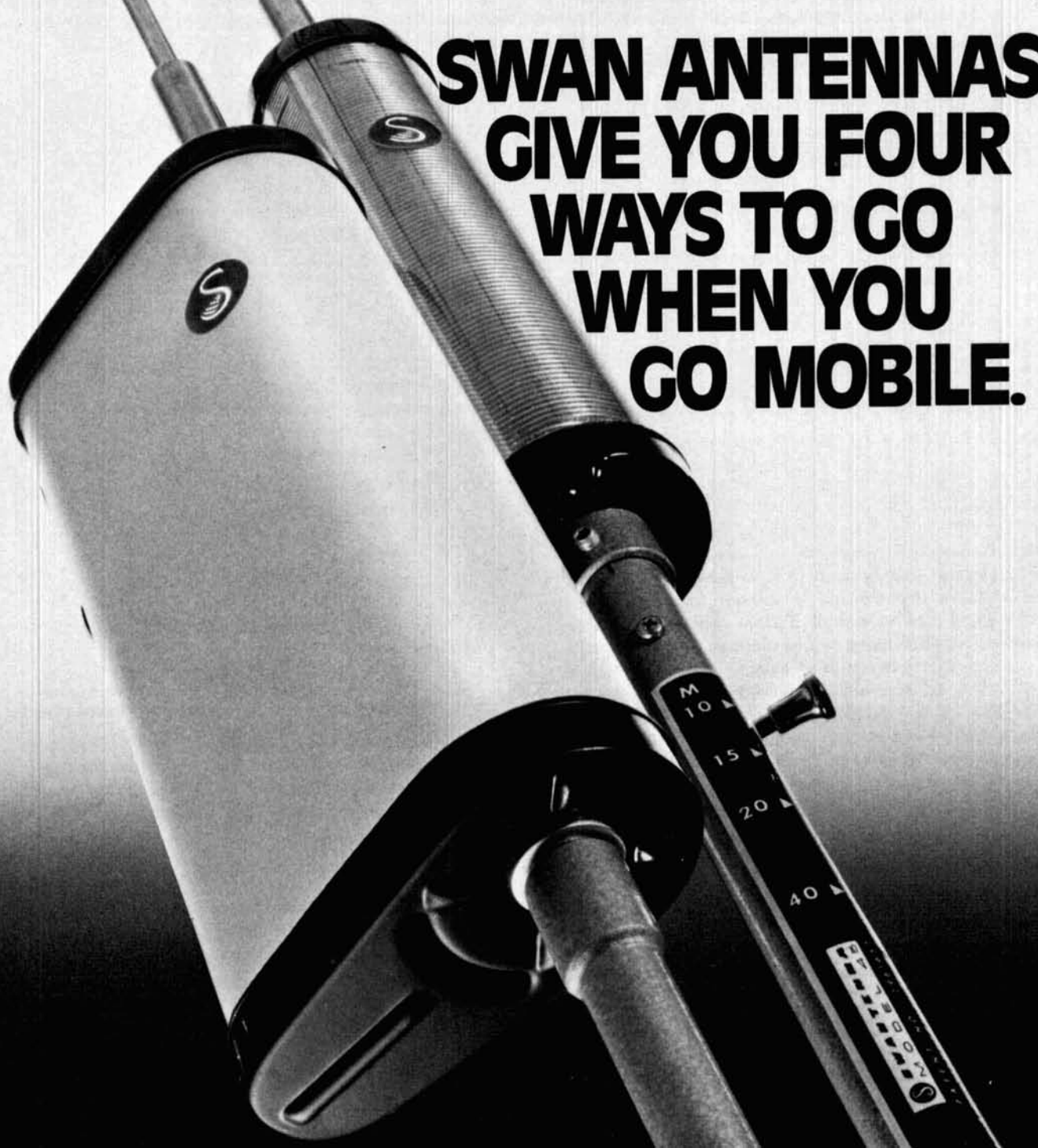
**SWAN<sup>®</sup>**  
**ELECTRONICS**

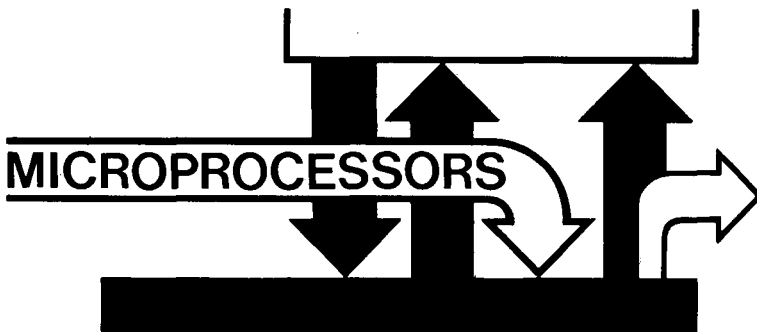
A subsidiary of Cubic Corporation

305 Airport Road, Oceanside, CA 92054

(714) 757-7525

# SWAN ANTENNAS GIVE YOU FOUR WAYS TO GO WHEN YOU GO MOBILE.





## microcomputer interfacing: the MOV and MVI 8080 instructions

In the preceding column, we indicated that within an 8080 microprocessor chip there exist seven general purpose registers (B, C, D, E, H, L, and the accumulator) each of which operates on eight bits at a time. These registers are used for many varied purposes, *e.g.*, the storage of an 8-bit constant, an 8-bit timing byte, a 16-bit pointer address, or an intermediate result from an arithmetic or logical operation.

By examining the data transfer instructions, MOV D,S, in the 8080 instruction set it can be seen how the general purpose registers may be used. We will assume that there is some data initially present within each register. There are sixty-three different MOV instructions, each of which specifies both the source register, S, of the data and the destination register, D, to which the data is moved. For example, to move data from register E to register B, you would use the instruction MOV B,E which is the Intel mnemonic notation for the operation of moving data to register B from register E. Unfortunately, an 8080-based microcomputer has no way to understand or interpret a mnemonic instruction such as MOV B,E. What is required is the binary representation for MOV B,E, —  $01000011_2$ . These eight bits, which comprise the instruction code for MOV B,E, can be manipulated digitally, *i.e.*, they can be stored in a semiconductor memory device, transmitted over a data bus, stored in an instruction register within the 8080 chip,

By Jonathan Titus, David G. Larsen, WB4HYJ,  
and Peter R. Rony.

Mr. Larsen, Department of Chemistry, and Dr. Rony, Department of Chemical Engineering, are with the Virginia Polytechnic Institute and State University, Blacksburg, Virginia. Mr. Jonathan Titus is President of Tychon, Inc., Blacksburg, Virginia.

and decoded by an instruction decoder into a series of actions that the 8080 performs internally.

How do you convert from the general mnemonic for a move instruction, MOV D,S, to the specific binary instruction code? First, the general form of any MOV instruction is,

0 1	d d d	s s s
MOV class of instructions	3-bit binary code for des- tination reg- ister	3-bit binary code for source register

and second, each general-purpose register has associated with it a unique 3-bit code.

register	3-bit register code
B	000
C	001
D	010
E	011
H	100
L	101
*	110 (to be dis-
accumulator (A)	111 cussed later)

After the source and destination registers have been selected, insert the respective 3-bit codes into the appropriate places in the general MOV instruction format given above. Some examples are as follows:

data transfer operation	mnemonic	instruction code
E → B	MOV B,E	01 000 011
H → A	MOV A,H	01 111 100
B → C	MOV C,B	01 001 000
D → L	MOV L,D	01 101 010
L → D	MOV D,L	01 010 101
E → E	MOV E,E	01 011 011

Since binary code is difficult to remember, it is con-

venient to represent the above 8-bit instruction codes in octal code. Thus:

data transfer operation	mnemonic	octal instruction code
E → B	MOV B,E	103
H → A	MOV A,H	174
B → C	MOV C,B	110
D → L	MOV L,D	152
L → D	MOV D,L	125
E → E	MOV E,E	133

In each case, you have copied data from one register into another. The destination register contains the copy, *the source register remains unchanged*. Notice that the MOV L,D and MOV D,L instructions have the source and destination registers reversed. In the MOV E,E instruction, you have copied the contents of register E back into register E. The net result is that E remains unchanged. This is a valid 8080 instruction, but it has no visible effect and can be called a "do nothing" instruction. Similar "do nothing" instructions exist for the other six general purpose registers.

You may recall that the IN and OUT instructions permit data transfer to occur between the accumulator (register A) and external I/O devices. The MOV D,S instructions offer one means of temporarily storing input and output data bytes elsewhere within the 8080 chip. Besides the IN instruction, how else can data be transferred into the general purpose registers? There are generally two ways of doing so, from the program (for permanent constants), and from memory (for temporary constants, results, data files, etc.).

To get data directly from a program into one of the registers, *immediate* instructions can be used. These are multi-byte instructions that contain the desired data within the instruction. The first instruction byte is always the 8080 instruction code; it tells the 8080 chip what to do next. The next one or two instruction bytes contain the actual data. The two-byte *move immediate* instructions,

```
MVI r
< B2 >
```

permit you to move the data contained in the second byte into the specified register, r. The < B2 > notation means that space must be left in the program for the second instruction byte. The general form of the MVI r instruction is,

```
0 0      d d d      1 1 0
instruction 3-bit code for
class      destination
           register
```

or 0D6 in octal code. Some examples include:

Reprinted with permission from *American Laboratory*, October, 1976, copyright © International Scientific Communications, Inc., Fairfield, Connecticut, 1976.

data transfer operation	mnemonic	octal instruction code
< B2 > → A	MVI A	076
< B2 > → B	MVI B	< B2 >
< B2 > → H	MVI H	< B2 >
		046
		< B2 >

To output the ASCII letter Q to output port 6, you would execute the following program:

octal instruction code	mnemonic
076	MVI A
321 (ASCII Q)	321
323	OUT
006	006

As indicated in the program, you first load the 8-bit ASCII code into the accumulator register; having done so, you then output the accumulator contents to port 6. Data or constants can be moved into individual registers at any point in an 8080 microcomputer program, and as often as needed, simply through the use of MVI r instructions. Remember, each MVI r instruction consists of two instruction bytes.

The transfer of data between memory and the general purpose registers is more complex since *you must clearly and unambiguously specify which one of a possible 65,536 different locations you wish to use for the transfer operation*. This requires a 16-bit address that is stored in the H,L register pair, register H containing the *high* (HI) address byte and register L containing the *low* (LO) address byte. Once you specify these two address bytes, you can readily transfer data back and forth between *the specified memory locations M* and any of the seven general purpose registers. To do so, you use a MOV, D,S instruction, where the 3-bit code for memory location M is 110 (or 6 in octal code).

As an example, if you wish to transfer data from memory location HI = 030 and LO = 123 to register D, you execute the following program:

octal instruction code	mnemonic	comments
056	MVI L	Load register L with the following LO address byte
123	123	LO address byte
046	MVI H	Load register H with the following HI address byte
030	030	HI address byte
126	MOV D,M	Move data from the memory location addressed by register pair H,L to register D

Remember, whenever you perform an 8080 instruction involving memory location M as "register M," which has a register code of 6<sub>8</sub>, you must specify beforehand the absolute memory address of M in register pair H,L. We shall continue this discussion of the 8080 instruction set in our next column.

ham radio

# think of yourself as an antenna expert! —you select your components!

**1** Get optimum performance band for band. Choose from medium or high power resonators for your favorite bands.

**2** Fold over, 360° swivel mast for quick band change or easy garaging. Select from two versions, fender/deck or bumper mount location.

**3** Stainless steel ball mount, 180° adjustable, commercial duty for superior mechanical and electrical performance.

**4** Get exceptional reports, broadest bandwidth, lowest SWR. Use with any convenient length 50 ohm coax. Matching devices not required.

**5** For convenience, use the Hustler stainless steel resonator spring, and special design quick disconnect.

...and you'll mobile  
with the experts' foremost  
choice... **HUSTLER**

Get fixed station reports from your mobile—operate 6-10-15-20-40-75 or 80 meters with the experts and join the vast majority using Hustler for nearly two decades.



Model SSM-2 Ball Mount



Model BM-1 Bumper Mount



Model QD-1 Quick Disconnect



Model RSS-2 Resonator Spring



Model L-14-240 Mil Spec 50 Ohm Feedline



Model MO-1 For Deck or Fender Location



Model MO-2 For Bumper Mount Location



Super Resonators RM(S) 2 KW PEP Greatest Bandwidth



Standard Resonators RM 400 Watts PEP

"the home of originals"



Available from  
all distributors  
who recognize the best.

**new-tronics  
corporation**  
15800 Commerce Park Drive  
Brookpark, Ohio 44142  
(216) 267-3150

HUSTLER ANTENNA PRODUCTS—for sixteen years—original designs—created and manufactured by American ingenuity, labor and materials—used by communicators throughout the world.

Hustler designs are patented under one or more of the following assigned to New-Tronics Corporation 3287732, 3513472, 3419869, 3873985, 3327311, 3599214, 3582951.



# 10 SECONDS TO GO MOBILE!

An exclusive feature of the

## Atlas 210X / 215X SSB TRANSCEIVER

The Atlas exclusive Plug-in-and-Go mobile mount has specially designed rear connectors for DC power input, antenna jack, and mic jack that match the same connectors on the Atlas transceiver. To go mo-

bile, just slip the 210X into the mobile mount and all connections are made automatically. In just 10 seconds, you're on the air mobile!

Other features of the Atlas 210X/215X include:

- All solid state design
- 200 watts power rating and no transmitter tuning.
- Full 5 band coverage (210X covers 10-80 meters, 215X covers 15-160 meters)
- Weighs just 7 pounds and is only 3½" high x 9½" wide
- Plug-in circuit boards
- Phenomenal selectivity with exclusive 8 pole crystal ladder filter
- Exceptional immunity to strong signal overload and cross modulation

### ACCESSORIES

AC Console 110/220V .....	\$149
(With VOX and semi-CW installed add \$46)	
Portable AC Supply 110/220V .....	\$100
Plug-in Mobile Kit .....	\$48
Model DD6-C Digital Dial only .....	\$229
10XB Osc. less crystals .....	\$59
Mobile Antenna Matching Transformer MT-1 .....	\$27
DL 200 Dummy Load, 200 watt intermittent or 60 watt continuous power rating. ....	\$9

For complete details see your Atlas dealer, or drop us a card and we'll mail you a brochure with dealer list.



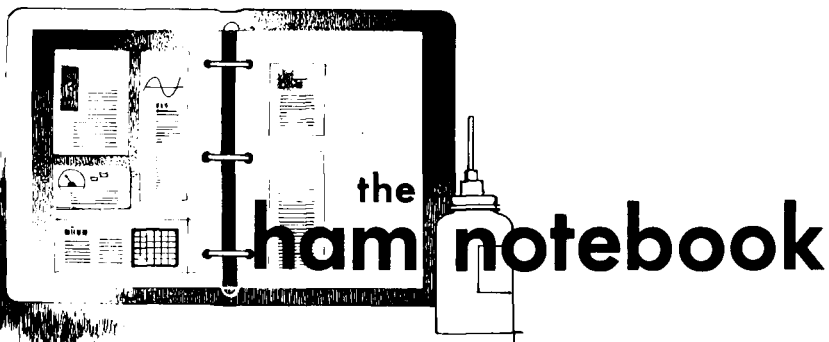
**MADE IN U.S.A.**

**ATLAS  
RADIO INC.**

417 Via Del Monte • Oceanside, CA 92054 • Phone (714) 433-1983

Special Customer Service Direct Line (714) 433-9591

Model 210X or 215X Transceiver ..... \$679.  
(With noise blanker installed add \$40)



## drilling template for integrated circuits

Any amateur scanning the amateur magazines is amazed at the diverse and ambitious construction projects presented. One item that might prevent a large number of amateurs from tackling similar projects is the problem of making printed-circuit boards. Most amateurs lack the necessary equipment and area to fabricate PC boards by the photographic method. The sticky-back foil patterns available are relatively expensive and can result in the board costing more than the components. The remaining technique of resist pen and ink is slow but economical. In the past,

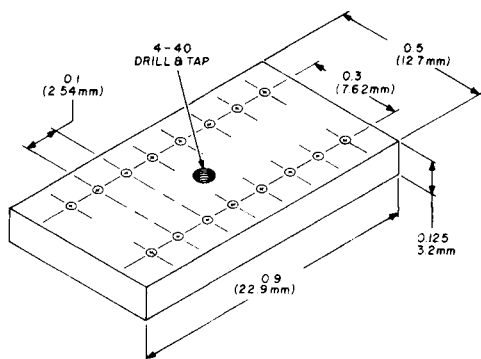


fig. 1. Dimensions of template block for drilling DIP holes in printed-circuit boards.

straight sketching on the cleaned copper-clad board was adequate for simple transistor circuits, but the advent of dual-in-line packages has imposed a need for higher accuracy.

One method to fill the gap between foil and resist-pen techniques is shown in fig. 1. A 1/8-inch (3mm) thick plate has been precision-drilled for a 16-pin dual-in-line hole pattern. The same plate can be used for 8- or 14-pin layouts. In practice, a single hole is drilled with a no. 32 (3mm) drill and the plate is

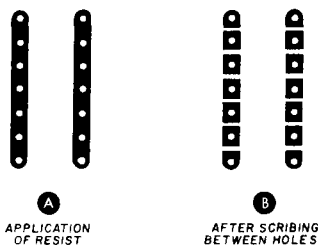


fig. 2. Applying resist pattern for DIP IC packages, (A) application of resist; (B) after scribing between holes.

clamped to the foil side of the board with a single 4-40 (M3) screw through the hole. With the plate in place, the drilling of the required hole pattern is simple and rapid. The result is an accurate hole pattern with evenly spaced holes.

Next, the pads must be marked with a resist pen. This is easily accomplished by first marking each line of holes with a continuous stroke as shown in fig. 2A. Then a scribe is used to separate and isolate each hole pad as shown in fig. 2B. Using this method, a clock driver circuit using four 14-pin packages was drilled, laid out, etched, and completed in less than two hours.

The drilling template can be made by any amateur or professional machinist.

We were able to get a local machinist to make them for \$4.00 each from brass and \$6.00 each from stainless steel. If you have trouble getting one made up, we would be glad to sell them at cost to any amateur.

John M. Franke, WA4WDL  
Norman V. Cohen, WB4LJM

## heterodyne crystal switching in Heathkit SB-series equipment

Heterodyne crystal frequency changing has come into some use due to the desire by many amateurs to communicate with Oscar and MARS stations. Rather than permanently replacing the crystal (which seems permanent) or using a relay to switch the crystal (which isn't really necessary), I devised the following means.

A small Z-shaped aluminum bracket was secured to the chassis between tubes V-10/11 and V19 by two 4-40 (M3) nuts and screws which replaced the existing ones. A crystal socket and a spdt switch are mounted on the bracket and wires as shown in fig. 3. This enables any heterodyne crystal to be

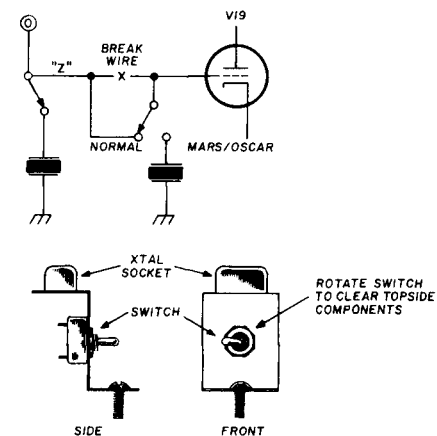


fig. 3. System for improved heterodyne crystal switching in the Heath SB-series equipment.

changed easily. Nothing is lost or permanently changed, just added and easily removed. I used a socket which accepts FT-243 and HC-17/U holders since pins can be soldered to HC-6/U holders to fit that socket as well.

Paul Pagel, K1KXA



## Drake R4-C modification

At low listening levels, when using headphones or speaker with the Drake R4-C receiver, the audio is noticeably contaminated with power supply ripple. This may be corrected by a remarkably simple modification which will become obvious after examination of the chassis layout.

In order to connect the diode and regulator board located near the rear of the chassis with the filter capacitors located near the front of the chassis, connecting wires have been run in a circuitous manner alongside the audio cables and through the wiring harness. Return currents to the power transformer center taps travel through the chassis underneath the audio board ground connections.

To re-route these ground currents, simply clip the red-yellow transformer lead from the grounded tie-point at the rear of the chassis and, by splicing in another piece of wire, connect it to a ground lug of filter capacitor C163. In a similar manner, move the blue-yellow transformer lead to a ground lug of filter capacitor C166, and dress both wires along the inner edge of the chassis. Next, locate the white-purple lead which goes into the wiring harness and emerges again to connect with capacitor C166  $\Delta$ , clip one end of this wire from the base of regulator transistor Q2, and clip the other end of the wire where it is fastened to the capacitor. Replace this wire with another and dress it with the two wires already installed and dressed along the inside edge of the chassis as previously described. This procedure should be repeated with the white-orange lead to capacitor C166D, and the white-yellow lead to C163  $\square$ . Additional capacitance across filter capacitor C166 helps to a small degree, but the major improvement is obtained simply by moving the wires as described.

George R. Bailey, WA3HLT

## Heath SB-102 modifications

I have previously written about R955, a 100k resistor, being underrated. It avalanches down in value and burns

up. Replace R955 with a 1- or 2-watt resistor (page 58, June, 1975, *ham radio*). There is at least one other resistor, R103, which has similarly burned up. Replace it with a 1- or 2-watt resistor as well.

In both of my Heath SB-102s I have encountered another problem which is especially bad in the CW mode. After transmitting for a couple of minutes and then reverting to the receive condition, the S-meter drops nearly to zero for two or three seconds and then quickly builds up to a high value (S9+20 dB or more), which desensitizes the receiver to a weak incoming signal for about 30 to 60 seconds. There is an easy top-of-the-board fix for this problem, however.

Without going into all the detail, tube V2 is acting as a noise generator for the short time that screen voltage remains on the tube after reverting to the receive mode. I found an easy way to cut this stage off promptly when reverting to the receive condition, without unduly upsetting the ALC action of the stage. After much "cut and try" of values, the following was adopted as a satisfactory solution to the problem.

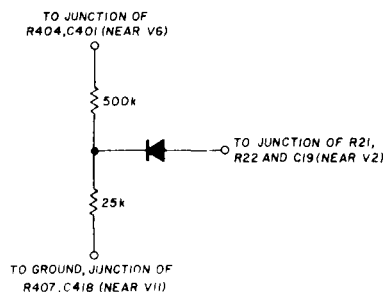


fig. 4. V2 will be cut off completely using this addition to the bias.

Locate R404 (near V6) where it joins C401. Attach one end of a 500k,  $\frac{1}{2}$ -watt resistor to this point. Connect the other end of the new 500k resistor to the cathode end of a diode and to one end of a 25k,  $\frac{1}{2}$ -watt resistor. The other end of the 25k resistor goes to ground, which can be conveniently picked up at the junction point of R407 and C418 (near V11). The other end of the diode goes to the junction point of R21 and R22. The schematic diagram is shown in fig. 4.

Lowell White, W2CNQ

## suppression of rf interference in telephones

Contemporary telephone design often fails to take into account interference from a potentially large number of rf energy sources. Varistors are used in telephones as high-level audio limiting devices, but they also detect and rectify rf, making each telephone behave somewhat like a crystal receiving set in the presence of strong rf fields.

Several telephone manufacturers have designed and developed telephones capable of satisfactory operation in the presence of strong rf fields, but these special sets are not normally stocked by most local telephone company offices. Therefore, it is desirable, if not essential, to find another means of filtering rf energy from ordinary telephones. Fortunately, a simple modification to the telephone renders the set immune to rf interference and makes complete rf suppression possible.

An inductor, designated 1542-A, consists of two rf chokes and serves as an effective rf filter at broadcast frequencies. Moreover, 1542-A inductors are readily available at most telephone company offices and are often installed in home telephones to suppress rf from powerful local broadcast stations. Unfortunately, at some amateur frequencies, the rf chokes of 1542-A inductors becomes highly reactive and may burn up in the presence of very strong rf fields. Although such an occurrence is unusual, it can happen, and may be easily prevented in the following manner.

For Bell Telephone series-500 telephone sets:

1. Place a 1542-A inductor in series with the telephone set.
2. Connect a 0.01  $\mu$ F capacitor across the receiver element.
3. Connect a 0.01  $\mu$ F capacitor between terminal RR and terminal C of the telephone network.
4. Connect a 0.01  $\mu$ F capacitor between terminal GN and terminal R of the telephone network.

For General Telephone series-80 telephone sets:

1. Place a 1542-A inductor in series with the telephone set.
2. Connect a 0.01  $\mu\text{F}$  capacitor across the receiver element.
3. Connect a 0.01  $\mu\text{F}$  capacitor between terminal 4 and terminal 23 of the telephone network.
4. Connect a 0.01  $\mu\text{F}$  capacitor between terminal 1 and terminal 23 of the telephone network.

These modifications render the telephone immune to interference from rf energy and disable it as a crystal set. The 1542-A inductor limits the rf passed to the telephone, and the capacitors bypass rf energy.

When building or installing a phone patch, it is desirable to install a 1542-A filter in the telephone line to the patch. If a filter is not available, two 2.5 mH rf chokes can be installed in series with the telephone line to the patch, one choke in each side of the line. They should be mounted inside the patch cabinet or box, and a 0.01  $\mu\text{F}$  capacitor connected across the telephone line on the patch side of the rf chokes. The microphone side of the patch should also be decoupled by a 2.5 mH rf choke placed in series with the microphone lead inside the phone patch. A 470 pF bypass capacitor should be connected between the microphone side of the rf choke and ground. With this simple modification, telephone patching is immune to rf interference.

Rf detection by phone patches and telephone sets can also be a good indication of a poor ground or a poor antenna system at the rf source. It is therefore desirable to have a good antenna and ground system at the transmitter for radiation efficiency as well as for reducing stray rf energy.

Ken Anderson, K7LDZ

## S-meter for Genave transceivers

Since Genave transceivers do not have tuning meters or S-meters to assist in tuning weak stations, I installed the simple circuit of fig. 5 in my GTX-200 to take care of this omission. I drilled a hole for a phone jack in the rear panel and installed the rest of the components by short leads on the bottom of the

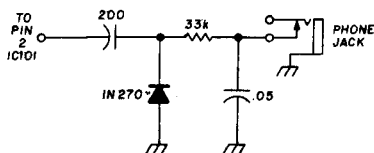


fig. 5. Simple circuit for adding an S-meter to the Genave two-meter transceiver. Meter is connected to the phono jack.

board. I have used a Heath IM-104 fet vom voltohmmeter and have also used a 25 micro-amp meter, direct. On my Genave, IC101 is the same as an RCA 3065E.

Larry M. Chrisman, K9OXX

## low-cost, two-meter mobile antenna

Have you ever wanted a simple two-meter mobile antenna that could be used in a hurry, that didn't have to be permanently mounted, that didn't cost much, and didn't require any hole drilling? I was in that category a few months ago — on a Sunday, as I recall. The stores were closed, but I wanted to go mobile with my TR-22 for a short trip and work some repeaters along the way. Here's how I solved the problem (with help from my wife).

I used a large stationery spring-clip, the kind with wide, flat clamping jaws and a pair of tabs or "ears" with holes in them. The holes looked to be the right size to accept the shell of an auto-type antenna connector that I happened to have in the junk box. I reamed the hole just a bit to accept the connector body, and bent the connector tabs over the edge of the clamp "ears" to secure the two together. After this was done, I attached a short length of RG-58/U coax to the assembly; shield braid to the clamp-shell and center conductor to the "hot" pin on the connector. Now for the antenna element.

I used the mating auto-antenna plug to mount a 19-inch (48.3cm) piece of music wire soldered to the tip. For insulation and security, I filled the top of the plug surrounding the wire with some five-minute epoxy and let it cure. Presto! The antenna was done, and it took only about one-half hour to build.

Results were just great. I clipped the makeshift antenna to the rain gutter molding on the mobile, and bent the tab

holding the antenna just enough so that the antenna was vertical. The coax was led through the partly-open window to the TR-22 on the seat next to me. Just for fun, I put an swr bridge in the circuit and was surprised — and pleased — to find that it was less than about 1.3:1. Until I bought my new 5/8-wave magnetic mount antenna, this little gutter-clamp job did the trick. Neither the electrons, nor the amateurs I talked to, knew the difference.

Jim Gray, W2EUQ

## IC230 modification

The ICOM model IC-230 transceiver has a push-button selector switch on the front panel labelled "megacycle switch." Also a slide switch on the top right corner, labelled A/B, provides  $\pm 600\text{-kHz}$  offset for repeater operation. When switching from 146 to 147 MHz or vice versa, the A/B switch must also be switched. Failure to do so, or forgetting what position it should be in, could put you outside the band. I have incorporated a minor modification to

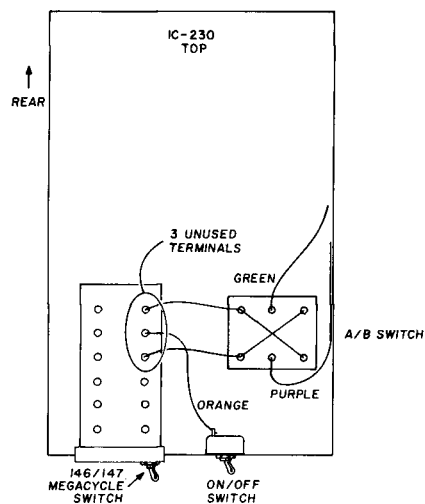


fig. 6. IC-230 modification to avoid out-of-band operation.

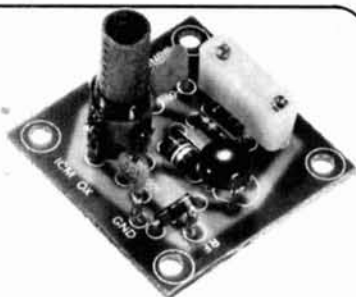
my IC230 to allow proper offset under all conditions when the A/B switch is left in position A (fig. 6). For special applications, opposite shift may be selected by switching the A/B switch to position B.

Bill Theeringer, W8PEY

# for the experimenter!

INTERNATIONAL CRYSTALS & KITS

OSCILLATORS • RF MIXER • RF AMPLIFIER • POWER AMPLIFIER



### OX OSCILLATOR

Crystal controlled transistor type. 3 to 20 MHz, OX-Lo, Cat. No. 035100. 20 to 60 MHz, OX-Hi, Cat. No. 035101  
*Specify when ordering.*

\$3.95 ea.



### MXX-1 TRANSISTOR RF MIXER

A single tuned circuit intended for signal conversion in the 30 to 170 MHz range. Harmonics of the OX or OF-1 oscillator are used for injection in the 60 to 179 MHz range. 3 to 20 MHz, Lo Kit, Cat. No. 035105. 20 to 170 MHz, Hi Kit, Cat. No. 035106  
*Specify when ordering.*

\$4.50 ea.



### PAX-1 TRANSISTOR RF POWER AMP

A single tuned output amplifier designed to follow the OX or OF-1 oscillator. Outputs up to 200 mw, depending on frequency and voltage. Amplifier can be amplitude modulated. 3 to 30 MHz, Cat. No. 035104  
*Specify when ordering.*

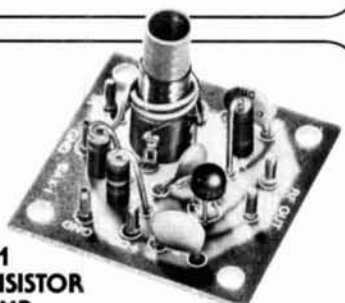
\$4.75 ea.



### OF-1 OSCILLATOR

Resistor/capacitor circuit provides osc over a range of freq with the desired crystal. 2 to 22 MHz, OF-1 LO, Cat. No. 035108. 18 to 60 MHz, OF-1 HI, Cat. No. 035109  
*Specify when ordering.*

\$3.25 ea.



### SAX-1 TRANSISTOR RF AMP

A small signal amplifier to drive the MXX-1 Mixer. Single tuned input and link output. 3 to 20 MHz, Lo Kit, Cat. No. 035102. 20 to 170 MHz, Hi Kit, Cat. No. 035103.  
*Specify when ordering.*

\$4.50 ea.



### DAX-1 BROADBAND AMP

General purpose amplifier which may be used as a tuned or untuned unit in RF and audio applications. 20 Hz to 150 MHz with 6 to 30 db gain. Cat. No. 035107  
*Specify when ordering.*

\$4.75 ea.



.02% Calibration Tolerance  
**EXPERIMENTER CRYSTALS**  
(HC 6/U Holder)

Cat. No.	Specifications	
031080	3 to 20 MHz — for use in OX OSC Lo	\$4.95 ea.
	<i>Specify when ordering</i>	
031081	20 to 60 MHz — For use in OX OSC Hi	\$4.95 ea.
	<i>Specify when ordering</i>	
031300	3 to 20 MHz — For use in OF-1L OSC	\$4.25 ea.
	<i>Specify when ordering</i>	
031310	20 to 60 MHz — For use in OF-1H OSC	\$4.25 ea.
	<i>Specify when ordering.</i>	

Shipping and postage (inside U.S., Canada and Mexico only) will be prepaid by International. Prices quoted for U.S., Canada and Mexico orders only. Orders for shipment to other countries will be quoted on request. Address orders to:  
M/S Dept., P.O. Box 32497,  
Oklahoma City, Oklahoma 73132.



**International Crystal Mfg. Co., Inc.**  
10 North Lee  
Oklahoma City, Oklahoma 73102

**PREASSEMBLED**

**COMPLETE KIT**



# Crescomm Frequency Counters Features:

- 1** High Sensitivity VHF pre-scaler (built-in). 100mv RMS @ 50Ω @ 300MHZ. Frequency range DC through 600MHZ Model 600.
- 2** Excellent temperature compensation crystal controlled time base, yielding  $\pm 1$  part/  $10^6$  stability per hour after 10 min warm-up,  $\pm 10$ PPM worst case, from 0° to + 55°C!, at 100Hz @ 450MHZ is attainable, typically if calibrated to WWVL. This is approximately 2 parts in  $10^7$ !
- 3** 7 digit display, resolution 100Hz with 10m Sec. gate interval, pre-scaled! 10Hz resolution with 1 Sec. pre-scaled, 1Hz resolution with 10 Sec. gate interval pre-scaled!
- 4** Built-in 5VDC regulator; input to 3-terminal regulator is accessible for use with 12VDC out-board PS. You can use this counter mobile.

- 5** Easy 6 hour assembly; all circuit broad tracks are pre-tinned, have drilled holes and are plated through! All I.C. sockets included - Makes trouble shooting a breeze.
- 6** Cabinet, plexy window and all necessary components included for easy, trouble-free assembly.
- 7** 90-Day full coverage warranty.

Optional accessories TCXO time base yielding 1/2 PPM stability. \$79.95

Optional 10 Sec. time gate resolution to 1Hz. \$15.00. (Free with purchase of above TCXO)

Optional 12VDC power receptacle and cord assembly \$15.00 (on preassembled counter only)

**"HAVE IT YOUR WAY"**

Complete kit or preassembled, burned in, and environmental chamber tested unit available for the commercial shop or modern ham shack.

KIT Model 600K      179.00 ea.      PREASSEMBLED & TESTED Model 600 AT      249.00  
 Bank Americard and Master Charge accepted. Please include account number with order.

NAME \_\_\_\_\_

STREET \_\_\_\_\_

CITY \_\_\_\_\_ STATE \_\_\_\_\_ ZIP \_\_\_\_\_

CALL SIGN \_\_\_\_\_ SEND CHECK OR MONEY ORDER TO:

**Crescomm** WIRE DIVISION • COMMUNICATION DIVISION • ELECTRONIC DIVISION  
**Incorporated**

Bldg. 13 Euclid Avenue, Newark New Jersey 07105 (201) 589-4647

# Proposed bands for tomorrow?

13950-14400 kHz

160-190 kHz

20700-21200 kHz

6950-7300 kHz

1750-1900 kHz

Drake FS-4 Solid State Synthesizer  
shown with Drake R-4C, MS-4 and T-4XC



## Drake is ready for 1979 TODAY!

- **NEW and EXPANDED amateur bands will be proposed at the 1979 World Administrative Radio Conference!**
- **If you have the Drake 4-Line, you are ready NOW for any of these hf frequencies by using either the Drake FS-4 solid state general coverage synthesizer or Drake selectable range crystals.**
- **Drake 4-Line equipment is designed for you to use — without fear of obsolescence — year after year.**

Drake 4-Line gear is already designed to give you coverage of *any* of the proposed new amateur band expansions in the hf range.

You can have them *all*, and everything in between, with the Drake FS-4 solid state synthesizer. It's ready to go with the R-4 series/T-4X series without modification. You can transceive as is or run split frequency with the Drake 1524 adapter.

You can adapt the Drake SPR-4 solid state receiver to use with the FS-4 by ordering interface kit 1523. The SPR-4 receiver will even cover the proposed new 1600 meter band at 160 kHz. If you do not wish to use the FS-4, you may select any of the specific new ranges with front panel selectable range crystals. There are 15 extra ranges on the R-4C, and four on the T-4XC.

Also consider the Drake L-4B linear amplifier — full power 2 kW PEP, ssb and 1000 W-dc cw, full rated for RTTY, offering full operator convenience with front panel by-pass switch and built-in precision high power wattmeter.

**R. L. DRAKE COMPANY**



*Will your gear  
still score in 1979?*

540 Richard Street, Miamisburg, Ohio 45342 • Phone (513) 866-2421 • Telex 288-017

Western Sales and Service Center, 2020 Western Street, Las Vegas, Nevada 89102 • 702/382-9470



The proof of the pudding  
is in the eating.



The proof of  
Triton IV  
is in owner satisfaction.

Here's some of the proof . . .

**K4EME** — This is my second TRITON IV. They are excellent xceivers! **WA8ICK** — Luv it. Dynamite! **W9NXU** — I am very thrilled with this unit, it is great. I think you have scooped the field. **WA0AYA** — I like CW and full break-in. (Beautiful) **K3TFU** — I love the unit. **WA3VEZ** — Rig is just great. Combined with your service makes a super transceiver. **WNOSED** — Beautiful radio to use. Magnificent CW filter! Just a pure joy. **WB1IT** — I have had my TRITON IV for two months and am delighted with it. **YN1MBV** — It is a very nice rig. **W3GTX** — New features very welcome. **W0BYC** — Bought one of the first TRITON II, like it so well I updated it with a TRITON IV. **W2TBK** — It is absolutely fantastic. **WBOOP1** — I am pleased with the rig. **WA3GJA** — Very-very-very nice. Good audio quality. **W5ZBC** — The most outstanding rig I have ever used. **K8CJQ** — Excellent rig. Good filters. **W7BKK** — Very happy . . . getting excellent quality reports. **W2CET** — Power-signal reports good. **WB2UEH** — I like the compactness and appearance. **VE31BK** — An excellent rig with superior receiving quality. **K41VM** — I think it is tops. **WA4LOG** — I've become so used to dip, peak and adjust, this TRITON is a beautiful new experience. **KL7JHW** — Easy to set up—works great. **K4JXD** — Seems to be very FB rig. **WA7KHE** — Fantastic performance. Thanks for a fine rig. **WB4BPG** — No problems—fine rig. **VE1BZ** — Good work. **W9HQT** — Receiver better than expected, CW break-in is super. **WOAP** — Tremendous transceiver. I appreciate your engineering. **WA2ZRO** — Wonderful. **K0SFV** — Real nice rig. You thought of almost every feature and built it in. **KQ9DQ** — Beautiful. **WBO1IQ** — Beautiful radio; however, your ads do not do justice to the radio. **WN5SOH** — Very sophisticated—Easiest tuning rig ever. Very glad I bought it. **K30JV** — Very impressed. **W4LZP** — Very good results. Put out 100 watts as good as 300 watt rigs. **WA4DQY** — I think the TRITON IV is great. **W6QXN** — Appreciate full CW break-in. **W0INH** — Enjoy light weight. **VE3CYK** — I am extremely pleased with the clarity of receiver and after putting rig on the air, received unsolicited compliments on the audio quality of the transmitter. **K4PHY** — Was 3rd in USA, first in fourth district in WWCQ contest. **W8RYU** — Own Argonaut. Both fine rigs. **W4CDA** — Compact, light weight, good engineering. **WB2WZG** — TRITON IV is the most versatile CW/SSB radio I have ever used. **WB2FMV** — Outstanding. Highly pleased with performance. **WABACZ** — A real nice rig. I have owned about every other make. **W5EGK** — Works nicely. **WB4ECO** — I tried this rig, a pleasure to operate. **WA4YRK** — Excellent reports on audio. **WB8NKB** — Wonderful. **W9QPQ** — An excellent rig. Love it. **W8SOP** — Makes running SSB nets a real breeze. Also good on CW nets. **WL7IRT** — Fantastic rig. **W4MDB** — Has rekindled my interest and enthusiasm in Amateur Radio to an extent I hadn't thought possible. It far out distances any competitive product at any price. **W6EYR** — Very nice. Been a ham for 45 years and now solid state perfection. **W2RPH** — Excellent rig. **WN0TDK** — TRITON IV is a fabulous piece of equipment. **W5VIW** — Very nice rig **WB2LQF** — Wow! **W9JCV** — Tnx for giving us a FB piece of equipment made in the USA. **W8GHO** — Very pleased. **K4KXB** — Seems to have everything desired. **W4SZ** — A pleasure to operate. **W2FKF** — Greatest rig I ever had. So far in a month 34 QSO's without one miss. Been a ham since 1922. **W4GVC** — Nothing but complements. **WB9EZE** — Well pleased with performance and simplicity of operation. **K4ETI** — Rig is great. **W8CNV** — Man! what a rig. I've had this call since 1929. Never saw anything like it and I've seen them all! **WB2MZU** — Seems like everything the S-----D--- was supposed to be at one third the price. **WN0VHE** — I think it is a very good rig. **WB9FTD** — Break-in CW is very impressive. **K0CBA** — I believe it is one of the finest HF transceivers on the market. I can't tell you how pleased I am with the noise blanker. I can get on the air from my home station again for the first time in a few years. Other rigs with noise blankers just didn't hack it. **WA7YHW** — I am very pleased with this equipment. It is certainly of high quality. **W711A** — Excellent equipment. **WBORWA** — Couldn't be more pleased with it. It certainly has performed beautifully and is all I expected and more. **WB4QJT** — Like it very much — keep up the good work. **WN1YX** — Really impressed with looks and performance. **W0NC** — Very FB rig. Performs up to specifications, an excellent design. **K8PBZ** — Already have TRITON II and IV. **W7KD** — This little "T-4" is smooth as silk . . . I've received some very flattering reports about transmitter voice quality and the CW operation is the greatest. **WN8TD** — I found that the TRITON IV was the best rig on the market for around \$800. I love it! **W2JBK** — It is absolutely fantastic. **W8FEI** — Am amazed at receiver performance. I thought I had a top notch receiver with the H-----! **W1FYM** — Your guarantee is refreshingly proper. **W8MOK** — Sure makes a guy look twice at his old tube type gear. **W1TFS** — Finest CW ever, CW selectivity very good. **WB6IVR** — Very satisfied with TRITON IV. Just what I was looking for to use on my yacht. Thanks. **WABONP** — Also have a TRITON II. I am pleased that Al Kahn and the good guys at TEN-TEC thought of the CW operator! **W2EMX** — Excellent Amateur gear meets and exceeds advertised claims. **W0AMJ** — It looks like there is nothing left to be desired. It is beautiful. **W6SE** — The receive function is outstanding. It is superb in transmit. **W1BV** — In love with this fantastic gem. It's so easy and a pleasure to operate. **W6ASH** — Very happy with performance. Particularly impressed with full break-in and light weight. **WA0IMS** — By far the best rig I have ever operated. I am glad I decided on the TRITON IV and not one of the other transceivers on the market. **WA8HQ** — Thank you gentlemen.

Add your name to the growing list. See your TEN-TEC dealer or write for full details.

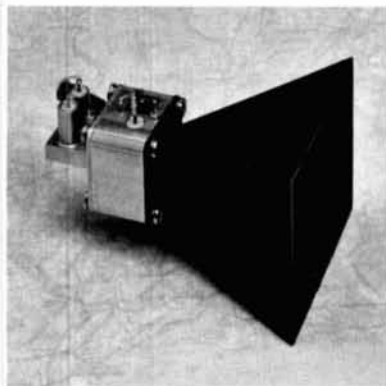


TEN-TEC, INC.  
SEVIERVILLE, TENNESSEE 37862  
EXPORT: 5715 LINCOLN AVE., CHICAGO, ILL. 60646



# NEW products

## Amateur 10-GHz Gunnplexer



Microwave Associates has recently announced a new solid-state transceiver designed especially for the Amateur 10-GHz band which consists of a varactor-tuned, frequency-modulated Gunn-diode oscillator and Schottky mixer diode. The rear portion of the unit pictured above consists of a Gunn-diode oscillator which directly converts dc (+10 Vdc nominal) to 20 mW of rf energy. The oscillator is preset to 10.250 GHz, the center of the Amateur band, unless otherwise specified. Mechanical tuning allows the center frequency to be tuned  $\pm 100$  MHz; the built-in varactor is used for frequency modulating the device and will deviate the center frequency up to 60 MHz, depending upon the applied tuning voltage.

The receiver section of the *Gunnplexer* consists of a low-noise Schottky

mixer diode which has a noise figure of about 12 dB when used with a low-noise i-f strip. A small amount of power from the Gunn oscillator (about 0.5 mW) is applied to the mixer diode through a ferrite circulator integrated into the waveguide mount. The circulator also isolates the receiver and transmitter functions of the module. A horn antenna with 17 dB gain is available as an accessory.

Since the Gunn oscillator provides both transmit power and mixer injection, the setup for radio communications is similar to that used with klystron-based polaplexers (see page 40, this issue), *i.e.*, the center frequencies of the *Gunnplexers* used at each end of a communications link must be offset by the i-f frequency, typically 30 MHz. Fm broadcast receivers can also be used for the i-f system, with afc applied to the *Gunnplexer* tuning varactor to minimize frequency drift (which is  $-350$  kHz/ $^{\circ}$ C maximum without afc).

Maximum range with the 20 mW Microwave Associates *Gunnplexer* depends on a number of factors including required fm signal-to-noise ratio, fm deviation, i-f bandwidth, and antenna gain. However, assuming a 10-dB signal-to-noise ratio (the threshold of speech in an fm system), a line-of-sight path between stations, and the accessory 17-dB horn antennas, maximum range is about 25 miles with a 240-kHz i-f bandwidth (that used in fm broadcast receivers). If the i-f bandwidth is decreased to 50 kHz, maximum range is about 55 miles.

The *Gunnplexers* can be used for two-way communications, as a link between repeater sites, security alarms, or fm doppler radar systems. A separate power supply, fm modulator, and receiver must be provided by the user. The MA87127 *Gunnplexer* is priced at \$85. Also available is the MA87108

which consists of the Gunn oscillator and tuning diode module (\$60). A *Gunnplexer* with the accessory 17-dB antenna is priced at \$108. Two complete transceivers with horn antennas, MA87141, are \$185. For more information, write to Microwave Associates, Inc., Northwest Industrial Park, Burlington, Massachusetts 01803.

## H-P frequency counter extends range to 1300 MHz



Frequency measurements to 1300 MHz covering mobile communications bands, vhf and uhf television, am and fm broadcast, TACAN and DME frequencies are now possible with Hewlett-Packard's Model 5328A Universal Counter using a new module. Called Option 031, the module adds five features to the counter's capabilities:

- 1) Extends frequency range to 1300 MHz
- 2) Provides 20 millivolt sensitivity for measuring low-level signals
- 3) Adds automatic gain control (AGC) for protection against overload
- 4) Includes a fused 50 ohm input channel
- 5) Provides accessory power for a 20 dB preamplifier for more sensitivity.

The basic Model 5328A with no options makes frequency measurements to 100 MHz, and single-shot time interval measurements to 100 nanoseconds reso-



lution. Time interval averaging increases resolution to 10 picoseconds for repetitive events. It also measures period, period average and frequency ratio, and will totalize and scale inputs. Frequency measurement sensitivity is 25 millivolts rms to 40 MHz and 50 millivolts rms to 100 MHz. With its eight-digit display and a standard crystal time base, the basic Model 5328A sells for \$1300. U.S. price of Option 031 is \$600, and delivery is 4 weeks.

For additional information write to Hewlett-Packard Company, 1501 Page Mill Road, Palo Alto, California 94304, or use *check-off* on page 126.

## circuit-stik/centron catalog

Circuit-Stik and its sister company, Centron Engineering, announce the release of their new condensed catalog no. 503, merging three distinct product areas of the two companies: Circuit-Stik's unique sub-elements for making instant circuit boards, pre-etched GP (general purpose) prototype and wire wrap socket boards, and Centron Engineering's printed circuit drafting aids for making circuit board master artworks.

Each area features new products and detailed information for many applications, assembly ease and time-saving features. A *How to Use* section with technical specifications is included. Several new microprocessor oriented GP boards, as well as new card cages and accessories, are featured in the GP Board section, New IC DIP continuous patterns are offered in the drafting aid area.

For further information, contact: Circuit-Stik/Centron Engineering, Inc., 24015 Garnier Street, Torrance, California 90505.

## variable speed tape transport for microprocessors

The Triple I Division of The Economy Company of Oklahoma City is now offering a new low-cost variable-speed model to its line of electronic cassette tape transports. Features of the variable speed model include: four-



the word's out  
your ears  
tell you  
there's a  
difference  
with  
Kūlrod®

Just listen on VHF or UHF. Before long you'll discover that the guy with the full quieting signal, the readable signal, the one that gets through best usually says: "... and I'm using a Larsen Kūlrod Antenna."

This is the antenna designed, built and ruggedly tested in the commercial two-way field. It's the fastest growing make in this toughest of proving grounds. Now available for all Amateur frequencies in 5 different easy-on permanent mounts and all popular temporary types.

Make your antenna a Larsen Kūlrod and you'll have that signal difference too. Also good looks, rugged dependability and lowest SWR for additional pluses.

FREE: Complete details on all Kūlrod Amateur Antennas. We'll send this catalog along with names of nearest stocking dealers so you can get the full quieting "difference" signal.

\* Kūlrod is a registered trademark of Larsen Electronics



**Larsen Antennas**

11611 N.E. 50th Ave. • P.O. Box 1686 • Vancouver, WA 98663 • Phone: 206/573-2722  
In Canada write to: Canadian Larsen Electronics, Ltd.  
1340 Clark Drive • Vancouver, B.C. V5L 3K9 • Phone: 604/254-4936



## THE FM LEADER



**2 METER**  **220 MHz**   
**6 METER**  **440 MHz** 

### FEATURING THE...

#### HR-2B



12 Channels  
15 Watts  
\$229<sup>00</sup> Amateur Net

#### The Master in 2 Meter FM

Positive performance at a practical price makes our HR-2B tops on 2 meters. Individual trimmer capacitors give bull's-eye accuracy for working repeaters or point-to-point. The  $.35\mu\text{V}$  sensitivity and Hi/Lo power switch insure your hearing and being heard . . . clearly and reliably . . . the Regency way.

### ... AND THE

#### HR-440



12 Channels  
10 Watts  
\$349<sup>00</sup> Amateur Net

#### UHF—The Ultimate in FM

440 is fresh . . . it's new . . . and with our HR 440 you can use UHF without using-up your budget. So, pioneer some new ground! Put a compact HR 440 under your dash or at your desk. It's the best way to usher yourself into UHF.

motor control, remote control capabilities, fast start-stop, less than 30-second rewind, ac or battery-operated and variable speeds (0.4 to 10 IPS). Nominal power requirements are 7.0 volts dc at 600 mA.

In addition to use in microprocessors, the unit has applications in data recording/logging/storage, programming, instrumentation, industrial controls, data duplicating, security/automatic warning systems, testing apparatus, audio-visual education, hi-fi, and other general applications.

Four separate motors control take-up, rewind, play or record, and head engagement. The separate motors allow the most complex tape deck function to be accomplished by remote control. Flutter, wow and jitter are minimal because the capstan drive motor has only one job — moving the capstan.

Control Boards for the Phi-Decks, which are TTL, DTL, and CMOS compatible, contain all the circuitry for proper control of the Phi-Deck tape transport.

Options such as EOT/BOT sensing, record/play, read/write, electronics, cassette-in-place sensing, and others are available.

For further information, write or call Triple I, a division of The Economy Company, 1901 North Walnut, Box 25308, Oklahoma City, Oklahoma 73125; telephone (405) 528-8444, Ext. 71 or 79, or use *check-off* on page 126.

### four-channel hi-fi decoder

National Semiconductor Corporation and Tate Audio Limited have combined efforts to produce a kit of three types of integrated circuits that will accurately reproduce quadraphonic four-channel high-fidelity sound from phonograph records. Quad hi-fi, which can reproduce sound with concert-hall realism, is expected to become a standard format of the recording industry, and could eventually replace stereophonic sound formats.

Tate designed its system to decode CBS SQ-type program material from phonograph records and tape cassettes after making an exhaustive analysis of the theories and practicality of all techniques for reproducing four channels of sound. The SQ technique uses standard,

© 1976  **REGENCY, INC.** 7707 Records Street  
Indianapolis, Indiana 46226

existing pick-up components that are compatible with monaural and stereophonic formats. In addition, the SQ format is compatible with stereophonic broadcasting methods to make use of a broad range of records and tapes already produced by CBS and other major companies.

Separation of channels in any direction approaches 40 dB across the entire audio bandwidth, while the signal-to-noise ratio is 70 dB. Total harmonic distortion is only 0.05 per cent. These parameters meet the most demanding specifications of high-fidelity sound technology.

Although the Tate system is sophisticated in concept, its comparatively low number of external components permits a circuit board size of only 1.5x3.25 inches (36x80mm).

Additional information may be obtained by contacting Roy L. Twitty, National Semiconductor Corporation, 2900 Semiconductor Drive, Santa Clara, California 95051; telephone (408) 737-5287; or Wes Ruggles, Tate Audio Limited; telephone (213) 822-3189; or use *check-off* on page 126.

## microcircuit computes true rms value

The first genuinely low-cost *true rms* converter with guaranteed accuracy, crest factor, and frequency response is now available from National Semiconductor. Known as the model LH0091, the new converter will compute the root-mean-square value of virtually any combination of ac or dc input signal from dc to 2 MHz. The device is ideal for use in digital voltmeters, in digital multimeters, in measuring audio signals or noise levels, in making harmonic or vibrational analyses, and in power measurement and control. An uncommitted amplifier is provided for filtering, gain, or high-crest-factor configuration.

The LH0091 is manufactured in two kinds of 16-lead dual in-line packages. Available in both commercial and military temperature range, the device is priced between \$22.50 and \$44.00, depending on the temperature range. For more information write National Semiconductor, 2900 Semiconductor Drive, Santa Clara, California 95051.

# ...every tower in the world should be made this good.

Once in a while something really big comes along like Tri-Ex's all new W-80. So big we decided to call it the "Big W".

It's the big one of Tri-Ex's "W" Series towers.

Early on was the W-51. A superb performer and very popular still.

Last year came the W-67. Higher, bigger, stronger.

Now the W-80, Tri-Ex's "Big W" tower.

### Excellent Performance

Provides good DX capability at low costs. And if you're watching the sunspot cycle—it's now on an upswing for better than average transmission and reception.

"Big W" is a free-standing, crank-up tower that goes a full 80-feet up. You can lower it with relative ease under windy conditions using "Big W's" comfortably positive pull-down cable to protect your antenna load.

### Inherently Strong

As with all "W" Series towers, the W-80 is made of high strength steel tubing legs with solid rod "W" bracing. Stable? You bet!

Hot dipped galvanized after fabrication. Long lasting. Five sections. Included is a free rigid base mount. And the top plate is pre-drilled for a TB-2 thrust bearing.

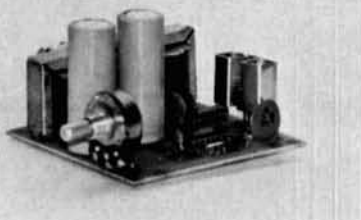
Is Tri-Ex's "Big W" your kind of tower? Better believe it! Write today or see your nearest dealer. Ask about the W-80. It's real.

# NEW "BIG W"

  
**Tri-Ex®**  
TOWER CORPORATION

7182 Rasmussen Avenue, Visalia, California 93277

# ADVA



## KIT \$11<sup>95</sup>

ASSEMBLED \$17.95  
ADD \$1.25 FOR  
POSTAGE/HANDLING

# VARIABLE POWER SUPPLY

- Continuously Variable from 2V to over 15V
- Short-Circuit Proof
- Typical Regulation of 0.1%
- Electronic Current Limiting at 300mA
- Very Low Output Ripple
- Fiberglass PC Board Mounts All Components
- Assemble in about One Hour
- Makes a Great Bench or Lab Power Supply
- Includes All Components except Case and Meters

### OTHER ADVA KITS:

**LOGIC PROBE KIT**—Use with CMOS, TTL, DTL, RTL, HTL, HNIL and most MOS IC's. Built-in protection against polarity reversal and overvoltage. Draws only a few mA from circuit under test. Dual LED readout. Complete kit includes case and clip leads. **ONLY \$7.95**

**FIXED REGULATED POWER SUPPLY KITS**—Short-circuit proof with thermal current limiting. Compact size and typical regulation of 0.5% make these ideal for most electronic projects. Available for 5V @ 500mA, 6V @ 500mA, 9V @ 500mA, 12V @ 400mA, 15V @ 300mA. Specify voltage when ordering. **\$8.95 ea.**

These easy-to-assemble kits include all components, complete detailed instructions and plated fiberglass PC boards. Power supply kits do not include case or meters. Add \$1.25 per kit for postage and handling.

**MAIL NOW! FREE DATA SHEETS** supplied with many items from this ad. **FREE ON REQUEST**—741 Op Amp with every order of \$5 or more—748 Dual Op Amp or two E100 FET's with every order of \$10 or more, postmarked prior to 3/31/77. One free item per order. **ORDER TODAY**—All items subject to prior sale and prices subject to change without notice. All items are new surplus parts—100% functionality tested.

**WRITE FOR FREE CATALOG #76** offering over 350 semiconductors carried in stock. Send 12¢ stamp.

**TERMS**—Send check or money order (U.S. funds) with order. We pay 1st Class postage to U.S., Canada and Mexico (except on kits). \$1.00 handling charge on orders under \$10. Calif. residents add 6% sales tax. Foreign orders add postage. COD orders—add \$1.00 service charge.

### MORE SPECIALS:

**RC4195DN** -15V @ 50mA VOLTAGE REGULATOR IC. Very easy to use. Makes a neat Highly Regulated -15V Supply for OP AMP's, etc. Requires only unregulated DC (18-30V) and 2 bypass capacitors. With Data Sheet and Schematics. 8-pin mDIP **\$1.25**

**LM741** FREED COMPENSATED OP AMP. μA741, MC1741, etc. mDIP 5/S1 **\$1.25**

**MC1458** DUAL 741 OP AMP mDIP **3/S1**

**RC4558** DUAL 741 OP AMP mDIP **3/S1**

**2N3904** NPN TRANSISTOR AMPLIFIER/SWITCH to 50 mA @100 6/S1

**ZENERS**—Specify Voltage 3.3, 3.9, 4.3, 5.1, 6.8, 8.2, 10, 12, 15, 16, 18, 20, 22, 24, 27, or 33V (±10%) 1 Watt 3/S1.00

- MONEY-BACK GUARANTEE
- ALL TESTED AND GUARANTEED

# ADVA

ELECTRONICS  
BOX 4181 Q, WOODSIDE, CA 94062  
Tel. (415) 851-0455

# FREE

IC or FET's WITH  
\$5 & \$10 ORDERS.†  
DATA SHEETS  
WITH MANY ITEMS.

DIODES & RECTIFIERS	TRANSISTORS	TRANSISTORS	TRANSISTORS	TRANSISTORS	LINEAR IC'S
1N4001 1A 50V	2N706 50 24	2N4001 3/S1	2N4638 2/S1	LM3008 5 81.75	
1N4002 1A 50V	2N718 24	2N4002 3/S1	2N5560 2/S1	LM3008 5 1.75	
1N4004 1A 50V	2N720 40	2N4121 3/S1	CP643 50.00	LM3007 6 1.75	
1N4007 1A 50V	2N781 3/S1	2N4122 3/S1	CP650* 50.00	LM3007 12 1.75	
1N4234 1A 50V	2N1813 50 20	2N4128 5/S1	CP651 50.00	LM3007 15 1.75	
1N486 1A 50V	2N1711 20	2N4248 5/S1	E100 4.25	LM3007 24 1.75	
1N746 1A 50V	2N1890 38	2N4249 5/S1	E101 3.25	LM378N* 55	
1N758 4/S1	2N1893 38	2N4250 4/S1	E102 3.25	LM378N 2.50	
1N914* 15/S1	2N2219 24	2N4274 5/S1	E175 3.25	LM3800 1.25	
1N982 1A 50V	2N2222A* 6/S1	2N4302 50.00	MPF102* 3.25	NE555V* 2.25	
1N974 4/S1	2N2222A* 5/S1	2N4303 29	MPF104 3.25	NE568A 50.00	
1N3064 6/S1	2N2380 5/S1	2N4338 51	MPF112 4/S1	LM799CH 29	
1N3000 6/S1	2N2800 52	2N4350M 2/S1	MP0515 3.25	LM799CN 29	
1N4001* 12/S1	2N2809 52	2N4391 51	SE1001 4.25	LM723H 2.91	
1N4002 12/S1	2N2905 50 24	2N4392 50.00	SE1002 4.25	LM723N* 3.01	
1N4003 12/S1	2N2906A 24	2N4416 2/S1	SE2001 4.25	LM738N 3.25	
1N4004 12/S1	2N2907* 52	2N4416A 50.00	SE2002 4.25	LM738N 3.25	
1N4005 10/S1	2N3553 51 50	2N4906 1A 81	SE5001 3.25	LM701CN* 4.91	
1N4006 10/S1	2N3563 6/S1	2N4861 81	SE5002 3.25	LM71CN1A 24	
1N4007 10/S1	2N3564 6/S1	2N4876 2/S1	SE5020 50.00	LM747CN 65	
1N4148 15/S1	2N3565 1A 6/S1	2N4884 2/S1	E1073 1A 3.25	LM747CN 35	
1N4154* 25/S1	2N3568 6/S1	2N4881 52 50	E1075 1A 3.25	LM747CN 1.00	
1N4370 1A 2/S1	2N3638 6/S1	2N4888 81	DIGITAL IC'S	84ACP mDIP 80	
1N4372 1A 2/S1	2N3638A 5/S1	2N4905 3.25	74ALS00 1.15	LM1300N 1.15	
1N4454 15/S1	2N3641 5/S1	2N5087 4/S1	MM5378N 52.95	LM1458N* 2.91	
1N4728 1A 3/S1	2N3642 5/S1	5N15080 4/S1	SN7400N 16	LM2111N 51.40	
1N4753 1A 3/S1	2N3643 6/S1	5N126 1A 6/S1	SN7410N 16	XR2550CP 1.55	
1N4754 1A 3/S1	2N3644 4/S1	5N135 1A 6/S1	SN7420N 16	7401E 1.50	
1N5236 4/S1	2N3646 4/S1	5N130 5/S1	SN7440N 16	CA3028A 1.75	
	2N3888 1A 3/S1	5N139 5/S1	SN7451N 16	CA3046 84	
	2N3890 1A 3/S1	5N163 3/S1	SN7451N 16	LM3975N1 1.45	
1N5128 1A 5/S1	2N3891 4/S1	5N197 5/S1	SN7475N 38	CA3085* 55	
1N5144 5/S1	2N3892 4/S1	5N199 2.50	SN7476N 38	LM3000N 55	
05 164MHz 5/S1	2N3893 4/S1	5N210 3/S1	SN7480N 44	RC4194D 1.50	
F2 432MHz 5/S1	2N3894 4/S1	5N210 3/S1	LINEAR IC'S	LM309CN 2.00	
MV830 1A 5/S1	2N3895 4/S1	5N2457 3/S1	LM3037H 27	LM4250CN 2.00	
MV832 1A 5/S1	2N3900 5/S1	5N2458 3/S1	LM3038N 38	RC4580N 55	
MV1620 1A 5/S1	2N3901 5/S1	5N2459 3/S1	LM309K 1.25	NE555V 85	
MV1634 1A 5/S1	2N3919 55.00	5N2486 2/S1	LM311N 90	NE558V 55	
MV1888 1A 5/S1	2N3922 5.00	5N2488 2/S1	LM311N 90	JA7805UC 1.25	
MV1892 1A 5/S1	2N3954 3.20	5N2543 52.00	LM329K 5 1.35	ES88 DIP* 3.75	
MV220 1A 5/S1	2N3956 1.15	5N2544 2.50	LM329K 15 1.35	DM73402 80	
MV2205 5/S1	2N3970 1.00	5N2561 12.00	LM329K 15 1.35	DM73402 80	

### \*SUPER SPECIALS:

1N914 100V/10mA Diode	20/S1	MPF102 200MHz RF Amp	3/S1
1N4001 100V/1A Rect.	15/S1	40673 MOSFET RF Amp	\$1.75
1N4154 30V 1N914	25/S1	LM324 Quad 741 Op Amp	.94
BR1 50V 1/8 Bridge Rect.	4/S1	LM376 Pos Volt Reg mDIP	5/S1
2N2222A NPN Transistor	6/S1	NE555 Time mDIP	2/S1
2N2907 PNP Transistor	6/S1	LM723 2.37V Reg DIP	3/S1
2N3055 Power Xistor 10A	.69	LM741 Comp Op Amp mDIP	4/S1
2N3904 NPN Amp/Sw @100	6/S1	LM1458 Dual 741 mDIP	3/S1
2N3906 PNP Amp/Sw @100	6/S1	CA3086 5 Trans Array DIP	.55
CP650 Power FET 1/2Amp	5/S1	RC4195DN 15V/50mA mDIP	1.25

RF391 RF Power Amp Transistor 10 25W @ 3-30MHz TO-3 **\$5.00**

555X Timer 1uS Th Different pinout from 555 (w/data) **3/S1**

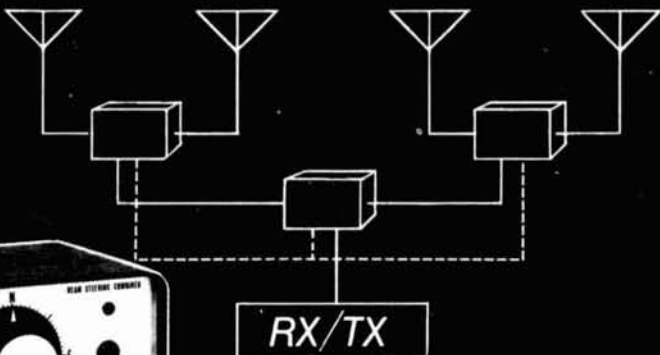
RC4194TK Dual Tracking Regulator -0.2 to 30V @ 200mA TO-66 **\$2.50**

RC4195TK Dual Tracking Regulator -15V @ 100mA TO-66 **\$2.25**

8038 Waveform Generator 1/2 Wave With Circuits & Data **\$3.75**

# STEERABLE PHASED ARRAYS

## 2 ELEMENTS OR 4 ELEMENTS



## NOW THEY ARE MADE PRACTICAL BY THE OMEGA-T 2000C BEAM STEERING COMBINER

Broadband, 1.8-30MHz. Can be used with any type antennas - verticals, dipoles, beams.

Write for details or see your dealer.

**ELECTROSPACE SYSTEMS, INC.**

P.O. BOX 1359, RICHARDSON, TEXAS 75080, (214) 231-9303

# ICOM



**IC-22S**  
146 MHz FM 10 W  
TRANSCIVER



**IC-245**  
146 MHz FM 10 W  
TRANSCIVER

IMMEDIATE DELIVERY  
SHIPPING PREPAID IN USA

## MASTERS COMMUNICATIONS

7025 N. 57th DR.  
GLENDALE, AZ 85301

PHONE

602-939-8356



# NOW FROM Wilson:

## AMATEUR: ANTENNAS • ROTORS • TOWERS

### 3 CRANK-UP TOWER MODELS AVAILABLE

#### TT-45 FREESTANDING CRANK-UP TOWER, 45 Ft.

The TT-45 will support 9 sq. ft. at a height of 39 ft. freestanding when properly bracketed to a house or wall at the 8 ft. level. The loads decrease as the tower extension Mast is lengthened. (Loads are based at 50 mph and load permitted on the tower decreases with increases in wind speed over 50 mph). The tower can be completely freestanding with our new concrete or tower rotating bases, which allow the use of our raising fixture. Using these accessories, the towers can be installed by one man easily.

List . . . \$329.00

#### FOR THE TOWERING SIGNAL - WILSON'S SST-64 GUYED CRANK-UP TOWER, 64 Ft.

All steel tubing is galvanized plated and conforms to ASTM specifications for years of maintenance free service. The SST-64 is made of 4 sections, being 4.5", 3.5", 2.5" and 2". These large diameters give unexcelled strength and virtually makes the thin push-up poles a thing of the past. The large loads of today's antennas make the Wilson SST-64 the best value on the market today.

List . . . \$397.00

#### THE WILSON GT-46 GUYED CRANK-UP TOWER, 46 Ft.

The GT-46 features quality construction and materials, with the stability of the Guyed System.

#### FEATURES OF THE GT-46:

- Low cost • High capacity • all steel. Conforms to ASTM (American Standard of Testing Materials)
- Fully galvanized • 800 lb. winch standard • Guy kits available for factory recommended installations
- 2000 lb. raising cable standard (Aircraft Quality) • Can be roof mounted for extra height
- Great looking, slim flag pole design, for the ecology minded.

List . . . \$235.00

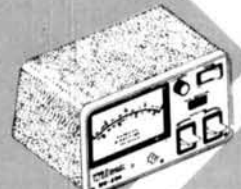


### AMATEUR ANTENNAS

The Wilson 204 is the best and most economical antenna of its type on the market. Four elements on a 26' boom plus a Gamma Match (no balun required) make for high performance on CW & phone across the entire 20 meter band. The 204 Monoband is built rugged at the high stress points. Using taper swaged slotted tubing permits larger diameter tubing where it counts, for maximum strength with minimum wind loading.

The DB33 is the newest addition to the Wilson line of antennas. Designed for the amateur who wants a lightweight economical antenna package, the DB33 complements the M204 for an excellent DXers combination.

- All Wilson Monoband and Duoband beams have the following common features:
- Taper Swaged Tubing
  - Full Compression Clamps
  - No Holes Drilled in Elements
  - 2" or 3" Aluminum Booms
  - Adjustable 52 Ω Gamma Match
  - Quality Aluminum
  - Handle 4kw
  - Heavy Extruded Element to Boom Mounts

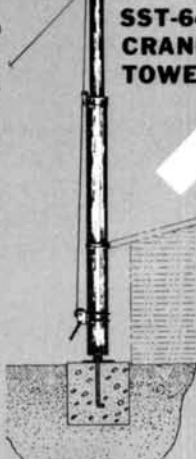


ROTOR CONTROL BOX

### WR 1000 ROTOR

The Rotor everyone has been waiting years for — capable of the largest arrays up to 25 sq. ft. — Superior to prop pitches — Full 4,000 inch lbs. of turning torque. Braking system requires 12,000 inch lbs. before over-riding — accepts 2" - 3" masts — Weighs 60 lbs. — Size: 11" diameter, 19" high.

The Finest Rotor in the Market Today  
WR 1000 . . . . . \$429.00 List



SST-64 CRANK-UP TOWER



WR 500 ROTOR

### WR 500 ROTOR

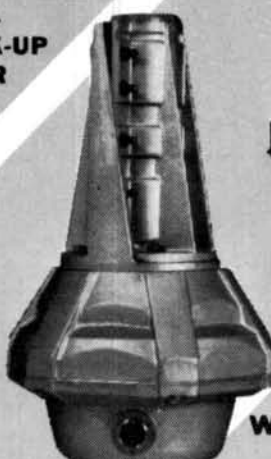
The Wilson WR500 Rotor has 780 inch lbs. of turning torque before stalling.

In addition, a Special Braking System requires 1300 inch lbs. of torque before windmilling— This is more than twice the braking ability of the other comparable rotor being marketed.

Full 98 Steel Ball Bearing raceway assures elimination of side torque jamming when Rotor is mounted in line with the mast.

Recommended for antennas of 7.5 sq. ft. or less . . . weighs 20 lbs.

The  
WR500 Rotor . . \$129.95 List



WR 1000 ROTOR

#### WILSON AMATEUR ANTENNA SPECIFICATIONS

Model No.	Frequency	Forward Gain (dB)	Front-to-Back Ratio (dB)	Front-to-Side Ratio (dB)	Boom Length (ft.)	Number Elements	Longest Elements (ft.)	Turning Radius (ft.)	Surface Area (sq. ft.)	Wind Loading at 80 MPH (lbs.)	Assembled Weight (lbs.)	Shipping Weight (lbs.)	Price
M340	40	8.5	20	30	40	3	70'0"	39'0"	15	300	180	220	\$749.00
M620	20	13.0	28	35	58	6	36'0"	32'0"	10.5	210	98	123	420.00
M520	20	12.0	26	30	40	5	36'4"	27'0"	8.75	175	74	96	299.00
M204	20	10.0	25	30	28	4	36'4"	22'6"	8.8	136	42	48	169.00
M203	20	8.5	20	30	19	3	36'0"	20'5"	5.25	105	35	40	128.00
M155	15	12.0	26	30	26	5	24'3"	18'0"	5.0	100	41	44	159.00
M154	15	10.0	25	30	19	4	24'3"	15'9"	4.0	80	30	33	108.00
M153	15	8.5	20	30	17	3	24'3"	14'0"	3.0	60	21	24	89.00
M108	10	13.5	26	30	40	8	18'0"	22'0"	5.5	110	49	77	219.00
M106	10	13.0	26	30	31	6	19'0"	16'1"	4.0	80	34	36	119.00
M105	10	12.0	26	30	26	5	18'0"	15'8"	3.0	60	29	32	109.00
M103	10	8.5	20	30	11 1/2	3	18'0"	10'0"	2.0	40	10	12	39.00
DB54	20	12.0	26	30	40	6	36'4"	27'0"	12.75	255	94	119	349.00
DB43	15	10.0	25	30	4	4	24'3"	15'8"	6.0	120	38	43	149.00
DB33	15	8.5	20	30	17	3	24'3"	12'2"	4.5	90	30	33	109.00
	10	8.5	20	30		3	18'0"						

## AVAILABLE THRU YOUR LOCAL DEALER

FOR THE NAME OF YOUR NEAREST AMATEUR DEALER



OR FOR A FREE CATALOG OF THE ABOVE PRODUCTS, CONTACT:

# Wilson Electronics Corp.

4288 SO. POLARIS AVENUE • LAS VEGAS, NEVADA 89103 • (702) 739-1931 • TELEX 684-522

Prices Effective March 31, 1977

# BULLET ELECTRONICS

P. O. BOX 19442  
DALLAS, TEXAS 75219  
(214) 823-3240

- NO COD's
- SEND CHECK OR M.O.
- BAC or MC PHONE ORDERS
- ADD 5% SHIPPING

- FOREIGN ORDERS ADD 10% (20% for Airmail)
- TX. Residents add 5% Sales Tax
- ORDERS UNDER \$10. Add 60c

## AUDIBLE CONTINUITY TESTER KIT

Measures continuity and resistance to 2K. Test LED's, diodes & transistors. Less Speaker. Requires 6 to 12 volts, (batteries not included). **\$1.95**

## WARBLE ALARM KIT

Emits a piercing dual tone blast that is impossible to ignore. Great with our Sender Receiver Kit. All components and quality PC Board included. Speaker and power switch not included. (3-15V) **\$2.50 (kit)**

## PS-12 POWER SUPPLY KIT

*We Guarantee your Satisfaction!*  
Not only is the PS-12 able to supply a continuous 10 AMPS (15 AMPS intermittent) of low ripple, regulated DC voltage, but it is also variable from 3 to 30 volts! Use it as a building block for a fantastic bench supply. *We leave the chassis work up to you!*

### FEATURES:

Output adjustable from 3 to 30 Volts DC  
Adjust. Current limiting to 15 amps.  
Special Pre-regulator circuit eliminates need for massive heat sinks.  
Better than 1% Load & Line Regulation from 0 to 15 amps  
Low Ripple output  
Heavy duty 10 lb. Transformer

### KIT INCLUDES:

Transformer  
Heatsink (drilled)  
Semiconductors (diodes, transistors, etc.)  
All Components (resistors, caps)  
Transistor mounting hardware & insulators  
Drilled & plated PC Board  
Wire

**\$49.95**  
add **\$3.70** for postage

## MINI GRANDFATHER CLOCK KIT

The most fascinating kit we have ever offered features: \*Large LED Simulated swinging pendulum matches tick-tock sound\* Electronic tone chimes the hour (ie: 3 times for 3 o'clock)\* Quality components & 2 PC boards measuring 4.5" x 6.5"\* All CMOS IC construction\* Transformer provided, no case included\* Large 1/2" LED readouts. **\$44.00 Postpaid**

## BULLET SUPER STAR PS-01A **\$14.95**

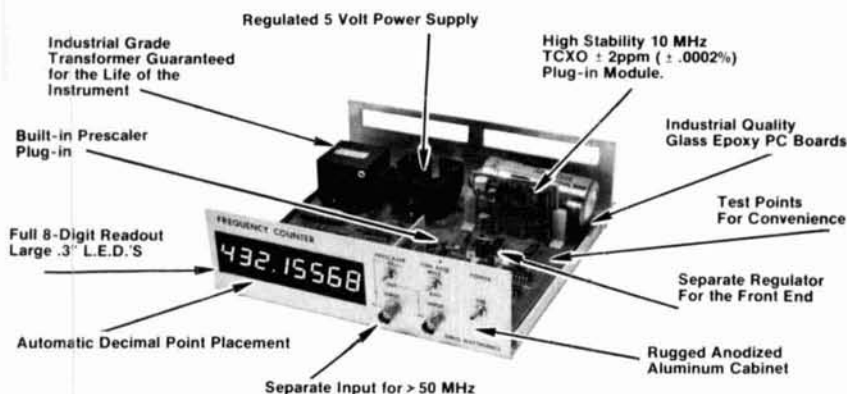
A compact, well regulated triple output power supply. Gives +5VDC @ 1.5A and +15 @ 150ma and -15 @ 150ma. Complete with PC Board, components, heatsinks & quality transformer. PS-01B same as above but with +/- 12 output instead of +/- 15; Please specify model number when ordering.

## ULTRASONIC SENDER-RECEIVER KIT **19.95**

A complete transmitter/receiver kit that will flood an average sized room with 23KHZ sound and detect any movement in the area. The output is a DC level that can be used to trigger a relay, bell or alarm. Uses 2 quality transducers. All components & PC Board included. (Requires 9-15 VDC @ 60ma [not supplied]).

**AUTOMATIC TIME OUT CIRCUIT** for ultrasonic or mechanical switch alarms. Provides a five second entry delay, sounds alarm for one minute, then re-arms itself. Requires 6-15 VDC. **\$3.95**

## (the outside looks nice) BUT IT'S WHAT'S INSIDE THAT COUNTS



### DAVIS FREQUENCY COUNTER

- 500 MHz • ±.0002% ACCURACY
- UNBEATABLE LOW COST

500 MHz Kit ..... **\$249.95**

Kits include all parts, drilled and plated PC boards, cabinet, switches; hardware and a complete instruction manual with calibrating instructions.

All parts are guaranteed for 90 days. Factory service available for \$25.

500 MHz Factory Assembled ..... **\$349.95**

Shipping Charges ..... **\$2.00**  
Instruction and Calibrating Manual ..... **\$3.00** (refundable with purchase)

Factory assembled units are tested and calibrated to specifications, and are guaranteed for 1 year.

### DAVIS ELECTRONICS

Dept. F, 636 Sheridan Drive, Tonawanda, New York 14150

(716) 874-5848



## GEM-QUAD FIBRE-GLASS ANTENNA FOR 10, 15, and 20 METERS

Two Elements **\$129.00**  
Extra Elements **\$90.00**

Price is F.O.B. Transcona

**INCLUDES U.S. Customs Duty**

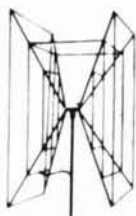
**KIT COMPLETE WITH \*SPIDER**

**\*ARMS**

**\*WIRE**

**\*BALUN KIT**

**\*BOOM WHERE NEEDED**



WINNER OF MANITOBA DESIGN INSTITUTE AWARD OF EXCELLENCE

Buy two elements now - a third and fourth may be added later with little effort.

Enjoy up to 8 db forward gain on DX, with a 25 db back to front ratio and excellent side discrimination.

Get maximum structural strength with low weight, using our "Tridetic" arms.

## GEM QUAD PRODUCTS

Box 53

Transcona, Manitoba

Canada R2C 2Z5

Tel: (204) 866-3338

# New from Info-Tech: An AFFORDABLE, SILENT, RTTY System



## New Model 150 RTTY Keyboard

### Features:

- 4 speeds (60,66,75,100 wpm)
- Built-in AFSK with 3 shifts (170, 425, 850 hz)
- Automatic CR & LF at end of 64 or 72 character line
- Built-in low shift CW ID provision

Priced at ..... **\$289.50**  
F.O.B. St. Louis



## New Model 75 RTTY to Video Converter

### Features:

- 4 speeds (60, 66, 75, 100 wpm)
- Built-in T.U. with 3 shifts (170, 425, 850 hz)
- 32 character x 16 line video output with scrolling
- Connects directly to receiver audio & video monitor

Priced at ..... **\$324.95**  
F.O.B. St. Louis

- Send for data sheets on these products
- Video monitors available
- Master Charge welcome

# INFO-TECH

## INCORPORATED

*Specializing in Digital Electronic Systems*

20 Worthington Drive, St. Louis, Missouri 63043 Phone: 314-576-5489



# INTERNATIONAL COMMUNICATIONS SYSTEMS, INC.

1827 S. Dixie Highway  
Pompano Beach, Fla. 33060 (305) 943-5950

NEW! Made in USA NEW!

## WE BUILT ONE FOR YOU!

- Send and Receive : 800 Channels
- Variable RF Gain : 1 - 25 Watts
- Variable intensity : LED and Meter readout
- Unsurpassed superb quality construction
- We set the standard - Others try to copy

### TRANSMITTER SPECIFICATIONS

Frequency Range: 144 to 148 MHz. Front Panel Frequency Splits: Simplex, +0.6MHz, -0.6MHz, +1MHz, -1MHz. Frequencies: 800 (5KHz separation). Modulation: 16F3  $\pm$  5KHz for 100% at 1,000Hz. RF Power Output: 1-25 Watts, variable. Frequency Stability: Within  $\pm$ 0.001% from -20 C. to +60 C. Hum & Noise: Better than -30dB 2/3 rated system deviation at 1,000Hz. Antenna Impedance: 50 Ohms. Switching: Solid-state type. Spurious & Harmonic: At least 60dB below rated carrier power. Microphone: Tumor, low impedance. Audio Frequency Response: 300Hz to 3,000Hz, referred to +1, -8dB of 6dB/Octave de-emphasis curve. Audio Distortion: Less than 7% at 1,000Hz, 2/3 system deviation. Frequency Display: 6 digit, 7 segment HP LED. Optional Accessory: Plug in touch-tone encoder. Face plate also available in black.

### RECEIVER SPECIFICATIONS

Frequencies: 143 to 148.995MHz. Usable Sensitivity (12dB sinad): 0.35uV @ 50% audio. Quieting Sensitivity (20dB): 0.5uV minimum. Squelch Threshold Sensitivity: 0.25uV minimum. Squelch Limit Sensitivity: 2.0uV or less. Modulation Acceptance Bandwidth:  $\pm$ 7.5KHz minimum. Adjacent Channel Selectivity: 70dB minimum. Spurious Response Attenuation: 70dB minimum. Intermodulation Attenuation: 60dB minimum. Local Oscillator Frequency Stability:  $\pm$ 10 parts per million. Audio Output Power: 4.0 Watts into a 4 Ohm load @ less than 10% distortion. Audio Frequency Response: +2dB to -8dB from the standard 6dB per Octave de-emphasis from 300Hz to 3,000Hz. Hum & Noise: -50dB squelched and -30dB unsquelched. Chassis Size: 7 1/8 "W x 2 5/8 "H x 10".



FORT LAUDERDALE

Manufacturers of the Finest in Digital Communication Equipment

## S-225 TWO METER SYNTHESIZED VHF-FM TRANSCEIVER



Introductory Package Price

**\$499.<sup>95</sup>**

(Regular Price \$549.90) Price subject to change without notice

### The AMCOMM Connection.

An optional plug in touch-tone pad (\$49.95) truly expands the capability of the S 2 25 in areas where auto-patch facilities are available. The auto-patch feature enables your S 2 25 to hook into the telephone system, allowing calls to any telephone in the local calling area, providing you are a member of a local repeater association which has auto-patch facilities.



Order By Mail or Call  
(305) 943-5950

ATLAS/DENTRON/DOVETRON/DRAKE/GENAVE/HY-GAIN/ICOM/JIL/KDK/KLM/MIDLAND/NPC/ROCKWELL COLLINS/STANDARD/SWAN/TEMPO/TEN-TEC BRIMSTONE/TRIO KENWOOD/YAESU/CORNELL/CPD/CUSHCRAFT/HUSTLER/LARSEN  
also- CB, MARINE AND AVIATION COMMUNICATIONS EQUIPMENT

CHARGE IT ON:



## This is easy- anyone can solder- WITH KESTER SOLDER

KESTER SOLDER



## Handymen! Hobbyists! DO-IT-YOURSELFERS!

Let Kester Solder aid you in your home repairs or hobbies. For that household item that needs repairing — a radio, TV, model train, jewelry, appliances, minor electrical repairs, plumbing, etc. — Save money — repair it yourself. Soldering with Kester is a simple, inexpensive way to permanently join two metals.

When you Solder go "First Class" — use Kester Solder.

For valuable soldering information send self-addressed stamped envelope to Kester for a FREE Copy of "Soldering Simplified".



KESTER SOLDER

Litton 4201 WRIGHTWOOD AVENUE/CHICAGO, ILLINOIS 60639

## IF WE WERE YOU



the indispensable BIRD 43 THRU-LINE® WATTMETER I'D BUY FROM US

YOUR INQUIRY OR ORDER WILL GET OUR PROMPT ATTENTION

AUTHORIZED

**BIRD** DISTRIBUTOR

WEBSTER COMMUNICATIONS

115 BELLARMINE

ROCHESTER, MI 48063

313-375-0420

\*T.M. of BIRD ELECTRONIC CORP.



# FLASH: 1977 GREAT LAKES AREA HAMFEST

and  
Michigan State ARRL Convention  
AT  
Muskegon Community College  
ON  
**MARCH 26, 1977**

Come early — Wouf Hong initiation. Hospitality Room. Registration begins 8:00 A.M. Saturday.  
**MANUFACTURERS EXHIBITS**  
Technical Forums — Net Meetings — ARRL Forum — SWAP & SHOP — SPECIAL ATTRACTIONS.

Call WB8PKU Convention Coordinator

616-924-0040

or write:

**MUSKEGON**  
Area Amateur  
Radio Council  
P. O. BOX 691  
MUSKEGON, MICHIGAN  
49443



# Which hog has the ham?

At first glance, both these cars look like they have standard factory antennas. Even at second glance.

But the one on the left has a ham rig inside. You can't tell because on the outside it has an ASPR 748 gain disguise antenna. So the rip-off artists just pass it by.

A/S has an entire line of high-efficiency disguise antennas for GM, Chrysler and Ford automobiles. The HM85 Cowl Mount Whip System, for instance, will mount on an auto cowl, fender or deck in a single 7/8" to 15/16" hole.

For years law enforcement agencies have used A/S disguise antennas to keep their cover. They'll help you keep yours, too. We'll bet our A/S on it.



**the antenna specialists co.**

12435 Euclid Avenue, Cleveland, Ohio 44106 • a member of The Allen Group, Inc.



## Radio Amateurs Reference Library of Maps and Atlas

**WORLD PREFIX MAP** — Full color, 40" x 28", shows prefixes on each country . . . DX zones, time zones, cities, cross referenced tables

**\$1.25**

**RADIO AMATEURS GREAT CIRCLE CHART OF THE WORLD** — from the center of the United States! Full color, 30" x 25", listing Great Circle bearings in degrees for six major U.S. cities; Boston, Washington, D.C., Miami, Seattle, San Francisco & Los Angeles.

**\$1.25**

**RADIO AMATEURS MAP OF NORTH AMERICA!** Full color, 30" x 25" — includes Central America and the Caribbean to the equator, showing call areas, zone boundaries, prefixes and time zones, FCC frequency chart, plus useful information on each of the 50 United States and other Countries

**\$1.25**

**WORLD ATLAS** — Only atlas compiled for radio amateurs. Packed with world-wide information — includes 11 maps, in 4 colors with zone boundaries and country prefixes on each map. Also includes a polar projection map of the world plus a map of the Antarctica — a complete set of maps of the world. 20 pages. Size 8 3/4" x 12"

**\$2.50**

Complete reference library of maps — set of 4 as listed above

**\$3.75**

See your favorite dealer or order direct.

Mail orders please include \$1.25 per order for shipping and handling.

RADIO AMATEUR  
**callbook INC.**

Dept. E 925 Sherwood Drive  
Lake Bluff, Ill. 60044

**WRITE FOR  
FREE  
BROCHURE!**



## TS-1 MICROMINIATURE ENCODER-DECODER

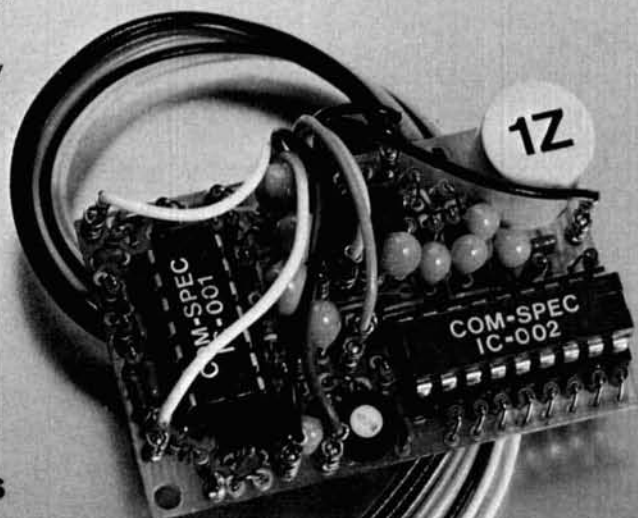
- Available in all EIA standard tones 67.0Hz-203.5Hz
- Microminiature in size, 1.25x2.0x.65" high
- Hi-pass tone rejection filter on board
- Powered by 6-16vdc, unregulated, at 3-9ma.
- Decode sensitivity better than 10mvRMS, bandwidth,  $\pm 2$ Hz max., limited
- Low distortion adjustable sinewave output
- Frequency accuracy,  $\pm 25$ Hz, frequency stability  $\pm 1$ Hz
- Encodes continuously and simultaneously during decode, independent of mike hang-up
- Totally immune to RF

Wired and tested, complete with K-1 element

**\$59.95**

K-1 field replaceable, plug-in, frequency determining elements

**\$3.00 each**



### COMMUNICATIONS SPECIALISTS

P.O. BOX 153  
BREA, CALIFORNIA 92621  
(714) 998-3021



## STEP UP TO TELREX

### Professionally Engineered Antenna Systems

Single transmission line "TRI-BAND" ARRAY

MONARCH  
TB5EM/4KWP

ILLUSTRATION BALUN



ILLUSTRATION TRAP

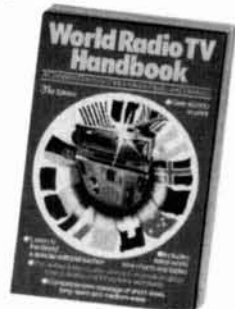


By the only test that means anything . . . on the air comparison . . . this array continues to outperform all competition . . . and has for two decades. Here's why . . . Telrex uses a unique trap design employing 20 HiQ 7500V ceramic condensers per antenna. Telrex uses 3 optimum-spaced, optimum-tuned reflectors to provide maximum gain and true F/B Tri-band performance.

For technical data and prices on complete Telrex line, write for Catalog PL 7

COMMUNICATION SYSTEMS SINCE 1921 **telrex** Laboratories  
ASBURY PARK, NEW JERSEY 07712 U.S.A.

## Out of Band



### Shortwave Listening

Our only business is supplying everything needed to tune outside the Amateur Radio bands and identify what you hear. Our mini-catalog details Barlow Wadley, Drake and Yaesu receivers, WORLD RADIO TV HANDBOOK, logs, antennas, calibrators, CONFIDENTIAL FREQUENCY LIST, receiving antenna tuners, FM or TV station guides, AM pattern maps, audio filters, special ITU lists, QSL albums and every book published on "listening."

**GILFER ASSOCIATES, INC**

P.O. Box 239, Park Ridge, NJ 07656

# HERE'S A HOT NUMBER

# 800-325-3636

(Toll Free)

CALL  
**HAM RADIO CENTER**  
 ST. LOUIS

FOR NEW AND USED AMATEUR RADIO EQUIPMENT  
 MASTER-CHARGE BANKAMERICARD  
 TRADE ON NEW OR USED

Hours 9 A.M. - 5 P.M. (Central)

Closed Sun. & Mon.

## THE HAM-KEY

### NOW 5 MODELS

- Iambic circuit for squeeze keying.
- Self completing dots & dashes
- Dot memory.
- Battery operated with provision for external power.
- Built-in side-tone monitor.
- Speed, Volume, tone & weight controls.
- Grid-block or direct keying.
- Use with external paddle such as HK-1.

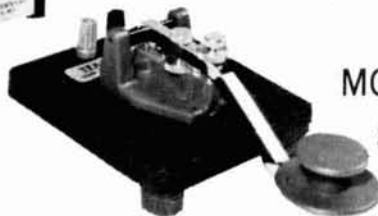


**NEW**  
 MODEL HK-5  
 ELECTRONIC KEYSER  
**\$69.95**



MODEL HK-1  
**\$29.95**

- Dual lever squeeze paddle.
- Use with HK-5 or any electronic keyer.
- Heavy base with non-slip rubber feet.
- Paddles reversible for wide or close finger spacing.



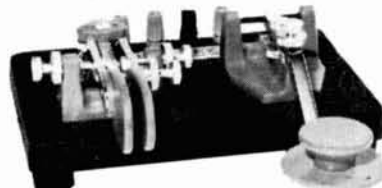
MODEL HK-3  
**\$16.95**

- Deluxe straight key.
- Heavy base, no need to attach to desk.
- Velvet smooth action.



MODEL HK-2  
**\$19.95**

- Same as HK-1, less base for those who wish to incorporate in their own Keyer.



MODEL HK-4  
**\$44.95**

- Combination HK-1 & HK-3 on same base.

Available from your local dealer or order direct.

**HAM RADIO CENTER, INC.**

8340-42 OLIVE BLVD. • P. O. BOX 28271 • ST. LOUIS, MO. 63132

State  
of the art



by  
**K.V.G.**

### CRYSTAL FILTERS and DISCRIMINATORS

#### 9.0 MHz FILTERS

XF9-A	2.5 kHz	SSB TX	\$33.55
XF9-B	2.4 kHz	SSB RX/TX	\$47.75
XF9-C	3.75 kHz	AM	\$51.40
XF9-D	5.0 kHz	AM	\$51.40
XF9-E	12.0 kHz	NBFM	\$51.40
XF9-M	0.5 kHz	CW (4 pole)	\$35.95
XF9-NB	0.5 kHz	CW (8 pole)	\$67.15

Export  
Inquiries  
Invited

#### 9.0 MHz CRYSTALS (Hc25/u)

XF900	9000.0 kHz	Carrier	\$4.00
XF901	8998.5 kHz	USB	\$4.00
XF902	9001.5 kHz	LSB	\$4.00
XF903	8999.0 kHz	BFO	\$4.00
F-05	Hc25/u	Socket	.50

Shipping  
\$1.25  
per filter

#### 9.0 MHz DISCRIMINATORS

XD9-01	± 5 kHz	RTTY	\$25.30
XD9-02	± 10 kHz	NBFM	\$25.30
XD9-03	± 12 kHz	NBFM	\$25.30

### 144 MHz SSB TRANSVERTER, MMt144

Use your HF Transceiver on the 144 MHz band with the addition of the MMt144 linear Transverter. The MMt144 operates on all modes; SSB, CW, AM, FM. It contains BOTH the linear transmit up-converter and the receive down-converter. An internal PIN diode T/R connects to your Transceiver T/R line. The MMt144 is FT101 and similar rig compatible. Add the J-Beam 8XY/2M crossed Yagi's and operate horizontal, vertical or circular polarization into the OSCAR satellite. (8XY/2M \$39.95) Write for application note.

#### Specifications:

Output Power	10 W PEP
Drive, 10 meters	1/2 W max
Receiver N.F.	3.0dB max
Receiver gain	30 dB typ
Bandwidth	4 MHz
Prime Power	12 V D.C.

Price: \$214.95  
Shipping: \$3.50



#### Also Available

- 432 MHz SSB TRANSVERTER, MMt432
- 440 MHz FM TRANSVERTER, FMt440

### 50 MHz FREQUENCY METER MMd 050 500 MHz DECADE PRE-SCALER MMd 500P



MMd 050



MMd 500P

Measure frequencies to 50 MHz  
6 digit digital display  
High sensitivity 50 mV RMS  
Internal crystal reference  
Price: \$164.95

Power 12 V D.C. Size 4 1/2" x 2 1/2" x 1 1/4"  
Send for data sheet. Shipping \$2.50 each

Extend your freq. meter to 500 MHz  
Sensitivity 200 mV RMS  
Input impedance 50  
Output TTL compatible  
Price: \$78.70

Send 26¢ (2 stamps) for full line catalogue of KVG crystal products and all your VHF & UHF equipment requirements.

Pre-Selector Filters	Pre-Amplifiers	SSB Transverters
Varactor Triplers	Crystal Filters	FM Transverters
Decade Pre-Scalers	Frequency Meters	VHF Converters
Antennas	Oscillator Crystals	

**si**

Spectrum  
International, Inc.  
Post Office Box 1084  
Concord, Mass. 01742, USA

## SPECIAL INTRODUCTORY OFFER

..... at a price YOU can afford!

## SCOTT COMMUNICATIONS SYSTEMS



**TOUCH TONE ENCODER** (Shown) Complete ..... \$52.95

**RF ACTUATED CW MONITOR** -  
for the best in CW operating ..... \$24.95

**CRYSTAL CALIBRATOR** - 100, 50, 25 kHz ..... \$19.95  
range extended to 10, 5, 1 kHz ..... \$24.95

#### RTTY OPERATORS

Digital Date-Time-Message Generator, UARTS.  
Quick Brown Fox Generator, many others.

#### MICROPROCESSOR BUFFS

CPU, Backplane, I/O Memory, Timing,  
many others - boards, kits and assemblies.

#### VHF-FM TRANSCEIVER

TT Pad Programmable, PROM selected Channels.  
Hi/Lo Power, PLL-5 kHz resolution.

Above available early '77, write for details.

Send 13¢ Stamp for latest catalog.

### SCOTT COMMUNICATIONS SYSTEMS

Box 2117, Dept. H, Stamford, Ct. 06906 or  
Call (203) 357-1667

## DON & BOB'S SUPER BUYS

**WIRE, ETC:** Premax heavy-duty 4 ft. ground rod + clamp \$4.00  
Consolidated antenna wire: #14 stranded \$5.00/100 ft. #12  
stranded \$8.00/100 ft. #22 GA phosbronze longwire antenna  
wire \$2.50/1000 ft.

#### \$100-100 FT. SPECIALS

KLM KR400 Rotor + 100 ft. rotor cable \$100.00  
CDE Big Talk + 100 ft. rotor cable \$100.00

**CABLE** 5/32", 6-strand, soft-drawn guy cable. For mast or  
light tower, 3¢ foot.

**RAYTHEON 811A** \$16.00/pr. 572B/T160L ea. \$21.95  
(In sealed cartons)

**BELDEN COAX** RG8U 8237 19¢ ft. 8214 RG8 foam 23¢ ft.  
9888 double shield 8214 foam (suitable for direct burying)  
35¢ ft. 8214 white jacket 29¢ ft. 8210 72 ohm kw twinlead  
\$19.00/C. Amphenol PL259 59¢ UG175 19¢.

**CDE Ham-2** \$129.00. CD44 \$104.00. AR-22XL \$50.00. Belden  
8 wire rotor cable 14¢ ft.

**EXTRAS** 5 ea. 1/4" shaft knobs for panel. Very nice \$1.00/5.  
Rubber feet 30¢/5. Buss AGC3 fuse 5¢. CDE .001/10KV door-  
knob cap \$1.95. Mallory 2.5A/1000PIV epoxy diode 19¢ ea.

**CALL US FOR QUOTES ON: ATLAS 350XL,  
ETO, KENWOOD TS520, TS700A, TR7400A,  
FT101E. ALL IN SEALED CARTONS.**

**CALL US FOR QUOTES & ITEMS NOT LISTED**

## MADISON ELECTRONICS SUPPLY, INC.

1508 McKINNEY  
713/658-0268

HOUSTON, TEXAS 77002  
Nites 713/497-5683

**TERMS:** All prices FOB Houston. Quotes Good 30 Days. All  
Items Guaranteed. Some items subject to prior sale. Send  
letterhead for Amateur dealers price list.





# flea market



**RATES** Non-commercial ads 10¢ per word; commercial ads 40¢ per word both payable in advance. No cash discounts or agency commissions allowed.

**HAMFESTS** Sponsored by non-profit organizations receive one free Flea Market ad (subject to our editing). Repeat insertions of hamfest ads pay the non-commercial rate.

**COPY** No special layout or arrangements available. Material should be typewritten or clearly printed (not all capitals) and must include full name and address. We reserve the right to reject unsuitable copy. **Ham Radio** cannot check each advertiser and thus cannot be held responsible for claims made. Liability for correctness of material limited to corrected ad in next available issue

**DEADLINE** 15th of second preceding month.

**SEND MATERIAL TO:** Flea Market, Ham Radio, Greenville, N.H. 03048.

**HAM RADIO HORIZONS**, a super new magazine for the Beginner, the Novice and anyone interested in Amateur Radio... What it's all about. How to get started. The fun of ham radio. It's all here and just \$10.00 per year. **HURRY! HURRY!** Ham Radio HORIZONS, Greenville, NH 03048.

**REGENCY HR-2MS** Sn: 11-01554, stolen in Topeka, Kansas from: C. E. Widstene 303-687-3142, Box 937, Woodland Park, Colo. 80863.

**CANADIANS** 1,000,000 surplus parts. Bargains galore. Free catalog. Etco-HR. Box 741, Montreal, H3C 2V2.

**SURPRISES GALORE!** Projects, ham radio, music synthesizers, etc. IC's, pots, hardware, crystals, keyboards, resistors, etc. Send 13¢ stamp for catalogue. UTEP, Box 26231A, Salt Lake City, UT 84215.

**PORTA-PAK** the accessory that makes your mobile really portable. \$67.50 and \$88.00. Dealer inquires invited. P.O. Box 67, Somers, Wisc. 53171.

**TELETYPE EQUIPMENT** for beginners and experienced operators. RTTY machines, parts, supplies. Beginner's special: Model 15 Printer and demodulator \$139.00. Dozen black ribbons \$6.50; case 40 rolls 11/16 perf. tape \$17.50 FOB. Atlantic Surplus Sales, 3730 Nautilus Ave., Brooklyn, N. Y. 11224. Tel: (212)372-0349.

**FOR SALE:** Attention ATV'ers — Video Tape Recorders For Sale. Time lapse and real time machines. All in working condition. Send S.A.S.E. for prices, models, etc. to Dictograph Security Systems, 26 Columbia Turnpike, Florham Park, N.J. 07932. Attn: Room 113/Dave Griffiths.

**VERY** in-ter-est-ing! Next 4 big issues \$1. "The Ham Trader," Sycamore, IL 60178.

**SB-104**, noise blanker, CW filter. Factory mod. Mint. First \$675. Call 608-783-5985. K9YYK.

**EXCLUSIVELY HAM TELETYPE** 23rd year, RTTY Journal, articles, news, DX, VHF, classified ads. Sample 35¢. \$3.50 per year. Box 837, Royal Oak, Michigan 48068.

**SYNTHESIZER.** See Ham Radio, July 76, pg. 20-23, figures 21 to 24. Kit for \$115, assembled and tested, \$140. Power supply to run from 117 volts additional \$15.00. CTD, P. O. Box 708, Cambridge, MA 02139.

**SIGNAL-ONE CX7B** CW filter wanted, either standard or deluxe. K. Lesh, K3RYL, 2750 Belaire Rd, Bethlehem, Pa. 18017. Ph: 215-691-0669.

**QSL'S — BROWNIE W3CJ1** — 3035B Lehigh. Allentown, Pa. 18103. Samples with cut catalog 50¢.

**VARIABLE AND TRIMMER CAPACITORS** — Millen, Johnson, Hammarlund, Erie, Arco. In stock for immediate shipment. Send first class stamp for expanded price list. D & V Radio Parts, 12605 W. Sarle Rd., #2, Freeland, Michigan 48623.

**WANTED** dead or alive Hallicrafters receivers built before 1940 S1 through S-20. WA5YXA, 902 Creekdale Drive, Richardson, Texas 75080.

**SAVE!** Bomar FM, xtals \$4.00 ppd. Dentron, Hustler, CushCraft, W. M. Nye, Ameco. Used gear. Complete catalog - write Ferris Radio, 308 E. Harry, Hazel Park, Mich. 48030.

**NEW** 4-Varactor, 3-transistor UHF TV tuner. Tunes thru 440 MHz for ATV or repeater applications. \$7.95 ppd. Workshop, Box 393H, Bethpage, NY 11714.

**CRYSTALS** — S.A.S.E. my list. K8LJQ, 355 Mower Rd., Pinckney, Mich. 48169.

**ATTENTION:** Announcing a new Ham Radio dealer in New Orleans. Digital Electronics Inc., 1201 Annunciation St., is an authorized representative for many major manufacturers of ham radio equipment and accessories. Large inventory! Competitive pricing! Write for quotes or call collect (504) 568-9879. BankAmericard or MasterCard accepted. Digital Electronics Inc., PO Box 30566, New Orleans, LA 70190.

**RECONDITIONED TEST EQUIPMENT** for sale. Catalog \$5.00. Walter, 2697 Nickel, San Pablo, Ca. 94806.

**BUY — SELL — TRADE.** Write for free mailer. Give name address and call letters. Complete stock of major brands new and reconditioned equipment. Call for best deals. We buy Collins, Drake, Swan, Etc. SSB & FM. Associated Radio, 8012 Conser, Overland Park, Kansas 66204. 913-381-5901.

**4-400A's NEW, BOXED, \$22.** Perfect for 2kw linear. Barnes, 2110 Apache Ridge Rd., Meridian, MS 39301.

**NEW ADJUSTABLE THREE OUTPUT REGULATED POWER SUPPLY**, plus 900 parts worth \$400.00 list. Solid state television recorder electronic unit. Schematics, parts cross reference. Free brochure. \$17.95 plus \$3.50 S & H, USA. MasterCard BankAmericard. Satisfaction guaranteed. Madison Electronics Company, Incorporated, Box 369, D77, Madison, Alabama 35758.

**TRAVEL-PAK QSL KIT** — Send call and 25¢; receive your call sample kit in return. Samco, Box 203, Wyantskill, N. Y. 12198.

**TRANSMITTING TUBES**, HV and filament xfms, rotary inductors, transmitting capacitors. Send stamp for flyer. T.S. Marinich Electronics, 102 Bell St., Weirton, W. Va. 26062.

**MOBILE IGNITION SHIELDING** provides more range with no noise. Available most engines. Many other suppression accessories. Literature, Estes Engineering, 930 Marine Dr., Port Angeles, WA 93862.

**KENWOOD TS-700A**, mint, with modified Gonset 10 dB linear, coax relay switching, spares, etc. - \$600. WIHDA/2, 914-462-0749.

**FREE** Electronics Surplus Catalog. Electronic Specialties, 1659 Wetmore, Tucson, AZ 85705.

**FOR SALE:** Swan 250c, 117xc, 510x, vx-2, noise silencer. Excellent working condition. \$450. Ron Leedy, W8BONG, 236 S. Beverly Ave., Youngstown, Oh. 44515, Tel: 216-799-6268.

**QSL's, CATALOG 30¢.** RTTY paper 4 1/2 inch rolls white, case of 12 \$25.00 plus shipping. P. O. Box 11184, Phoenix, Arizona 85061.

**KEYER** Micro-TO MKII P.C. boards, parts. K3CU (W), 5414 Old Branch, Washington DC 20031.

**MOBILE BONDING STRAPS** under 50¢ each. Literature. Estes Engineering, 930 Marine Drive, Port Angeles, Wash. 98362.

**TECH MANUALS** for Govt. surplus gear - \$6.50 each: SP-600JX, URM-25D, SG-3/U, TS-173/UR, TS-174/U, LM-21, OS-8B/U. Thousands more available. Send 50¢ (coin) for 22-page list. W3IHD, 7218 Roanne Drive, Washington, DC 20021.

**FERRITE BEADS:** w/specification and application sheet - 10/\$1.00. Assorted PC pots - 5/\$1.00. Miniature mica trimmers, 3-40 pf. - 5/\$1.00. Postpaid. Includes latest catalog. Stamp for catalog alone. CPO Surplus, Box 189, Braintree, MA 02184.

**WANTED:** Atlas 210X and Console, state price and condition. Write W0LYF, Rt. 3, Chanute Kansas 66720.

## FREE NEW CATALOG



**NOW'S THE TIME** to request your free new catalog on many, many exciting Amateur products including:

- Data-Tone Keyboards
- Data-Tone Encoders
- Handheld Encoders
- Automatic Data-Tone Dialers
- CW Keyers
- CW Memories
- Auto Patches
- Receiver Preamps
- Single Tone Encoders
- Single Tone Decoders
- Tone to Pulse Converters

**FOR EXAMPLE LOOK AT OUR  
DELUXE C-MOS P.C. KEYS**



Complete C-MOS keyer in kit form, or wired, just right for your custom enclosure. Versatile controls allow wide character weight variations, speeds from 5 to 50 w.p.m. plus volume and tone control. Solid-state output switching saves power, eliminates all those annoying relay problems and is compatible with both grid block and solid-state circuitry. With its side-tone monitor and 90 day warranty the Data Signal PC Keyer is the one for you.

C-MOS Keyer Wired \$24.95; Kit \$19.95



**DATA SIGNAL, INC.**  
2403 COMMERCE WAY  
ALBANY, GA. 31707  
912-883-4703

# 2 METER FM

and HF too . . .

Chicago  
Area  
Hams!

Come in or call for the

## ERICKSON COMMUNICATIONS

Cash or trade deal on:

- Ameco • ASP • Atlas
- Belden • Bird • CDE
- CES • Collins • Cushcraft
- Data Signal • Dentron
- Drake • ETO • HAL
- Hy-Gain • Icom • KLM
- Kenwood • Larsen • MFJ
- Midland • Mosley • NPC
- Newtronics • Nye
- Regency • Shure • Swan
- Standard • TPL • Tempo
- Ten-Tec • Yaesu . . .



Hours: 9:30-9 Mon. & Thurs,  
9:30-5:30 Tues, Wed. & Fri.  
9-3 Sat.



**ERICKSON COMMUNICATIONS**  
5935 N. Milwaukee Ave.  
Chicago, IL 60646  
(312) 631-5181

# flea market

**ETCH IT YOURSELF PRINTED CIRCUIT KIT**, Photo-Positive Method — All the supplies for four P.C. boards, direct from magazine article in less than 2 hours. Only \$19.95 S.A.S.E. for details. Excel Circuits, P. O. Box 891, Troy, Michigan 48099, 313-549-0440.

**MODERN CODE PRACTICE**, 0-22wpm on four 60 min. cassettes, \$10. Royal, P. O. Box 2174, Sandusky, Ohio 44870.

**ROAD & TRACK MAGAZINES**, in binders, 1961-1976, will trade for Ham Radio Equipment. Ron Vanke, W1GUD/8, 2700 Patrick Ave., Columbus, Ohio, 43229, (614) 890-0609.

**SIGNAL/ONE NEWSLETTER** & related information. Sase for details. For sale Johnson 6N2 \$85. Bob, W0YVA/4, POB 6216, Arlington, Va., 22206.

**FIGHT TVI** with the RSO Low Pass Filter. For brochure write: Taylor Communications Manufacturing Company, Box 126, Agincourt, Ontario, Canada. MIS 3B4.

**MOTRAC/GLB** VHF Motrac U43-MHT returned to 2M with GLB synthesizer for complete 2M coverage. Motrac/ \$175 GLB/\$100. Together/\$250 WB8NUJ/K. Burgess, 325 Doty, Ann Arbor, Michigan, 48104.

**RTTY CLOSEOUT** — NS-1A PLL TU while they last. Wired/tested \$24.95. Board \$3.00. All postpaid. SASE for info. Nat Stinnette Electronics, Tavares, FL 32778.

**FREE CATALOG**. Unique components, kits, calculators, digital thermometers, ultrasonics, strobes, ni-cads, LEDs, transistors, IC's. Chaney's Box 27038, Denver, Colo. 80227.

**MOTOROLA HT220, HT200**, and Pageboy service and modifications performed at reasonable rates. WA4FRV, (804) 320-4439 evenings.

**TELETYPES AND ELECTRONICS**, warehouse full-cheap! A-1, 2012 St Johns, Highland Park, IL 60035.

**RUBBER STAMP**, name/call/QTH \$2.50 ppd. (CA residents add tax). LWM Press, Box 22161, San Diego, CA 92122.

**SATELLITE INTERROGATION TRANSMITTER** — Ideal for conversion to commercial VHF service-General Electric 4BT91A1, used to transmit command signals to satellites. Recently rebuilt and has new tubes: (3) 3CX-2500A3 and (1) 3CX1000A7. 123 to 157 MHz. PCM/AM plate modulated or may be used with external exciter. 73x43x40 inches, 3000 lbs. Write or call for details. Stan Wigh, P.O. Box 118, Mustang, Oklahoma 73064. (405) 745-3061.

**TELETYPEWRITER PARTS**, gears, manuals, supplies, tape, toroids. SASE list. Typetronics, Box 8873, Ft. Lauderdale, FL 33310. Buy parts, late machines.

**STOP LOOKING** For a good deal on amateur radio equipment — you've found it here — at your amateur radio headquarters in the heart of the Midwest. We are factory-authorized dealers for Kenwood, Drake, Collins, ICOM, Ten-Tec, Atlas, Tempo, Regency, Swan, Midland, Alpha, Standard, Dentron, Hy-Gain, Mosley, Cushcraft, and CDE, plus accessories. For the best deal around on HF or VHF gear, write or call us today for our low quote and become one of the many happy and satisfied customers of HOOSIER ELECTRONICS, P.O. Box 2001, Terre Haute, Indiana 47802. (812)-238-1456.

**LARSEN ANTENNAS** (our specialty) 2,432 magnetic, trunk-lip 5/8 \$33.00, 5/8 ground plane \$45.00. BankAmericard and Mastercharge accepted. 201-962-4695. Narwid Electronics, 61 Bellot Road, Ringwood, NJ 07456.

**WANTED: WRL Duo Bander 84 SSB** transceiver state price and condx. Gerald L. Lyssy, W5BRZ, 8775 Kimberly Dr., Beaumont, Tex. 77707.

**QRP TRANSMATCH** for HW7, Ten-tec, and others. Send stamp for details to Peter Meacham Associates, 19 Loretta Road, Waltham, Mass. 02154.

**COLLINS KWM-2** round emblem #30254-516F2 P.S.-SPK-plus 30L1 linear-472-3033, NH W1CPI.

**MANUALS** for most ham gear, 1939/70. List \$1.00. Send SASE (or 25¢) for one specific model quote. Hobby Industry, W6JK, Box H864, Council Bluffs, Iowa 51501.

**HELP** need information on Poly Comm B, Can Copy, will pay, Barry Bird, WA4NNJ, 6003 Wonderland La., Mechanicsville, Va. 23111.

**STAINLESS AND GALVANIZED STEEL** antenna guy wire our specialty. Wilcox Electronics, Box 1331, S. L. C. Utah 84110.

## the weekender



### HAM RADIO KITS

VSWR Computer as seen in Jan. 77 HR.  
Partial Kit \$20.00  
Audio Oscillator, HR HORIZONS, Mar. 77.  
Partial Kit \$9.50  
SSB Linearity Meter Kit, HR, June 76 \$19.95  
Transistor Tester Kit, HR, Jul. 76. \$29.95

Now stocking P.C. board supplies, also transformers & cabinets by Hammond.

#### TOROIDS FOR LESS

T200-2	\$1.60	FB43-101	\$1.00 doz.
T80-2	.40	FB43-801	1.50 doz.
T80-3	.40	FB43-2401	1.75 doz.
T68-2	.35	FB43-5111	1.65 doz.
T68-3	.35	FB73-101	1.00 doz.
T68-6	.35	FB73-801	1.50 doz.
T50-2	.30	FT50-72	.35 ea.
T50-6	.30	FT82-61	.40 ea.

#### JACKSON BROS.

10:1 Drive 5857	\$8.75
Dual Ratio 6:1, 36:1 Drive 4511/DRF	\$9.90
6:1 Ball Drive with 4" scale 4489C	\$12.00
Multi Scale Drive, dual ratio 4103	\$14.70

229-203 Roller Inductor	\$39.95
10031 Millen Turns Counter	\$25.50
16250 Millen Dual Variable Capacitor	\$43.25
16520A Millen Single Capacitor	\$24.75

R175A National Platechoke	\$12.75
B & W 800 Plate Choke	\$8.75
B & W FC15A Filament Choke	\$24.50
B & W FC30A Filament Choke	\$29.00
B & W FC25A Filament Choke	\$13.25

#### B & W MINIDUCTORS

COMPLETE STOCK			
3011	\$1.90	3024	\$2.60
3012	\$2.05	3025	\$4.45
3014	\$1.85	3029	\$5.05
3015	\$1.95	3064	\$6.05

We Stock the Hard To Find Parts. Send \$2 with each order for shipping & handling. Send First Class Stamp for Flyer.

**G.R. WHITEHOUSE & CO.**  
10 Newbury Drive, Amherst, N. H. 03031

## FREE CATALOG

Send for our free catalog listing hundreds of bargains on nicads, IC's, transistors, digital thermometers, clocks, ultrasonics, strobe lights, kits, crystals, resistors, capacitors, etc.

**Rechargeable** high rate sealed Nickel Cadmium batteries by Eveready, Type CH500 - Standard AA size penlite batteries, rated 1.25V @ 500 mah

**\$1.00 ea. or 10 for \$9.00**  
**Silicon Solar Cell** — Brand new by Sensor Technology Inc. - 3/8" long x 1/4" wide, output is 1/2V @ 5 ma per cell - Each cell has 6" long flex leads.

**SPECIAL 3 for \$1.00**  
Please add \$1.00 shipping/handling. Colorado res. add 3% tax.

**CHANNEY'S**  
electronics  
P. O. Box 27038 • Denver, Colorado 80227  
303-973-1052



# HOW'S YOUR BIRD??

WATTMETER THAT IS . . . IF YOU HAVE BEEN HAVING DIFFICULTY LOCATING THE WATTMETER JUST RIGHT FOR YOU OR IF YOU CAN'T FIND THE CORRECT ELEMENT FOR YOUR MODEL 43, YOU MAY HAVE BEEN LOOKING IN THE WRONG PLACES. OUR LARGE INVENTORY OF MOST COMMON ELEMENTS LETS YOU GET WHAT YOU WANT WHEN YOU NEED IT. GIVE US A CALL FIRST FOR YOUR BIRD NEEDS.

## MODEL 43 \$110.00



ELEMENT TABLE 1 SUFFIX H ..... \$40.00 ea.  
SUFFIXES A, B, C, D, E ..... \$35.00 ea.  
ALSO AVAILABLE . . . MODEL CC1, CARRY CASE  
FOR MODEL 43 ..... \$22.00  
EC-1, CARRY CASE FOR XTRA ELEMENTS \$14.00  
ABOVE PRICES DO NOT INCLUDE SHIPPING.

PLUG-IN ELEMENTS for use with Model 43 THRULINE Wattmeter. Select one or more elements to suit your frequency and power ranges. When ordering, specify catalog number and THRULINE model number.

Table I  
STANDARD ELEMENTS (CATALOG NUMBERS)

Power Range	Frequency Bands (MHz)					
	2-30	25-60	50-125	100-250	200-500	400-1000
5 watts	—	5A	5B	5C	5D	5E
10 watts	—	10A	10B	10C	10D	10E
25 watts	—	25A	25B	25C	25D	25E
50 watts	50H	50A	50B	50C	50D	50E
100 watts	100H	100A	100B	100C	100D	100E
250 watts	250H	250A	250B	250C	250D	250E
500 watts	500H	500A	500B	500C	500D	500E
1000 watts	1000H	1000A	1000B	1000C	1000D	1000E
2500 watts	2500H					
5000 watts	5000H					

## MARCH MIDLAND MADNESS

2 METER  
13-500



Full 15 watts of output power, or cuts to 1 watt for short range transmissions. Complete multiple FET front end coupled with high Q resonator filter and ceramic filters. Back lighted S/RF meter, easy-glow channel dial. Unit comes with 94/94, 34/94 and 16/76 installed.

**\$199.95**

220 MHz  
13-509



Compact mobile rig, transmits at both 10 watt and 1 watt power and has 12 channel capability in the 220-225 MHz band. Transmitter has an ADL circuit. An APC circuit monitors antenna SWR. Complete multiple FET front end with high Q resonator filter, ceramic filters with 223.5 simplex installed.

**\$179.95**

## SPECIAL BONUS DURING MARCH

Buy your Midland 13-500 from Spectronics for \$199.95 and get a FREE Antenna Specialists HM-180, 3 dB "no holes" mobile antenna. A \$32 value.

OR

Buy the Midland 13-509 at \$179.95 and get a FREE Antenna Specialists HM-224, 4 dB "no holes" mobile antenna. A \$33 value.

SPECIAL LOW, LOW GROUP PRICES AVAILABLE FOR AS LITTLE AS 5 UNITS

HAVE OUR 1977 BUYERS GUIDE YET? IF NOT, CIRCLE  
#191 ON ADVERTISER CHECK-OFF. NO GENERAL MAILING.



### SPECTRONICS, INC.

1009 GARFIELD  
OAK PARK, IL. 60304  
312-848-6777  
TELEX 72:8310

### HOURS

STORE HOURS:  
Mon-Thurs 9:30-6:00, Fri. 9:30-8:00  
Sat. 9:30-3:00, Closed Sun. & Holidays.



# SPEAKERS

**SQUARE** — 3" - 4Ω - .3W, 4 mtg holes. \$1.45 ea. ppd., 2/\$2.75 or 4/\$4.80 ppd.

**PIONEER** — Round 2 3/4" x 7/8" - 16Ω - .3W, 4 hole mtg. \$1.55 ea., 2/\$2.85 or 4/\$5.20 ppd.

**OVAL** — 2" x 4" x 1 1/4" deep - 8Ω - .1W, 4 Hole Mtg. \$1.75 ea. ppd., 2/\$3.15 or 4/\$5.75 ppd.

**Round #5P585A** 2" x 3/4" - 8Ω - .1W \$1.35 ea. ppd. 2/\$2.55 or 4/\$4.75 ppd.

**14 MULTI-CONDUCTOR RIBBON** — #22 color coded — Qty limited. 20¢ per ft. or \$1.25/10 ft.

**TUNING METERS** — Blue tinted plastic body, 0 to left, graduated scale, 200µA, 1 1/2"W x 1 1/4"H x 3/4"D. Scale can be rear lighted. Sylvania #18148-1 \$2.25 ea. or 4/\$6.95 ppd.

**3000 MFD @ 30 Volt Capacitors.** 1" Dia. x 3" — 90¢ ea. or 3/\$2.25 ppd.

**3000 MFD @ 20V Capacitors.** Same size as above. 80¢ ea. or 3 for \$2.00 ppd.

**ALSO 3000 MFD @ 50V, 3" x 1 3/8" dia.** 95¢ ea. or 3/\$2.65 ppd.

**ELECTROLYTIC CAPACITOR — PHILCO QUAD SECTION** 4" x 1 3/8" dia. TWISTAB MTG.

**100x150 MFD @ 400V and at 350V D.C.** and 20x50 MFD @ 250V — A nice unit for Xceiver, etc. \$1.10 ea. or 3/\$2.95 ppd.

**DUAL Electrolytic 1000 & 500 MFD.** 15V, long leads. 3/4" dia. x 2 1/4" long. 55¢ each 3/\$1.50 ppd.

**CRL Disc Capacitors.** .1 MFD, 10V 3/8" dia., long leads. 10 for \$1.00 ppd. 100/\$8.40, 500/\$36.60 (U.P.S. Only)

**UNPOTTED TOROIDS** — center tapped 88MHY Limited Qty's 44 MHY 5/\$2.95 5/\$3.95 ppd.

**NEW** Transistor and Relay Assembly — consists of (2) MJE3055 and (2) MJE2955 transistors (10 amp, 90w, 60v complementary pairs) mounted in "U" channel heat sink 2 1/2" x 1 1/2" x 1 1/2". (2) XTAL CAN RELAYS, DPDT, 28v, 8000Ω, 5.8 ma DC, 1 amp contacts mounted on PC board with resistors. \$2.95 ea. ppd.

**400 PIV BRIDGES** — 1.5A Gen. Instr. P.C. Bd type. 65¢ ea. or 3/\$1.80 ppd.

**SEMTECH BRIDGES** Heat sink w/center hole mtg. 10 Amp — Tested — 200V P.I.V. \$1.75 ea. ppd. 400V P.I.V. \$1.95 ea. ppd. 600V P.I.V. \$2.15 ea. ppd.

**25 AMP — TESTED** 200V P.I.V. \$2.25 ea. ppd. 400V P.I.V. \$2.50 ea. ppd. 600V P.I.V. \$2.85 ea. ppd.

**CARBON TRIMMERS** Miniature 1/4 watt units. PC type. Values: 200, 700, 1000, 1.5K, 250K, 700K 30¢ ea. or 5/\$1.35 ppd.

**NEW MINI** Imported vertical pots (1/2"H, 3/8"W, 1/16"D) Values: 1000, 2.5K, 5K, 50K ohms. Slot adj. Also 500Ω and 5K Horiz. Price: 5 for \$1.20 ppd.

**NEW SIZES — VERTICAL MOUNT PC BOARD POTENTIOMETERS** American made (CRL) Cermet sizes: 25K, 100K ohms. 5/\$1.30 ppd. CTS Blue wheel. Values: 750, 1K, 1.5K, 50K, 300K ohms. 5/\$1.25 ppd.

**I.C. — Fairchild RTL.** µL 900 or µL 914 Full leads, 3/\$1.35 ppd. µL923 Full Leads. 3/\$1.85 ppd.

**SEND STAMP FOR BARGAIN LIST PENNSYLVANIA RESIDENTS - ADD 6% ALL ITEMS PPD. USA**

Canadian orders for less than \$5.00 add \$1.00 to cover additional mailing costs. UPS requires your street address.

**m. weinschenker**  
electronic specialties-BOX 353, IRWIN, PA 15642

# flea market

**UNCONVENTIONAL SWAP FEST**, Saturday, March 5, 1977 Marshall High School, Marshall, Michigan (near I-94 at I-69). Tech sessions, computer sessions, DX, VHF, YL meetings, plus a home tour of Historical Marshall, and dine at the world famous Win Schulers. Details and reservations - Goodrich, 117 Parrott Drive, Marshall, Michigan. Call it anything but a convention.

**HELP FOR YOUR NOVICE**, general, advanced ticket. Recorded audio-visual theory instruction. Free information. Amateur License Instruction, P. O. Box 6015, Norfolk, Va. 23508.

**WANTED:** Inoperative Collins R-390A to repair and for maintenance of my R-390A. Ed Wagner, 1018 Birch Haven Cir., Monona, WI 53716.

## Coming Events

**W6LS** 12th Los Angeles Amateur Radio Convention. Saturday and Sunday, May 21 & 22. 2814 Empire Ave., Burbank, CA 91605.

**THE ROCK RIVER RADIO CLUB HAMFEST** is April 24, 1977, at Amboy, Illinois, Lee County at the 4H Center, Routes 30 and 52. Same place as last year. Tickets \$1.00 advance. \$2.00 at gate. Camper parking available at a nominal fee. Write Carl Karlson, W9ECF, Nachusa, Illinois 61057. Indoor and outdoor facilities.

**INTERNATIONAL DX CONVENTION** — Fresno Hilton Hotel, Fresno, California, April 1, 2, & 3, 1977. Contact Northern California DX Club, Inc., PO Box 360, Menlo Park, CA 94025.

**AUCTION & FLEA MARKET** — Saturday, March 26, 10:00AM at St. Joseph's Church, East Rutherford, N.J. — Free admission/parking. Knight Raiders VHF Club. (201)473-7113 evenings only.

**RALEIGH, N.C. HAMFEST** will be held Saturday night, April 16 & Sunday, April 17 at the Crabtree Valley Mall, Highway 70W. Eyeball social & doorprizes Saturday night. Sunday a huge covered flea market, prizes, meetings & ladies programs. Admission: \$3.00. For more information write RARS Hamfest, PO Box 17124, Raleigh, N.C. 27609.

**KANSAS CITY:** Eighth Annual Northwest Missouri Hamfest, April 23, 24, 1977 at Exhibit Hall 2, Municipal Airport. Forums, swap tables, commercial exhibits, contests, YL-XYL program, free parking. Banquet Saturday evening at world famous Gold Buffet with ARRL President Harry Dannels as guest speaker. Preregistration, \$2.00; door, \$2.50; preregistration with banquet, \$8.00. Info: PHD, P.O. Box 11, Liberty, MO 64068.

**THE BIGGEST LITTLE HAMFEST** in America will be held March 19, and 20, 1977, in Vero Beach, Florida. Make your plans to attend the treasure coast hamfest now. Prizes — Atlas 210 with console and an Icom 22s. Tickets \$2 advance, \$3 at door. For more information write to 2226 11th Lane, Vero Beach, Florida 32960.

**26th DAYTON HAMVENTION** at Hara Arena April 29, 30, May 1, 1977. Technical forums, exhibits, and huge flea market. Program brochures mailed March 7th., to those registered within past three years. For accommodations or advance flyer, write Hamvention, P.O. Box 44, Dayton, Ohio 45401.

**STARVED ROCK RADIO CLUB HAMFEST** — June 5. S.A.S.E. after 4/1/77 for details. SRRC/W9MKS, RFD #1, Oglesby, Ill. 61348.

**NEW JERSEY** Delaware Valley Radio Association (W2Z-Q/WR2ADE) flea market and auction will be held on Sunday, May 1, 1977, 9 AM rain or shine at the Villa Victoria Academy in West Trenton, N. J. (The school is located adjacent to Rt. 29 near the junction of Rt. 29 and I-95.) Talk in on 07/67 and 146.52. Refreshments are available. Advance registration \$1.00; or \$1.50 at the gate. For additional information or tickets write: DVRA, P.O. Box 7024, West Trenton, New Jersey 08628, s.a.s.e. please.

**MICROPROCESSOR WORKSHOPS** Microcomputer Interfacing Workshop, June 9, 10, 11. A three-day workshop based on the popular 8080 micro processor. Over 20 operating 8080 computers are available for participant use.

**Digital Electronics for Automation Workshop**, June 7, 8. A two-day workshop based on the small scale and medium scale TTL integrated circuits. Many hours of laboratory time with individual breadboarding stations will be provided along with in-depth lectures. For more information on these workshops contact Dr. Norris Bell, V.P.I. and S.U. Continuing Education Center, Blacksburg, Virginia 24061, (703) 951-6328.

# COLLINS RCVR

**ARR-41/R-648** Collins Airborne version of R-390. Same outstanding performance. Mechanical filters in IF, Digital Tuning, 1 kHz readout, 28 VDC. Easily converted to 115VAC, 190-500 kHz, 2-25 MHz. \$265.00

**MIXED VALUES.**

**DISC CERAMIC CAPACITORS \$5.00/LB. PPD. IN U.S.A.**

If you don't like the pound you get — call or write and we'll send another pound FREE. (And you keep the first pound.)

**LTV G-175H VHF COUNTERMEASURES RCVR** 30-260 MHz, Two separate front ends. 60-260 front end has 416B preamp. AM, FM has calibrated BFO, has built-in COR. Back lighted aircraft type panel. More info on request. \$375.00

**SRR-13A RCVR 2-32 MHz** THIS CRITTER IS IMMACULATE! Looks and smells new with some spares, connectors to make test cables and complete documentation. \$425.00

**206 MHz AND 2.3 GHz SOLID STATE RECEIVING SYSTEM** With weather-proof preamp. 3.7 dB NF @ 206 MHz, 7 dB NF max. @ 2390 MHz. 4.8 GHz preamp included in weather-proof housing (8.7 dB NF). All units except preamp 19" std. rack mount. Complete documentation avail. w/equipment. \$375.00



**RCVR 2 to 30 MHz** depending on the plug-in front end. Provision for XTAL control. Makes a fine single-channel H.F. RCVR. \$125.00

**100 kHz solid state standard frequency oscillator.** Complete in oven. Size: 4 1/4" x 2" x 1 1/2". James Knight's part #JKT0-23. Octal plug-in. Hermetically sealed. \$25.00

**WE ARE BUYERS** as well as sellers. What have you? We don't have a catalog, by the time we'd publish it the merchandise would be gone.

**DISC-CAP, 19075 BRAEMORE RD. NORTHRIDGE, CA. 91326 213-360-3387**

## WANTED FOR CASH



**4CX150 4CX1000 4-65 4-250**  
**4CX250 4CX1500 4-125A 4-400**  
**4CX300A 4CX3000 4-1000**  
**4CX350A 4CX5000 304TL**  
**4CX10,000**  
**5CX1500**

Other tubes and Klystrons also wanted.

**The Ted Dames Company**

308 Hickory St. Arlington, N.J. 07032  
(201) 998-4246 Evenings (201) 998-6475

## LEARN RADIO CODE



## THE EASY WAY!

Based on modern psychological techniques — This course will take you beyond 13 w.p.m. in LESS THAN HALF THE TIME!

**\$9.95**

Album contains three 12" LP's  
**2 1/2 hr. instruction**

Available in Cassette also for only \$10.95.

**EPSILON RECORDS**

508 East Washington St., Arcola, IL 61910

# SEND SASE BUSINESS SIZE FOR COMPLETE MAIL ORDER CATALOG

## SST T-1 RANDOM WIRE ANTENNA TUNER

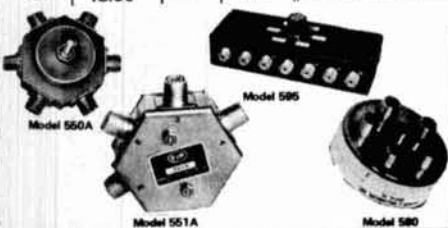


All band operation (160-10 meters) with most any random length wire. 200 Watt power capability. Ideal for portable or home operation. A must for Field Day. Size: 2 x

4-1/4 x 2-3/8. Built-in neon tune-up indicator. Guaranteed for 90 days. Compact — easy to use. Only \$29.95 postpaid (add sales tax in CA).

## COAXIAL SWITCH SELECTOR CHART — BARKER & WILLIAMSON, INC.

Model	PRICE	Outputs	Connector Placement	Remarks
375	18.95	6	Axial	PROTAX switch. Grounds all except selected output circuit.
376	18.95	5	Radial	PROTAX switch. Grounds all except selected output circuit. Sixth switch position grounds #1 outputs.
550A	14.00	5	Radial	
550A-2	12.50	2	Radial	
551A	17.50	2	Radial	Special 2 pole, 2 position switch used to switch any RF device in or out of series connection in a coaxial line. (See figure lower)
556	.95	—	—	Bracket only, for wall mounting of radial connector switches.
590	17.95	5	Axial	
590G	17.95	5	Axial	Grounds all except selected output circuit.
592	16.50	2	Axial	
595	18.50	6	In-line	Grounds all except selected output circuit.



## DENTRON

### 160-10AT SUPERTUNER™

Want an antenna tuner to match everything between 160 and 10 through balanced line, coax line and random line. Supertuner™ is the one for you at just \$129.50

### 160-10AT-3K

**SUPER SUPERTUNER™**  
Designed and engineered to be compatible with the full-power highly efficient

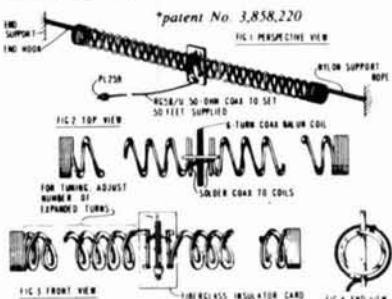
modern amplifiers now available to the amateur. In our opinion the finest tuner on the market today. \$229.50

### 80-10AT SKYMATCHERTM

Here's an antenna tuner for 80 through 10 meters, handles full legal power and matches your 52 ohm transceiver to a random wire antenna. 80-10AT is yours for only \$59.50

## SLINKY! \$39.95 kit

A LOT of antenna in a LITTLE space  
New Slinky® dipole\* with helical loading radiates a good signal at 1/10 wavelength long!



\* This electrically small 80/75, 40, & 20 meter antenna operates at any length from 24 to 70 feet • no extra balun or transmatch needed • portable—erects & stores in minutes • small enough to fit in attic or apartment • full legal power • low SWR over complete 80/75, 40, & 20 meter bands • much lower atmospheric noise pickup than a vertical and needs no radials • kit includes a pair of specially-made 4-inch dia. by 4-inch long coils, containing 335 feet of radiating conductor, balun, 50 ft RG58/U coax, PL259 connector, nylon rope & instruction manual • now in use by US Dept of State, US Army, radio schools, plus thousands of hams the world over



Larsen Antennas  
to fit Any Mobile Urfit

## Larsen Antennas

Magnetic Mount or Gutter Clamp 5/8 wave — \$38.50  
Specify, 2 meters, 220, 450. 1/4 wave — \$18.50  
.....  
3/8" single hole mount 5/8 wave \$31.50  
1/4 wave 11.50

### MODEL 104R



NPC 6 Amp Power Supply  
Regulated.  
Solid State. Dual  
Overload Protection.

Converts 115 volts AC to 13.6 volts DC ±200 millivolts. Handles 4 amps continuous and 6 amps max. Ideally suited for applications where

excellent DC stability is important, such as CB transmission, small Ham radio transmitter, and high quality eight-track car stereos. Can be used to trickle-charge 12 volt car batteries.

Output Voltage	MAXIMUM	TYPICAL
Line/Load Regulation	13.6 ± 2 VDC	13.6 ± 3 VDC
Ripple/Noise	20 mV	50 mV
Transient Response	2 mV RMS	5 mV RMS
Current Continuous	20 µSec	
Current Limit	4 Amp	
Current Foldback	6 Amp	
	2 Amp	

**\$49.95**

Case: 3 1/2" (H) x 5 1/2" (W) x 6 1/2" (D). Shipping Weight: 6 lbs.

talk power by **TPL**



TPL for an Economy Price?  
THAT'S RIGHT!

### introducing the ECONO-LINE

Model	Input	Output	Typical	Frequency	Price
702	5-20W	50-90W	10 in/70 out	143-149 MHz	\$139.00
702B	1-4W	60-80W	1 in/70 out	143-149 MHz	\$169.00

Now get TPL COMMUNICATIONS quality and reliability at an economy price. The new Econo-Line gives you everything that you've come to expect from TPL at a real cost reduction. The latest mechanical and electronic construction techniques combine to make the Econo-Line your best amplifier value. Unique broad-band circuitry requires no tuning throughout the entire 2-meter band and adjacent MARS channels. See these great new additions to the TPL COMMUNICATIONS product line at your favorite amateur radio dealer.

For prices and specifications please write for our Amateur Products Summary! FCC type accepted power amplifiers also available. Please call or write for a copy of TPL's Commercial Products Summary.

## BOMAR

TWO METER  
CRYSTALS IN STOCK

Standard • Icom • Heathkit • Ken • Clegg • Regency • Wilson • VHF Eng • Drake • And Others!

\$4.50 @ Lifetime Guarantee

Novice Crystals  
(Specify Band Only)

Crystal Company

NOW!  
Motorola HT 220 Crystals  
In Stock!

Make/Model	Xmit Freq.	Rec. Freq.

## TUFTS

209 Mystic Ave.  
Medford MA 02155  
(617) 395-8280

New England's  
Friendliest Ham Store

**FREE Gift With Every Order!**



ALL SALES FINAL!



Master Charge & BankAmericard accepted on most orders.

Name \_\_\_\_\_ Call \_\_\_\_\_

Address \_\_\_\_\_

City \_\_\_\_\_ State \_\_\_\_\_ Zip \_\_\_\_\_

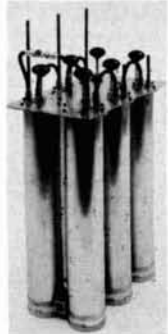
Order: \_\_\_\_\_

Open 9AM to 9PM  
Mon.-Fri.  
Sat. 9-6

Prices FOB Medford MA. All units can be shipped UPS. MA residents add 5% sales tax. Orders over \$100 deduct 5%. Add \$3.50 for shipping & handling on all orders.

# DUPLEXER & CAVITY KITS...

## Now available for you fully assembled and tuned!



- UPGRADE YOUR REPEATER WITH A RF TECHNOLOGY DUPLEXER.
- ALL DUPLEXERS AND CAVITIES ARE TEMPERATURE COMPENSATED WITH INVAR® AND MEET ALL COMMERCIAL STANDARDS
- ONLY TOP QUALITY MATERIALS GO INTO OUR PRODUCTS.
- BOTH KITS & ASSEMBLED DUPLEXERS AND CAVITIES ARE AVAILABLE TO YOU AT A SAVINGS TO YOU.

**Mod. 62-3...6 cav., 2 mtr.,** insertion loss 0.6 db with isolation 100 db typical; pwr. 350 w. Kit \$349 ea.-Assembled \$439.

**Mod. 4220-3...4 cav. 220 MHz** insertion loss 0.6 db with 80 db isolation typical; pwr. 350 w. Kit \$249 ea. - Assembled \$329.

**Mod. 4440-3...4 cav. 440 MHz,** insertion loss 0.6 db with 80 db isolation typical; pwr. 350 w. Kits \$249 ea. - Assembled \$329.

**Mod. 30 Cavity Kits:** 2 mtr. \$65 ea., 220 MHz \$65 ea., 440 MHz \$65 ea., 6 mtr. \$115 ea. Add \$15 for Assembled Kit.

Also available: 6 mtr., 4 cav. Kit \$399-Assembled \$499, 2 mtr. 4 cav. Kit \$249-Assembled \$329, 440 MHz TV Repeater Duplexer

Only hand tools are necessary to assemble Kits!

Send your order to: Distributor: **TUFTS RADIO**, 386 Main St., Medford, Mass. 02155. Phone (617) 395-8280.

(Prices F.O.B. Medford, Mass. All units can be shipped U.P.S.-C.O.D. orders require \$50 deposit. —Mass. residents add 5% sales tax.)

# flea market

**PHOENIX, ARIZONA, MARCH 6, 1977.** Winter Hamfest at South Mountain Park — Swap Meet, Eyeball, Pot Luck. South Mountain Park is at the south end of Central Avenue, Phoenix. Sponsored by the Amateur Radio Council of Arizona.

**A BIG THANK YOU** to everyone who attended the First Annual Sangamon Valley Radio Club HAMFEST at New Berlin, Illinois on September 26, 1976. Your attendance made the event a huge success and we'll be back next year, bigger and better, on Sunday, September 25, 1977. See you there!

**TOLEDO MOBILE RADIO ASSOCIATION, INC.** 22 Annual Ham Auction, Sunday, March 20, 1977 at the Lucas County Recreation Center, Maumee (Toledo), Ohio. Auction, Flea Market, Commercial displays and good Eyeball QSO's. From 8 AM to 5 PM. \$2.00 advance, \$2.50 after March 1, 1977 or at the door. Talk-in on 52.52 and all Toledo area repeaters. Send s.a.s.e., Toledo Mobile Radio Association, Inc., Box 7548, Oregon, Ohio 43616.

**MOULTRIE AMATEUR RADIO KLUB** 16th. Annual hamfest the last Sunday of April at Wyman Park, Sullivan, Ill. Heated indoor area and large outdoor parking area. No charge to vendors. For information write Mark Radio Klub, PO Box 327 Mattoon, Ill. 61938. Talk in 146.94.

**GREATER BALTIMORE HAMBOREE**, Sunday April 3rd at 9:00 AM at Calvert Hall College Goucher Blvd. and La Salle Rd., Towson, Md. 21204 (1 mile south of Exit 28, BELTWAY-INTERSTATE 695). Food Service, Prizes, Giant Flea Market. Admission Charge \$2.00. 225 Tables inside Gym. Over 1700 attended last year. INFORMATION AND TABLE RESERVATION: Contact Bro. Gerald Malseed, W3WVC at School Address or call 301-825-4266.

**"MICHIGAN CROSSROADS"** Amateur & Computer Hobbyists FLEAMARKET! Junction I-94 & I-69 Saturday MARCH 5 8a-4p. Forums-YL Tours! MARSHALL HIGH SCHOOL Sponsors WB8QQU (MHS "AMPS") and W8DF (SMARS, Inc.) Information K8UCY Secy 616-781-3554.

**F.M. B\*A\*S\*H\*, DAYTON, OHIO**, April 29, 1977, on the Friday night of the DAYTON HAMVENTION. This is a social evening for all hams and their friends from 8PM til midnight at the Dayton Biltmore Towers, First and Main Street. Admission is free. Sandwiches, beverages, snacks and C.O.D. bar will be available. Live entertainment by TV personality Rob Reider (WABGFF) and his group. 11PM prize drawing featuring ICOM IC-245 and other prizes. See you where the action is!

**TEXAS.** Midland Amateur Radio Club SWAP Fest Saturday and Sunday, March 26th and 27th. It will be held in the County Exhibit Bldg. on Highway 80, just East of Midland, Texas. Pre-registration will be \$3.50 per person, and \$4.00 at the Door. Please send pre-registration fees to Midland Amateur Radio Club, Box 4401, Midland, Texas 79701.

**THE MESILLA VALLEY RADIO CLUB** Sponsors Whitey's Bean Feed and Swap-Fest Sunday, April 24th, at 10:00a.m. Located near Las Cruces, New Mexico at La Mesa with talk-ins on 16-76, 04-64 and 3940 KC. Fun for all the family with big prizes, plenty of food and the usual beverage truck. All included for \$5.00 for adults \$1.75 for kid tickets. Eat, drink and win a prize with Whitney, K5EQCQ as host. Free overnight parking at grounds, so come for a spell. All correspondence should be made with Thomas B. Rapkoch Jr., 640 W. Las Cruces Ave., Las Cruces, New Mexico 88001.

## Stolen Equipment

**ICOM 22S SN:** 2265, stolen from: Ed Weiss W0SSJ, 4501 West Kentucky #56, Denver, Colo. 80219.

**STOLEN** between December 18, and 22, 1976 from truck at 11318 Gravenhurst Dr. Cincinnati, Ohio. Regency HR-2A Serial 04-06931 and Regency AR-2 Two Meter Amplifier, Serial 115-0388. A \$50 dollar reward is offered leading to conviction of suspects involved notify W8QLL, 11318 Gravenhurst Dr., Cincinnati, Ohio 45231, or your local police department. Items have been entered into (NCIC) FBI computer.

**FOLLOWING EQUIPMENT WAS STOLEN** from the WA3RCA club station between five and eight PM, December 12, 1976. Collins KWM-2 Transceiver #10272, and 516F2 P/S #19920, Drake TR4-C #35245, and AC-4 P/S and unfinished Heathkit HW-2021. Report information to Cheltenham Police at: 215-887-6200; officer #12. An award of \$100.00 is being offered for identification of the robbers, or other substantial information, and/or return of the equipment.

## ALDELCO SEMI-CONDUCTOR SUPERMARKET RF DEVICES.

2N3375 3W 400 MHz	5.50	2N6080 4W 175 MHz	5.40
2N3866 1W 400 MHz	99	2N6081 15W 175 MHz	8.45
2N5589 3W 175 MHz	4.75	2N6082 25W 175 MHz	10.95
2N5590 10W 175 MHz	7.80	2N6083 30W 175 MHz	12.30
2N5591 25W 175 MHz	10.95	2N6084 40W 175 MHz	16.30

## HEAVY DUTY RECTIFIERS

200 Volt 100 Amp D08	8.50
200 Volt 250 Amp D09	12.50
1000 Volt 2 Amp Silicon Rectifier RCA	10 for .99
10,000 Volt Silicon Rectifier Erie, 65 mA	2.95

## ALDELCO KITS

Digital Clock Kit. Hours, Minutes & Seconds. Large Half Inch LED readouts. Elapsed time indicator. 12 hour format with 24 hour alarm. Snooze feature, AM PM indicator, Power Supply, power failure indicator. Complete with wood grain cabinet. \$23.95

## NOW OPEN - ALDELCO COMPUTER CENTER - books, magazines, kits, boards & support chips.

OK hand-wire-wrap tool \$3.95  
OK battery power wire-wrap tool \$34.95  
Wire-Wrap Wire-50 Special \$1.99

## DISCRETE LEDES

Jumbo Reds. Long or Short bulb	6 for \$1.00
Jumbo Orange, Green, Clear Red or Green	5 for \$1.00
209 Series. Green, Orange, Yellow or Red	5 for \$1.00
RL2 or Micro Red	5 for \$1.00

## ZENERS

1N746 to 1N759 400 Mw ea.	.25	1N4728 to 1N4764 1 w.	.35
C106B	\$65	CA 3028A DiF Amp	\$1.50
MP5A14	90	80B04A	\$29.95
2N3055	99	LM3904 Volt. Reg.	1.10
MPF 102 FET	45	LM3801 Audio Amp.	1.75
2N3904 or 2N3906	10/99	21L02 1	8 for \$1.50
2N5496 or 2N6108	40	NE561B PLL	4.95
MJE 340 (2N5655)	\$1.10	NE562B PLL	4.95
40673 RCA FET	\$1.55	NE565A PLL	2.50
741 or 709 14 Pin DIP	75	LM709 or LM741 Min Dip	45
555 Times	75	LM741C T05 OP Amp	45
556 (Dual 555)	\$1.75	14 or 16 Pin IC Sockets	30
200 Volt 25 Amp Bridge	\$1.50		
1N914 1N4148	10 for 99		
1N34 1N60 1N64	10 for 99		

We quote on any device at any quantity. Add 5% for shipping. Min. order \$6.00. Out of USA send Certified Check or Money Order. Include postage.

# ALDELCO

2281H Babylon Tnpk., Merrick, NY 11566  
(516) 378-4555

## TEST EQUIPMENT

All equipment listed is operational and unconditionally guaranteed. Money back if not satisfied — equipment being returned must be shipped prepaid. Include check or money order with order. Prices include UPS or motor freight charges.

BOONTON 190A Q-mtr 30-200MHz	\$425
BOONTON 202E AM-FM sig gen	
54 216mHz	425
DEI TDU-4 30mHz video display	55
GR1001A LF sig gen 5kHz-50mHz	385
HP100ER Freq stand .05 parts/mil	
Outputs 10,100Hz; 1,100,100kHz	155
HP160B (USM105) 15mHz scope with reg horiz, dual trace vert plugs	375
HP166B (Mil) Delay sweep for above	130
HP170A (USM140) 30mHz scope with reg horiz, dual trace vert plugs	475
HP175A 50mHz scope with reg horiz, dual trace vert plugs	565
HP185A Sampling scope to 1 GHz	
186B xstr rise time plug	585
HP202B LF Osc .5Hz-50kHz 10v out	75
HP205AG Lab audio gen .02-20kHz	195
HP212A Pulse gen .06-5kHzPRR	65
HP524D Freq counter-basic range 10Hz-10mHz extends w/plug-ins	195
HP540B Trans osc to 12.4GHz for use w/HP524-type counters	145
HP616 Sig gen 1.8-49Hz FM-CW	365
HP686 Sweep gen 8.2-12.4GHz sweep range 4.4mHz-4.4GHz	495
HP803A VHF Ant bridge 50-500MHz	135
SOLITRON 200A SCR tester — all functions w/scope output	135
Tek181 Time mark scope calib.	55
Tek190 Sig gen (const amp) 50mHz	125
Tek536 11mHz X-Y scope — uses two letter-series plug-ins	295
Tek565 Dual beam 10mHz scope less plug-ins (3 series)	625
TS505 Std VTM (rf-500mHz)	65

For complete list of all test equipment send stamped, self-addressed envelope

## GRAY Electronics

P.O. Box 941, Monroe, Mich. 48161  
Specializing in used test equipment.

# GENAVE

## The HAM Gear for

## 1977



### GTX-IT

Hand-Held  
2-meter FM, 6-  
channel, 3.5  
watts hand-  
held with  
factory-  
installed tone  
encoder

**\$299<sup>95</sup>**

### GTX-I

Hand-Held  
2-meter FM, 6-  
channel, 3.5  
watts hand-  
held

**\$249<sup>95</sup>**

#### CHECK THESE FEATURES:

- All metal case
- American made
- Accepts standard plug-in crystals
- Features 10.7 MHz crystal filter
- Trimmer caps on TX and RX crystals
- 3.5 watts output
- Battery holder accepts AA regular, alkaline or nicad cells
- Mini hand-held measures 8" high x 2.625" wide x 1.281" deep

- Rubber ducky antenna.
- Wrist safety-carrying-strap included
- 6 channels
- Factory-direct to you!

#### Accessories Available

- Nicad battery pack
- Charger for GTX-1 battery pack
- Leather carrying case
- TEIII tone encoder for auto patch

#### TO NE ENCODER PAD

Plug-in installation on most amateur transceivers.

TE-II

**\$49<sup>95</sup>**

TE-I

**\$59<sup>95</sup>**



### GTX-202 INTERMOD? Virtually None! SELECTIVITY? Really Super NUMBER OF CHANNELS? From 1 to 22

**\$239<sup>95</sup>**  
(Incl. 146.94 MHz)



The GTX-202 is adaptable anywhere—at half the price of synthesis—so, buy at low acquisition cost, and add crystals later as you want them.

#### CHECK THESE OUTSTANDING FEATURES:

- Massive heat sink to maintain power over prolonged transmissions
- 30 watts (nom.) output
- 8-pole crystal filter
- 15-pin accessory jack
- Dual-gate MOSFET front end

Same Circuitry as used in Genave's famous Land Mobile transceivers . . . Manufactured in America by the same Government-Inspected facility that produces high quality reliable communications and navigations for marine and aircraft industries.



### GTX-200-T

2-meter FM, 100 channel combinations, 30 watts with factory installed tone encoder (Incl. 146.94 MHz)

**\$249<sup>95</sup>**



### GTX-200

2-meter FM, 100 channel combinations, 30 watts (Incl. 146.94 MHz)

**\$199<sup>95</sup>**



### GTX-10-S

2-meter FM, 10 channels, 10 watts (Xtals not included)

**\$149<sup>95</sup>**



### GTX-2

2-meter FM, 10 channels, 30 watts with pushbutton frequency selector (Incl. 146.94 MHz)

**\$189<sup>95</sup>**

**'HURRY! USE THIS HANDY ORDER FORM!'**



4141 Kingman Dr., Indianapolis, IN 46226  
Phone-in orders accepted (317+546-1111)

NAME \_\_\_\_\_

ADDRESS \_\_\_\_\_

CITY \_\_\_\_\_

STATE & ZIP \_\_\_\_\_

AMATEUR CALL \_\_\_\_\_

Payment by:

- Certified Check / Money Order     Personal Check  
C.O.D. Include 20% Down

Note: Orders accompanied by personal checks will require about two weeks to process.  
20% Down Payment Enclosed. Charge Balance To:

- BankAmericard # \_\_\_\_\_ Expires \_\_\_\_\_  
 Master Charge # \_\_\_\_\_ Expires \_\_\_\_\_  
 Interbank # \_\_\_\_\_ Expires \_\_\_\_\_

IN residents add 4% sales tax: } \$ \_\_\_\_\_  
CA residents add 6% sales tax: }

All orders shipped post-paid within continental U.S.

- |                                    |                           |   |                           |
|------------------------------------|---------------------------|---|---------------------------|
| <input type="checkbox"/> GTX-202   | <b>\$239<sup>95</sup></b> | <input type="checkbox"/> Ringo Ranger ARX-2 6db 2-M Base Antenna  | <b>\$299<sup>95</sup></b> |
| <input type="checkbox"/> GTX-200-T | <b>\$249<sup>95</sup></b> | <input type="checkbox"/> Lambda/4 2-M and 6-M Trunk Antenna   | <b>\$299<sup>95</sup></b> |
| <input type="checkbox"/> GTX-200   | <b>\$199<sup>95</sup></b> | <input type="checkbox"/> TE-I Tone Encoder Pad  | <b>\$59<sup>95</sup></b>  |
| <input type="checkbox"/> GTX-10-S  | <b>\$149<sup>95</sup></b> | <input type="checkbox"/> TE-II Tone Encoder Pad   | <b>\$49<sup>95</sup></b>  |
| <input type="checkbox"/> GTX-2     | <b>\$189<sup>95</sup></b> | <input type="checkbox"/> PS-I AC Power Supply for use with all makes of transceivers 14 VDC—6 amp           | <b>\$69<sup>95</sup></b>  |
| <input type="checkbox"/> GTX-1     | <b>\$249<sup>95</sup></b> | and the following standard crystals @ \$4.50 each \$ _____<br>Non-standard crystals @ \$6.50 each: \$ _____ |                           |
| <input type="checkbox"/> GTX-IT    | <b>\$299<sup>95</sup></b> |   |                           |

Add \$4 per Radio for Shipping, Handling, and Crystal Netting.

#### ACCESSORIES FOR GTX-1 and GTX-1T

- PSI-18 Optional Nicad battery pack ..... **\$29<sup>95</sup>**
- PS-2 Charger for GTX-1(T) battery pack ..... **\$39<sup>95</sup>**
- GLC-1 Leather carrying case ..... **\$12<sup>95</sup>**
- TE-III Tone Encoder (for use with GTX-1) .... **\$49<sup>95</sup>**

H-3

# the BRIMSTONE 144

## 2 METER FM TRANSCEIVER



Size 9 1/2" x 10 1/2" x 3 1/4"

★ TWO YEAR WARRANTY!

- ★ 143 to 149.99 MHz in digitally digited 5 KHZ steps without buying a single crystal! 142 MHz coverage optional.
- ★ 25 Watts RF output
- ★ .25 uV. 12 Db. SINAD sensitivity
- ★ Completely independent transmit/Receive frequency control, yet simplex with the flip of a single switch.

Includes dynamic microphone and mobile mounting bracket

**AMATEUR NET**  
\$650.00

- ★ Very low transmitter spurious output
- ★ Beryllium copper printed circuit card guides provide SOLID retention of plug in modules, as well as excellent ground connection to the modules.

All of this plus optional plug in modules for Tone Burst, Dial Tone, Sub-Audible Tone, and a Touch Tone® interface module.

## NEW PRODUCTS!



- ★ REPEATER AND RTTY CW IDENTIFIER  
254 bit capacity allows you to send your call plus other desirable information.  
Easily programmed.  
Size 6" x 4 1/8" \$62.50 Assembled



- ★ REPEATER AUTOPATCH AND CONTROL  
3 digit access, single digit disconnect.  
3 digit repeater ON-OFF control.  
AGC with 30 Db dynamic range on all inputs and outputs! Just connect repeater Rcvr, TX, Idler, Touch-Tone line and power.  
Size 9 1/8" x 4 1/8" \$199.95 Assembled



- ★ 650 MHz PRESCALER KIT  
Why pay \$75.00 to \$100.00 or more for a 250 MHz prescaler when you can get one that goes all the way to 650 MHz for just  
Size 1" x 1 1/8" 12V or 5VDC \$47.50

Send for our six page COLOR brochure which gives you the full story, inside and out!

Touch Tone® — trademark of the Western Electric Co.



- ★ TOUCH-TONE KEY BOARD  
Positive snap-action push-button switches!  
No need to worry about long finger nails.  
No more mis-dialing because of intermittent switch contacts.  
Standard touch-tone format.  
Size 2 1/8" x 2" x 3/16" \$8.00



**TEC-KAN, Inc.**

2916 ARNOLD AVE.  
BUILDING NO. 317  
SALINA, KANSAS 67401  
Tel. 913-823-2235

**CASH FOR 2-WAY FM RADIO**  
MOTOROLA, GE, RCA, ETC. EQUIPMENT  
MOBILES, BASES, PORTABLES, MOBILE-TELEPHONES, REPEATERS, REMOTE CONTROLS, TONE EQUIPMENT, 2-WAY TEST EQUIPMENT  
Operational Units Only  
Commissions/Finders Fees  
**CAL-COM SYSTEMS, INC.**  
701-51A KINGS ROW, SAN JOSE, CALIF. 95112  
Telephone 24 Hours 408/998-4444

**DIPOLE ANTENNA CONNECTOR**  
HYE-QUE (HQ-1) dipole connector has coax SO-239 socket molded into glass filled plastic body to accept coax PL-259 plug on feedline. Drip-cap keeps coax fittings dry. Instructions included. Guaranteed. At your dealers or \$3.95 postpaid. Comparison insulators 2/\$.99.  
**BUDWIG MFG. Co.** PO Box 97H, Ramona, CA 92065

## DIRECT CONVERSION RECEIVER MODULE KIT

Includes: tuned RF amp., double balanced product detector, 2 section passive audio filter, low noise audio preamp., volume control, and a 1 watt audio power amplifier on a 3" x 5" glass epoxy p. c. board.

Use your VFO or crystal oscillator  
12 volt operation  
Specify 80 or 40 meter band with order

**\$39.95** ppd USA

Kits do not include case or connectors

ORDER FROM

**DIRECT CONVERSION TECHNIQUE**  
3132 NORTH LOWELL AVENUE  
CHICAGO, ILLINOIS 60641

send SASE for flyer, \$1.00 for catalog

## NEW VISUAL CODE READER AND ELECTRONIC KEYS

Our popular, lowest priced CODE READER KIT  
Model KCR101 \$149  
Ready made CODE READER  
Model CR101 \$225



Works with any keyer, including squeeze keyer in speeds from 7 WPM to 40 WPM. Both in a single unit.

Model CR101EK \$249

from **ATRONICS**

The Atronics Code Readers:

- Display letters, numbers, and commonly used punctuation visually as Morse Code signal is received.
- Operating speed 5 to 50 WPM at selected speeds.
- All Solid State.

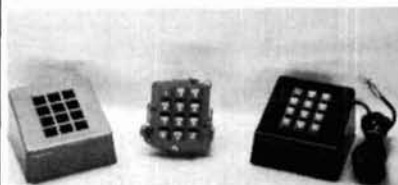
- Makes code learning faster and easier.
- A single connection to your receiver or transceiver speaker puts it into operation.
- Hard copy read-out of CW available with TU-102 TTY interface Module accessory.

Buy Factory Direct & Save! Send for Free Literature.

USE YOUR BANKAMERICARD OR MASTER CHARGE.

**ATRONICS** P.O. Box 77, Escondido, CA 92025 (714) 745-1911

12 Button touch-tone pads calibrated and guaranteed 90 days (abuse excluded) with diagram \$14.00  
Attractive plastic mounting box with brackets \$4.75  
Complete working system ready to connect to your transmitter \$24.95  
Complete working system with speaker in housing for acoustic coupling with power switch \$39.95



**TELEPHONE EQUIPMENT COMPANY**  
Post Office Box 596, Leesburg, Florida 32748  
(904) 728-2730

# KLM 2700

presents the



## A brilliant new 2 meter transceiver with every in-demand operating feature and convenience

- ★ Synthesizer and VFO.
- ★ All modes: NBFM, WBFM, AM, SSB w / USB / LSB and CW.
  - Frequency synthesizer (PLL) 3 Knob, 600 channels. 10kHz steps.
  - VXO, plus or minus 7kHz.
- ★ LED readout on synthesizer.
  - Standard 600 kHz splits plus...
  - Two "oddball" splits.
- ★ OSCAR transceive 2 to 10 meter operation.
  - OSCAR receiver built-in.
  - Connectors on rear for separate 2 meter and 10 meter antennas.
- Built-in VFO (continuous coverage, 144-148MHz in 1.3MHz segments. 1kHz readout).
- 8 pole SSB filter plus two FM filters.
- 100kHz crystal calibrator.
- Voice operated relay (VOX) or p-t-t.
- ★ Audio speech compression.
  - Noise blanker.
  - RIT, plus or minus 5kHz.
  - Power out / "S" meter.
  - FM center deviation meter.
  - 10W minimum output power. NO TUNING!
- Hi-Lo power provision.
- Built-in AC / DC power supply.
- Double conversion receiver. 16.9MHz and 455kHz I-F's.
- Receiver sensitivity:
  - FM: 0.5 $\mu$ V for 28db S / N.
  - SSB / CW: 0.25 $\mu$ V for 14db S / N.
  - AM: 2 $\mu$ V for 10db S / N.
- 50MHz or 432MHz converters will be available. Interior space and terminals are provided.
- Size: Inches: 5H, 14.88W, 12D. MM: 128H, 378W, 305D
- Weight: 28 lbs. (13KG).

At your favorite dealer. Write for catalog.

### KLM electronics, inc.

17025 Laurel Road, Morgan Hill, CA 95037 (408) 779-7363

# B. B. C.

ELECTRONICS COMPANY, INC.

"ONE OF THE FINEST NAMES IN THE INDUSTRY"

SPECIALISTS IN  
HIGH-POWER RF TRANSISTOR COMPONENTS,  
CMOS INTEGRATED CIRCUITS & ASSOCIATED COMPONENTS.

## WISHES TO ANNOUNCE

A COMPLETE LINE OF AMATEUR H.F. AND V.H.F. EQUIPMENT  
INCLUDING THE BEST NAMES IN THE BUSINESS.

LIBERAL DISCOUNTS TO LICENSED AMATEURS, HAS BEEN, AND STILL IS, OUR POLICY

— TRADE INS ACCEPTED —

FOR YOUR AMATEUR NEEDS FROM \$1 TO \$??  
WRITE OR CALL

## B. B. C.

BLUE GRASS PLAZA • 2417 WELSH ROAD • PHILA., PA. 19114

PHONE: (215) 464-1880

BULK ORDERS ACCEPTED

BIDS SUPPLIED

## COMPUTER SURPLUS



SOLID STATE POWER SUPPLY — 12 VDC @ 5 Amp output; input 115 V 60 Hz. Front panel has voltage adj., running light, reset, & fan. Size: 9 3/4 x 7 x 14 1/2". Shpg. Wt.: 35 lbs. Removed from computer. #0502655 ..... \$39.50  
Same as above - 24 V 5.5 A: #0516-332 ..... \$39.95



TRANSISTOR CONTROL ASSEMBLY — with eight NPN 100 V T0-3 and eight NPN 60 V T0-66 Transistors, associated Emitter Resistors and Diodes. 5 lbs. #345-0025575 ..... \$5.00

PRICES ARE F.O.B. - LIMA, OHIO  
Allow for Shipping Charges.



Include your interbank number, and expiration date on Credit Card Orders.  
Address: Dept. HR

**FAIR RADIO SALES**

1016 E. EUREKA • Box 1105 • LIMA, OHIO • 45802

"Right on" with Jan Crystals



for

- General Communication & Industry
- Citizen's Band (Standard & Synthesized)
- Two-Meter - Monitor - Scanners
- Marine VHF • Amateur Bands

Depend on Jan Crystals  
made in U. S. A. for

- Frequency Control • Frequency Stability
- High Performance

Send 10\* for our latest catalog  
Write or phone for more details



2400 Crystal Drive  
Ft. Myers, Florida 33901  
all phones (813) 936-2397



## Glade Valley School Radio Session

18th Year — July 30 thru August 12, 1977

Need someone to make you upgrade?  
Let us do it before the QRM does!

It's more fun our way. Instruction in theory and four code practice sessions per day. Have a "Vacation with a Purpose". Two weeks in the Blue Ridge Mountains of North Carolina. Classes at all levels and FCC exam available at close of Session.

C. L. PETERS, K4DNJ, Director  
P. O. Box 458, Glade Valley, N. C. 28627

Please send me the Booklet and Application Blank for the 1977 Glade Valley School Radio Session.

Name \_\_\_\_\_ Call \_\_\_\_\_

Address \_\_\_\_\_

City/State/Zip \_\_\_\_\_





SIX DIGIT  
12/24 HOUR  
**CLOCK KIT**  
\$22.95

MODEL DC-5

The best looking, most complete kit on the market! Features include: Time set pushbuttons, jumbo .4" readouts, Polaroid lens filter, line cord transformer, super quality PC boards and durable extruded aluminum base in 5 colors. All parts are included which make this kit the best value anywhere. Super instructions reduce assembly time to only 1-2 hours. Fully guaranteed. Colors available: gold, silver, bronze, blue and black (specify).

- MOBILE VERSION, .01% accuracy, 12VDC, DC-7 ..... \$25.95  
ALARM CLOCK, 12 HR only, DC-8 ..... \$24.95  
TIME BASE KIT, use with any 60Hz clock ..... \$ 4.95

**CALENDAR-ALARM-CLOCK**  
6 digit LED 12/24 Hour

Has every feature one could ever ask for. Kit includes everything except case, build it into wall, station or even car!

**FEATURES:**

- 6 Digits, .5" High LED
- Calendar shows mo./day
- True 24 Hour Alarm
- Battery back up with built in on chip time base
- 12/24 Hour Format
- Snooze button
- 7001 chip does all !!

Complete Kit, less case, DC-9 ..... \$34.95

**CHEAP CLOCK** \$8.95

**FEATURES:** DC-4

- 12/24 Hour format
- 6 digits, .4" high LED
- Time set buttons
- Instructions
- PC board, transformer not included

- Board, etched & drilled ..... \$2.95  
Transformer, lug type ..... \$1.49  
Transformer line cord ..... \$1.98

**30 WATT** 2 Meter Power Amp

The famous RE class C power amp now available mail order! Four Watts in for 30 Watts out, 2 in for 15 out, 1 in for 8 out. Incredible value complete with all parts, instructions and details on T R relay. Fully stable, output short proof, infinite VSWR protected! Case not included.

Complete Kit ..... \$22.95

**600 MHz PRESCALER**  
\$59.95

assembled and tested. Extend the range of your counter to 600 MHz. Works most counters. Available in kit form for \$44.95. Specify -10 or +100 with order.



**COMING SOON:**  
**VIDEO TERMINAL KIT**

SEND STAMP FOR DETAILS

\$129.95

**741 OP-AMP SPECIAL**

Factory prime mini dip with both Xerox and 741 part numbers

10 for \$2.00

**TTL    LINEAR    REGULATOR    TRANSISTORS**

74500	.35	555	.50	309K	.99	NPN 2N3904 type	10/\$1.00
745112	.75	556	.75	309H	.99	PNP 2N3906 type	10/\$1.00
7447	.79	567	1.75	340K-12	.99	NPN Power Tab 40W	3/\$1.00
7473	.35	1458	.65	7805	.99	PNP Power Tab 40W	3/\$1.00
7475	.50	LED DRIVER		7812	.99	FET MPF-102 type	3/\$2.00
7490A	.55	75491	.50	7815	.99	UJT 2N2646 type	3/\$2.00
74143	3.50	75492	.50	7818	.99	2N3055 NPN Power	.75

DIODES: 1KV, 2.5A ..... 5/\$1.00    100V, 1A ..... 10/\$1.00    1N914 type ..... 50/\$2.00

LED READOUTS: Com. Anode .5" FND 510 ..... \$1.25    Com. Cath .4" FND 359 ..... \$ .75  
Polaroid Filter, red 1.125" x 4.25" ..... \$ .59    PL-33 3 digit .1" ..... \$ .50

FERRITE BEADS with info & specs. 15/\$1.00  
6 hole/Balun Beads ..... 5/\$1.00

SLIDE POT - 10K linear ..... 4/\$1.00

1000uf 15V FILTER CAP ..... 5/\$1.00

**SOCKETS**

- 14 PIN 5/\$1.00  
16 PIN 5/\$1.00  
24 PIN 2/\$1.00  
40 PIN 3/\$2.00

**SOCKET KIT**

Assortment of 12 most used IC sockets. Good to have around the shop. \$1.95

**MINI-KITS**



**FM WIRELESS MIKE KIT**  
FM-1 \$2.95

Transmit up to 300' to any FM radio. Sensitive mike input requires dynamic, crystal or ceramic mike. Runs on 3 to 9 volts.

**STONE DECODER KIT**

A complete tone decoder on a single PC Board. Features: 400-SK11 & adjustable frequency range, voltage regulation, 567 IC. Useful for touch-tone decoding, tone burst detection, FSK demod, signaling, and many other uses. Use 7 for 12 button touchtone decoding. Runs on 5 to 12 volts.

Complete Kit, TD-1 ..... \$4.95

**LED BLINKY KIT**

A great attention getter which alternately flashes 2 jumbo LEDs. Use for name badges, buttons or warning type panel lights.

Complete Kit, BL-1 ..... \$2.95



**SUPER-SNOOP AMPLIFIER**

A super-sensitive amplifier which will pick up a pin drop at 15 feet! Great for monitoring baby's room or as a general purpose test amplifier. Full 2 watts of output, runs on 6 to 12 volts, uses any type of mike. Requires 8-45 ohm speaker.

Complete Kit, BN-9 ..... \$4.95

**MUSIC LIGHTS KIT**

See music come alive! 3 different lights flicker with music or voice. One light for lows, one for the mid-range and one for the highs. Each channel individually adjustable, and drives up to 300 watts. Great for parties, road music, nite clubs and more.

Complete Kit, ML-1 ..... \$7.95

**SIREN KIT**

Produces upward and downward wail characteristic of police siren. 200mw audio output, runs on 3-9 volts, uses 8-45 ohm speaker.

Complete Kit, SM-3 ..... \$2.95

**CODE OSCILLATOR KIT**

Powerful 1 watt audio oscillator of approx. 1 kHz, good for many uses. Great for warning alarm, battery checker, voltage indicator and code oscillator.

Complete Kit, CPO-1 ..... \$2.50

**POWER SUPPLY KIT**

Complete triple regulated power supply provides variable  $\pm 15$  volts at 200ma and +5 volts at 1 amp. 50mv load regulation good filtering and small size. Kit less transformers. Requires 6-8V at 1 amp and 18 to 30VCT.

Complete Kit, PS-3LT ..... \$6.95

**DECADE COUNTER PARTS KIT**

Includes: 7490A 33 MHz counter, 7475 latch, 7447 LED driver, LED readout, current limit resistors, hook up details and instructions on how to build an easy low cost freq. counter.

Kit of Parts, DCU-1 ..... \$3.50

**ramsey electronics**

P. O. BOX 4072 ROCHESTER, N. Y. 14610

(716) 271-6487

TELEPHONE ORDERS WELCOME



Satisfaction guaranteed or money refunded. COD, add \$1.00. Orders under \$10.00 add \$ .75. N.Y. residents add 7% tax.

# SEMICONDUCTORS & MORE!

## R.F. POWER TRANSISTORS

Type #	MHz	Vcc	Power	Case	Price
2N2857	1000	10	30mw	A	\$ .95
2N2857 JAN	1000	10	30mw	A	\$ 1.10
2N2947	50	25	15W	C	\$ 8.00
2N2950	50	25	3.5W	D	\$ 4.50
2N3291	250	10	16DB	A	\$ .85
2N3375/MM3375	100	28	11.6W	E	\$ 3.50
2N3818	150	28	20W	E	\$ 4.50
2N3866	400	28	1W	B	\$ .65
2N3866 JAN	400	28	1W	B	\$ 2.00
2N3866 JAN TX	400	28	1W	B	\$ 3.00
2N3925	175	13.6	5W	D	\$ 2.50
2N3948	200	20	1W	B	\$ 1.25
2N3950	50	28	50W	E	\$10.00
2N4072	175	13.6	.25W	A	\$ 1.00
2N4957	1200	10	17DB	A	\$ 5.00
2N5109/PT3571A	1200	15	11DB	B	\$ 1.10
2N5177/MRF5177	400	28	30W	F	\$10.00
2N5179	900	6	15DB	A	\$ .50
2N5589	175	13.6	3W	G	\$ 4.60
2N5590	175	13.6	10W	G	\$ 6.30
2N5591	175	13.6	25W	G	\$10.35
2N5637	400	28	20W	G	\$10.00
2N5862	150	27	75W	H	\$49.00
2N5942	30	28	80PEP	I	\$44.00
2N6081	175	12.5	15W	G	\$ 8.50
2N6083	175	12.5	30W	G	\$11.25
2N6084	175	12.5	40W	G	\$14.95
2N6097	175	12.5	40W	H	\$15.00
MM1500	1500	20	250mw	L	\$15.00
MM1607/2N5842	1700	4	A	A	\$ 6.00
MM4049	4000	5	A	A	\$ 7.00
MM8006	1000	6	14DB	A	\$ 1.25
PT3551C	175	12.5	15W	J	\$ 6.00

MMT-74 700MHz 12V 14DB K 3/\$1.00  
 MMT-2857 1000MHz 15V 18DB K \$1.00  
 FMT-2060 1000MHz 10V 16DB K \$1.00  
 Motorola & Fairchild Micro T RF Transistors

## TUBES

2C39	\$ 2.00
3B28	\$ 4.00
4X150G/8172	\$ 10.00
811A	\$ 6.95
832A	\$ 5.00
6146W	\$ 4.00
7289	\$ 2.50
7213	\$150.00

## SCR & TRIACS

2N4160	\$1.00
2N4170	\$1.00
2N4441	\$ .75
2N4444	\$1.00
2N5060	\$ .30
MAC21-1 25V 25A	\$1.00
MAC21-2 50V 25A	\$1.50
MAC21-3 100V 25A	\$2.00
MAC21-5 300V 25A	\$3.00
MAC21-6 400V 25A	\$3.50

## KMC RF TRANSISTORS

K6008	\$2.50 each or 5/\$10.00
450mw 3000MHz Vcc12	

## BIRD POWER SENSOR

RFL-5W & FWD-5W	\$12.00
4C5 100-250MHz	\$12.00
4D5 200-500MHz	\$12.00

Acrodyne Industries, Inc.  
 Solid State RF Power Amp  
 Model CWA-120B 145-172 MHz  
 35W output. \$35.00

## ROTRON FANS:

Feather fan model 113	\$6.00
Muffin Fan	\$4.00
Muffin Fan model 747	\$5.00
Pamotor muffin fan model 4500c (NEW)	\$6.00

## TRIAD TRANSFORMERS

F-18X 6.3VCT @ 6 amps	\$3.00
F-21A 6.3VCT @ 10 amps	\$4.95
F-22A 6.3VCT @ 20 amps	\$6.50
F-93X 6.5V-40V 750ma	\$3.00
89059 24V @ 2 amps	\$3.00

## TRANSISTORS

2N2431K	5/\$1.00	2N336 JAN	2/\$1.00
2N2907A	5/\$1.00	2N499A JAN	\$1.00
2N3250A	5/\$1.00	2N502B JAN	\$1.00
2N3567	5/\$1.00	2N619	4/\$1.00
2N3638	5/\$1.00	2N718 JAN	3/\$1.00
2N3640	5/\$1.00	2N742	3/\$1.00
2N3644	5/\$1.00	2N961	3/\$1.00
2N3702	5/\$1.00	2N964	3/\$1.00
2N3703	5/\$1.00	2N1048	\$3.00
2N4001	\$1.00	2N1142 JAN	2/\$1.00
2N4291	4/\$1.00	2N1312	4/\$1.00
2N5192	2/\$1.00	2N1381	4/\$1.00
2N5194	\$ .75	2N2060 JAN	2/\$1.00
MM3002	\$ .75	2N2060	10/\$1.00
MM4000	\$ .75	2N2494	2/\$1.00
MM4003	\$ .75	2N2904	4/\$1.00

## DIODES

1N914	30/\$1.00
1N4148	30/\$1.00
1N2061	10/\$1.00
1N2070A	8/\$1.00
1N4001	10/\$1.00
1N4002	8/\$1.00
1N4006	4/\$1.00
1N5160	\$1.00

## SILICONIX I.C.

GL158X	\$2.00
DG2008A	\$2.00

## Electrolytic Cap's

3000MFD @ 200VDC	\$2.00
1800MFD @ 25VDC	\$1.25

## I.C.'s

7401, 7402, 7408, 7420, 74H11, 74H53 @ 7/\$1.00; 74121, 74145, 74193 @ 3/\$1.00; LM3808N \$7.99; LM565CH, LM567CN @ \$2.00 each; LM380N \$1.29; NE555V \$4.40; 82S129 \$2.00; MM5203Q \$5.00; MM5262N \$2.00; TMS-2600J \$4.00; TMS4050NL-2 \$5.00; TMS4060NL \$5.00; 2102 \$7.75; 6102 \$9.00; 21L02 \$9.00; P1103 \$1.00; C8008-1 \$5.00; MC6820L \$5.00; MC6850L \$6.50; IM5623CJE \$2.00

Please add sufficient postage with all orders.  
 C.O.D. orders will be accepted if over \$5.00. All parts are prime and fully tested at the factory.

# SEMICONDUCTOR SURPLUS

3001 NORTH 32 ST., APT. 212 (602) 956-9893  
 PHOENIX, ARIZONA 85018

**Webster**  
 radio, inc.

has the words  
**QUALITY,  
 QUANTITY...**

EVERYTHING FROM A TO Z IN ELECTRONICS

## YAESU



YAESU  
 HF SSB  
 FT-101E,  
 160 thru 10M  
**\$729.**

## KENWOOD

KENWOOD  
 Transceiver  
 TS-820  
 160 thru 10M  
**\$830.**



## ICOM



ICOM  
 Transceiver  
 2M FM  
 IC 22S  
**\$299.**

CTC - UHF/VHF  
 POWER TRANSISTORS FOR AMATEUR USE  
 J101 UNDERWOOD CAPACITORS

Order Direct  
 3 E-Z Ways

1. Check or M.O. with order.
2. BankAmericard or Mastercharge.
3. C.O.D. (20% deposit, please).

Write for  
 FREE brochures  
 and particulars  
 on all models.

**Webster**  
 radio, inc.

2602 E. Ashlan, Fresno, CA 93726 / Ph. (209)224-5111

## FREQUENCY PROGRAMMER FOR THE ICOM IC-22S

## MODEL CRP-22

- EASY DIAL-UP OF ALL 133 CHANNELS COVERED BY THE IC-22S
- EASY INSTALLATION — ONLY 9 WIRES AND 20 MINUTES
- COMPLETE WITH VELCRO FOR MOUNTING TO RADIO OR DASH
- SUPPLIED WITH LOOK-UP TABLE



**\$3995**

POSTPAID IN USA  
 TEXAS RESIDENTS  
 ADD 5% SALES TAX  
 DEALER AND CLUB  
 INQUIRIES INVITED

The program frequency is controlled by switches A and B. Just set A and B per the look-up table for any channel covered by the IC-22S. Size: 2.80 x 2.00 x .60

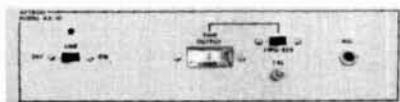
ORDER DIRECT: SEND CHECK  
 OR M.O.  
 SATISFACTION GUARANTEED

**CLENG**

**CLENG ELECTRONICS COMPANY**  
 BOX 12171 DALLAS, TEXAS 75225

## FAST SCAN AMATEUR TELEVISION EQUIPMENT

- SOLID STATE
- BROADCAST QUALITY PERFORMANCE
- FOR TECHNICAL DATA AND PRICING, WRITE TO:



AX-10 TRANSMITTER



AM-1A RCVR MODEM

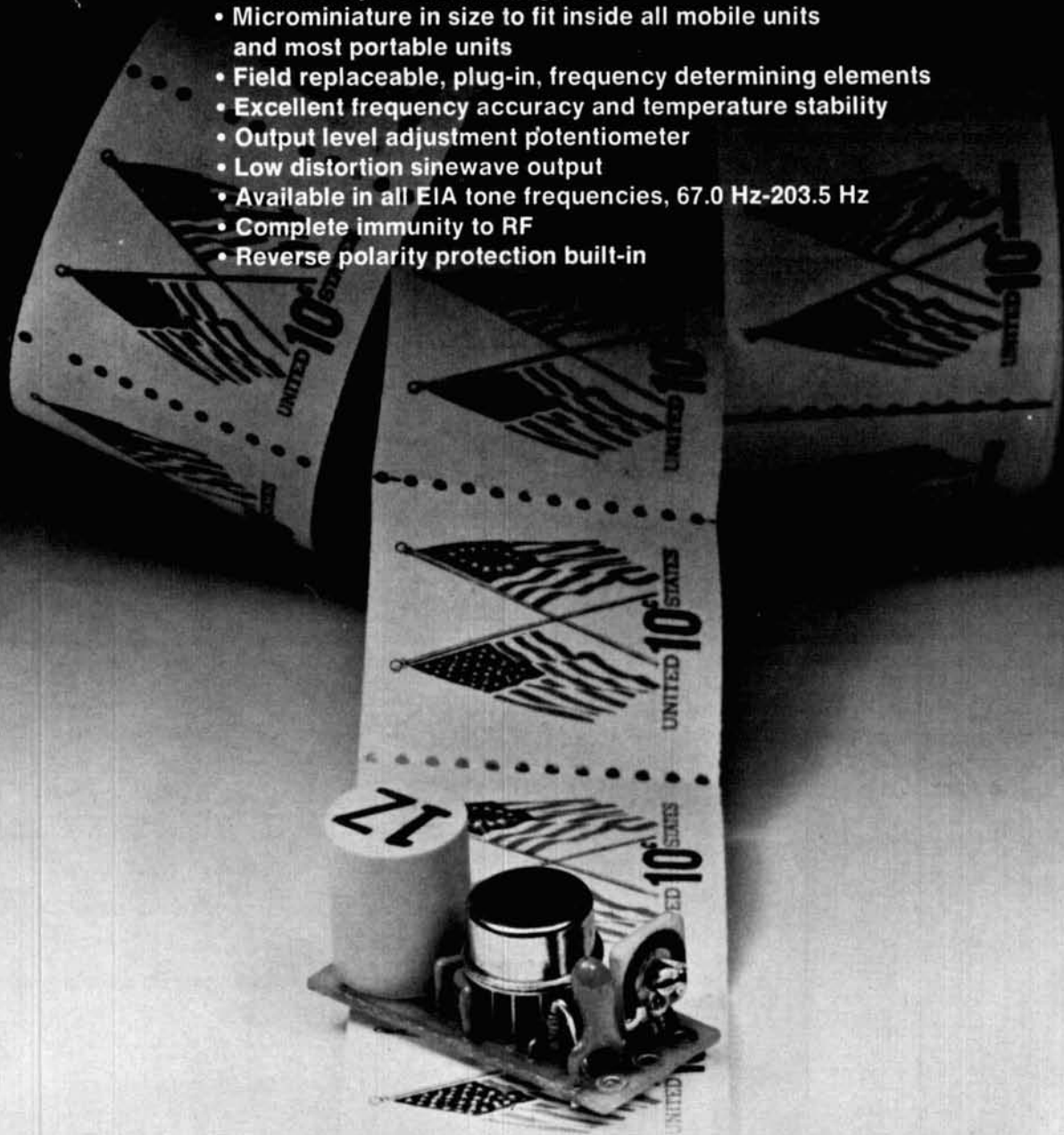
**APTRON LABORATORIES**

BOX 323, BLOOMINGTON, IN 47401

# ME-3 microminiature tone encoder

Compatible with all sub-audible tone systems such as: Private Line, Channel Guard, Quiet Channel, etc.

- Powered by 6-16vdc, unregulated
- Microminiature in size to fit inside all mobile units and most portable units
- Field replaceable, plug-in, frequency determining elements
- Excellent frequency accuracy and temperature stability
- Output level adjustment potentiometer
- Low distortion sinewave output
- Available in all EIA tone frequencies, 67.0 Hz-203.5 Hz
- Complete immunity to RF
- Reverse polarity protection built-in



**\$29.95 each**

Wired and tested, complete with K-1 element

**communications specialists**

P. O. BOX 153  
BREA, CALIFORNIA 92621  
(714) 998-3021



K-1 FIELD REPLACEABLE,  
PLUG-IN, FREQUENCY  
DETERMINING ELEMENTS

**\$3.00 each**

# Performance... your choice for under \$299\*

**Horizon "2" outclasses them all!** 25 watt output 2 Meter FM transceiver for HAM, CAP, and MARS • Full 12 channel capability • All solid state • Compact size: 6¼ x 2½ x 9 inches • Weighs less than 4 pounds • Dynamic microphone • Built-in speaker • External speaker jack for 3 watts of crisp audio • Unique quick release/locking bracket and key included.

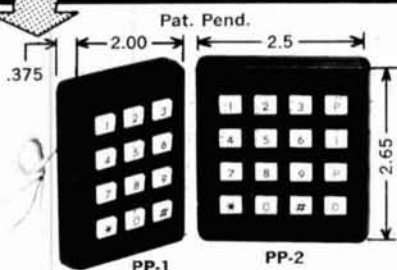
Because no two transceiver applications are exactly alike, Standard also makes the rugged 146-A. An action Handheld for 2 meter FM, the 146-A, like the Horizon "2," is also available for under \*\$299. Both of these rugged radios offer you exceptional quality and outstanding performance at a price that's right.



**Standard Communications**

Standard Communications Corp. P.O. Box 92151 • Los Angeles • Ca • 90009

## TROUBLE FREE TOUCH-TONE ENCODER



- POSITIVE TOUCH (KEYS DEPRESS)
- MOBILE • HANDHELD • DESK-MOUNT
- NO POTTED PARTS (SERVICEABLE)
- MIL. SPEC. COMPONENTS
- SELF-CONTAINED • NO RFI
- LOW DISTORTION, HI OUTPUT
- LEVEL ADJUSTMENT ACCESSIBLE FROM FRONT

Supplied with: Instructions, schematic, template, hardware. Operating voltage: 4.5-16V. PP-1=\$55.00, PP-2=\$58.00, PP-1A=\$68.00 PP-1A, designed for Standard Communications handhelds. (Calif. Res. add 6% Tax.)

Available at: NY — Harrison - 516-293-7995  
SF, Cal. — M-Tron - 415-763-6262  
Texas — The Ham Shack - 214-263-1351  
Ham Radio Center - 800-325-3636  
Spokane — HCJ Elec. - 509-924-2343

Mail Order To:

**Pipo Communications**

P. O. Box 3435 Dept. B  
Hollywood, California 90028  
(213) 852-1515

## SYNTHESIZERS

We have the worlds largest selection of synthesizers for receivers, transmitters and transceivers. For complete details see our 1/3 page ad in the April 1976 issue of this magazine or call or write for additional information. Phone orders accepted between 9 AM and 4 PM EDT. (212) 468-2720

### VANGUARD LABS

196-23 JAMAICA AVENUE  
HOLLIS, N. Y. 11423

## ETCH-IT-YOURSELF Printed Circuit Kit

**\$19.95**  
ppd.

NOW YOU CAN design and produce your own printed circuit boards.

IT'S EASY. Photo positive method. No darkroom required.

LESS THAN 2 HOURS to produce a p.c. board direct from magazine article.

KIT INCLUDES materials to make 4 p.c. boards direct from magazine article.

Add \$1 for COD. S.A.S.E. for details.

**EXCEL CIRCUITS co.**  
4412 Fernlee 313-549-0440  
Royal Oak, MI 48073

## YOUR KENWOOD HEADQUARTERS



**TS-700A**  
2M TRANSCEIVER  
FM/AM/SSB/CW  
EDI Price \$599



**TR-7400A**  
2M MOBILE XCVR  
FM, 25W, 800 Channels, Digital Readout  
EDI Price \$399

**ELECTRONIC DISTRIBUTORS, Inc.**  
Communication Specialists for over 38 years

1960 PECK ST., MUSKEGON, MICH. 49441  
TEL. (616) 726-3196 TELEX 22-8411

**DIODES/ZENERS**

1N914	100v	10mA	.05
1N4004	400v	1A	.08
1N4005	600v	1A	.08
1N4007	1000v	1A	.15
1N4148	75v	10mA	.03
1N753A	6.2v	z	.25
1N758A	10v	z	.25
1N759A	12v	z	.25
1N4733	5.1v	z	.25
1N5243	13v	z	.25
1N5244B	14v	z	.25
1N5245B	15v	z	.25

**SOCKETS/BRIDGES**

8-pin	pcb	.25	ww	.45
14-pin	pcb	.25	ww	.40
16-pin	pcb	.25	ww	.40
18-pin	pcb	.25	ww	.75
22-pin	pcb	.45	ww	.75
24-pin	pcb	.35	ww	1.25
28-pin	pcb	.35	ww	1.45
40-pin	pcb	.50	ww	1.95
Molex pins	.01	To-3 Sockets	.25	
2 Amp Bridge		100-prv	1.20	
25 Amp Bridge		200-prv	2.50	

**TRANSISTORS, LEDS, etc.**

2N2222	NPN			.10
2N2907	PNP			.15
2N3740	PNP	1A	60v	.25
2N3906	PNP			.10
2N3055	NPN	15A	60v	.50
LED Green, Red, Clear .15				
D.L. 747	7 seg 5/8" high			1.95
XAN72	7 seg com-anode			1.50
FND 359	Red	7 seg com-cathode		1.00

**C MOS**

4000	.20
4001	.20
4002	.25
4004	4.95
4006	1.20
4007	.40
4008	1.20
4009	.25
4010	.45
4011	.20
4012	.25
4013	.40
4014	1.10
4015	.95
4016	.35
4017	1.10
4018	1.10
4019	.70
4020	.85
4021	1.35
4022	1.15
4023	.25
4024	.95
4025	.35
4026	1.95
4027	.50
4028	.95
4030	.45
4033	1.95
4034	2.45
4035	1.25
4040	1.35
4042	.95
4043	1.25
4044	.95
4046	1.50
4049	.80
4050	.70
4066	1.35
4069	.40
4071	.35
4082	.45

**- T T L -**

7474	.40
7475	.45
7476	.20
7480	.65
7483	1.00
7485	1.05
7486	.40
7489	2.50
7490	.40
7491	1.15
7492	.95
7493	.45
7494	1.25
7495	.85
7496	.95
74100	1.85
74107	.45
74121	.40
74122	.55
74123	.55
74125	.45
74132	1.35
74141	1.30
74150	1.00
74151	.95
74153	.95
74154	.75
74156	1.15
74157	.75
74161	1.25
74163	1.25
74164	.95
74165	1.50
74166	1.35
74175	.95
74176	1.25
74180	.85
74181	3.25
74182	.95
74190	1.75
74192	1.65

74193	.85
74194	1.45
74195	.95
74196	1.50
74197	1.25
74198	2.35
74367	.85
75108A	.35
75110	.35
75491	.50
75492	.50
74H00	.25
74H01	.25
74H04	.25
74H05	.25
74H15	.30
74H20	.30
74H22	.40
74H30	.25
74H40	.25
74H52	.15
74H53J	.25
74H55	.25
74H72	.55
74H101	.75
74H103	.75
74H106	.95
74L00	.35
74L02	.35
74L03	.30
74L10	.35
74L30	.45
74L47	1.95
74L75	.55

74S00	.55
74S02	.55
74S03	.50
74S10	.45
74S11	.45
74S20	.50
74S40	.30
74S51	.45
74S64	.30
74S74	.50
74S112	1.50
74S133	.45
74S140	.75
74S151A	.45
74S153	.45
74S158	.45
74S194	1.50
74S257 (8123)	.25
74LS00	.45
74LS01	.45
74LS02	.45
74LS04	.55
74LS08	.45
74LS09	.45
74LS10	.45
74LS11	.45
74LS20	.50
74LS21	.25
74LS22	.25
74LS32	.55
74LS37	.40
74LS40	.55
74LS42	1.75
74LS52	1.45
74LS74	.95
74LS90	1.30
74LS93	1.00
74LS107	.95
74LS153	1.20
74LS157	.85
74LS164	1.90
74LS368	.70

**9000 SERIES**

9301	1.00
9309	.45
9602	1.50

**MEMORY, CLOCKS**

74S188 (8223)	3.00
8080	26.50
MM1702A	10.50
MM5314	3.50
MM5316	3.95
2102-1	1.75
2102-L1	1.95
TR 1602A	6.95

**LINEARS, REGULATORS, etc.**

MCT2	.95
8038	3.95
LM201AH	.75
LM301AH	.25
LM308AH	1.00
LM309H	.65
LM309K	.90
LM310	1.15
LM311	1.35

LM320K5	1.65
LM320K12	1.65
LM320T12	1.65
LM320T15	1.65
LM339	1.65
7805(340T-5)	1.00
LM340T-12	1.25
LM340T-15	1.25
LM340T-18	1.65

LM340T-24	1.25
LM340K-12	2.15
LM340K-15	1.65
LM340K-18	1.65
LM340K-24	1.25
LM373	1.95
LM380	.95
LM709	.30
LM711	.45

LM723	.45
LM725	1.95
LM739	1.50
LM741	8-14 .25
LM747	1.10
LM1307	1.25
LM1458	.95
LM3900	.65
LM75451	.65
NE555	.50
NE556	1.10
NE565	.95
NE566	1.75
NE567	1.35
SN72720	.35
SN72820	.35

**INTEGRATED CIRCUITS UNLIMITED**

7889 Clairemont Mesa Blvd. • San Diego, CA 92111 • (714) 278-4394

All orders shipped prepaid No minimum  
Open accounts invited COD orders accepted

Discounts available at OEM Quantities  
California Residents add 6% Sales Tax

24 Hour Phone (714) 278-4394

MasterCharge / BankAmericard

# HAM MART

*Ham Radio's guide to help you find your local*

## Alabama

**LONG'S ELECTRONICS**  
3521 TENTH AVE. NORTH  
BIRMINGHAM, AL 35234  
800-633-3410  
Call us Toll Free to place your order

## California

**C & A ELECTRONICS**  
2529 EAST CARSON ST.  
P. O. BOX 5232  
CARSON, CA 90745  
213-834-5868  
Not the biggest, but the best —  
since 1962.

**CARSON ELECTRONICS**  
12010 EAST CARSON ST.  
HAWAIIAN GARDENS, CA 90716  
213-421-3786  
Dealing exclusively in ICOM  
communications equipment.

**HAM RADIO OUTLET**  
999 HOWARD AVENUE  
BURLINGAME, CA 94010  
415-342-5757  
Visit our stores in Van Nuys  
and Anaheim.

**QUEMENT ELECTRONICS**  
1000 SO. BASCOM AVENUE  
SAN JOSE, CA 95128  
408-998-5900  
Serving the world's Radio Amateurs  
since 1933.

**TOWER ELECTRONICS CORP.**  
24001 ALICIA PARKWAY  
MISSION VIEJO, CA 92675  
714-768-8900  
Authorized Yaesu Sales & Service.  
Mail orders welcome.

## Colorado

**C W ELECTRONIC SALES CO.**  
1401 BLAKE ST.  
DENVER, CO 80202  
303-573-1386  
Rocky Mountain area's complete  
ham radio distributor.

## Florida

**GRICE ELECTRONICS**  
320 EAST GREGORY  
PENSACOLA, FL 32502  
904-434-2481  
Gulf Coast dealer for Atlas, Drake,  
Icom, Kenwood.

## Illinois

**ERICKSON COMMUNICATIONS, INC.**  
5935 NORTH MILWAUKEE AVE.  
CHICAGO, IL 60646  
312-631-5181  
Headquarters for all your Amateur  
Radio needs.

**KLAUS RADIO, INC.**  
8400 NORTH PIONEER PARKWAY  
PEORIA, IL 61614  
309-691-4840  
Let us quote your Amateur needs.

**SPECTRONICS, INC.**  
1009 GARFIELD STREET  
OAK PARK, IL 60304  
312-848-6777  
Chicagoland's Amateur Radio  
leader.

## Indiana

**HOOSIER ELECTRONICS**  
P. O. BOX 2001  
TERRE HAUTE, IN 47802  
812-238-1456  
Ham Headquarters of the Midwest.  
Store in Meadow Shopping Center.

## Iowa

**BOB SMITH ELECTRONICS**  
12 SOUTH 21ST STREET  
FT. DODGE, IA 50501  
515-576-3886  
For an EZ deal.

## Kansas

**ASSOCIATED RADIO**  
8012 CONSER P.O.B. 4327  
OVERLAND PARK, KS 66204  
913-381-5901  
Amateur Radio's Top Dealer.  
Buy — Sell — Trade.

## Kentucky

**COHOON AMATEUR SUPPLY**  
HIGHWAY 475  
TRENTON, KY 42286  
502-886-4535  
Ten-Tec dealer — Call 24 hours  
for best deal

## Maryland

**COMM CENTER, INC.**  
9624 FT. MEADE ROAD  
LAUREL PLAZA RT. 198  
LAUREL, MD 20810  
301-792-0600  
New & Used Amateur Equipment.  
All Inquiries Invited.

## Massachusetts

**TUFTS RADIO ELECTRONICS**  
386 MAIN STREET  
MEDFORD, MA 02155  
617-395-8280  
New England's friendliest  
ham store.

## Michigan

**RADIO SUPPLY & ENGINEERING**  
1207 WEST 14 MILE ROAD  
CLAWSON, MI 48017  
313-435-5660  
10001 Chalmers, Detroit, MI  
48213, 313-371-9050.

*Dealers - You should be here too! Contact Ham Radio today for complete details.*

# Amateur Radio Dealer

## New Hampshire

**EVANS RADIO, INC.**  
BOX 893, RT. 3A BOW JUNCTION  
CONCORD, NH 03301  
603-224-9961  
Icom & Yaesu dealer.  
We service what we sell.

## New Jersey

**ATKINSON & SMITH, INC.**  
17 LEWIS ST.  
EATONTOWN, NJ 07724  
201-542-2447  
Ham supplies since "55".

## New Mexico

**HAM EQUIPMENT CENTER**  
6344 LINN N.E.  
ALBUQUERQUE, NM 87108  
505-268-1744  
Serving New Mexico. Ten Tec  
and Tempo Equipment

## Minnesota

**ELECTRONIC CENTER, INC.**  
127 THIRD AVENUE NORTH  
MINNEAPOLIS, MN 55401  
612-371-5240  
ECI is still your best buy.

## Missouri

**MIDCOM ELECTRONICS, INC.**  
2506 SO. BRENTWOOD BLVD.  
ST. LOUIS, MO 63144  
314-961-9990  
At Midcon you can try before you  
buy!

## New York

**ADIRONDACK RADIO SUPPLY, INC.**  
185 W. MAIN STREET  
AMSTERDAM, NY 12010  
518-842-8350  
Yaesu dealer for the Northeast.

**CFP COMMUNICATIONS**  
211 NORTH MAIN STREET  
HORSEHEADS, NY 12010  
607-739-0187  
Jim Beckett, WA2KTJ, Manager  
Bryant Hozempa, WB2LVW, Sales

**GRAND CENTRAL RADIO**  
124 EAST 44 STREET  
NEW YORK, NY 10017  
212-682-3869  
Drake, Atlas, Ten-Tec, Midland,  
Hy-Gain, Mosley in stock

**HARRISON**  
"HAM HEADQUARTERS, USA"  
ROUTE 110 & SMITH STREET  
FARMINGDALE, L. I., N. Y. 11735  
516-293-7990  
Since 1925 . . . Service, Satisfaction,  
Savings. Try Us!

**RADIO WORLD**  
ONEIDA COUNTY AIRPORT  
TERMINAL BLDG.  
ORISKANY, NY 13424  
315-337-2622  
New & used ham equipment.  
See Warren Spindler, K2IXN.

## Ohio

**UNIVERSAL SERVICE**  
114 N. THIRD STREET  
COLUMBUS, OH 43215  
614-221-2335  
Give U.S. a try when ready to buy.

## Oklahoma

**RADIO STORE, INC.**  
2102 SOUTHWEST 59th ST.  
(AT 59th & S. PENNSYLVANIA)  
OKLAHOMA CITY, OK 73119  
405-682-2929  
New and used equipment —  
parts and supply.

## Pennsylvania

**ELECTRONIC EXCHANGE**  
136 N. MAIN STREET  
SOUDERTON, PA 18964  
215-723-1200  
New & Used Amateur Radio  
sales and service.

**"HAM" BUERGER, INC.**  
68 N. YORK ROAD  
WILLOW GROVE, PA 19090  
215-659-5900  
Communications specialists.  
Sales and service.

**HAMTRONICS, INC.**  
4033 BROWNSVILLE ROAD  
TREVOSE, PA 19047  
215-357-1400  
Same location for 25 years.

## Texas

**AGL ELECTRONICS**  
3068 FOREST LANE, SUITE 309  
DALLAS, TX 75234  
214-241-6414  
Having trouble finding equipment?  
Come on in today!

**HARDIN ELECTRONICS**  
5635 E. ROSEDALE  
FT. WORTH, TX 76112  
817-461-9761  
You bet Ft. Worth has a ham store!

**TECO ELECTRONICS SUPER STORE**  
1717 S. JUPITER ROAD  
GARLAND, TX 75040  
800-527-4642  
Call! Toll Free for Service Today!

## Virginia

**ARCADE ELECTRONICS**  
7048 COLUMBIA PIKE  
ANNANDALE, VA 22003  
703-256-4610  
Serving Maryland, D.C., and Virginia  
area since 1962.

## Wisconsin

**AMATEUR  
ELECTRONIC SUPPLY, INC.**  
4828 WEST FOND du LAC AVENUE  
MILWAUKEE, WI 53216  
414-442-4200  
Open Mon & Fri 9-9, Tues, Wed,  
Thurs, 9-5:30, Sat, 9-3.

## R-X NOISE BRIDGE



- ✓ Learn the truth about your antenna.
- ✓ Find its resonant frequency.
- ✓ Adjust it to your operating frequency quickly and easily.

If there is one place in your station where you cannot risk uncertain results it is in your antenna.

The Palomar Engineers R-X Noise Bridge tells you if your antenna is resonant or not and, if it is not, whether it is too long or too short. All this in one measurement reading. And it works just as well with ham-band-only receivers as with general coverage equipment because it gives perfect null readings even when the antenna is not resonant. It gives resistance and reactance readings on dipoles, inverted Vees, quads, beams, multiband trap dipoles and verticals. No station is complete without this up-to-date instrument.

Why work in the dark? Your SWR meter or your resistance noise bridge tells only half the story. Get the instrument that really works, the Palomar Engineers R-X Noise Bridge. Use it to check your antennas from 1 to 100 MHz. And use it in your shack to adjust resonant frequencies of both series and parallel tuned circuits. Works better than a dip meter and costs a lot less. Send for our free brochure.

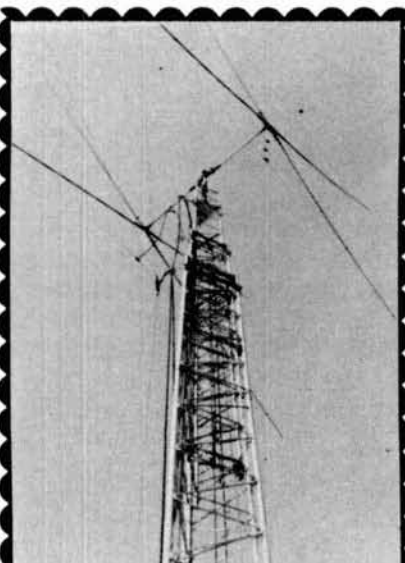
The price is \$39.95 and we deliver postpaid anywhere in U.S. and Canada. California residents add sales tax.

Italy write i2VTT, P.O. Box 37, 22063 Cantu. Elsewhere send \$42.00 (U.S.) for air parcel post delivery worldwide.

Fully guaranteed by the originator of the R-X Noise Bridge. ORDER YOURS NOW!

### PALOMAR ENGINEERS

BOX 455, ESCONDIDO, CA 92025  
Phone: (714) 747-3343



## The popular CUA 64-12 by Heights

Light,  
permanently  
beautiful  
**ALUMINUM**  
towers

**THE MOST IMPORTANT  
FEATURE OF  
YOUR ANTENNA  
IS PUTTING  
IT UP WHERE  
IT CAN DO  
WHAT YOU EXPECT.  
RELIABLE DX —  
SIGNALS EARLIEST IN  
AND LAST OUT.**

### ALUMINUM

Complete Telescoping  
and Fold-Over  
Series available  
Self-Supporting  
Easy to Assemble  
and Erect  
All towers mounted  
on hinged bases

And now, with motorized options, you can crank it up or down, or fold it over, from the operating position in the house.

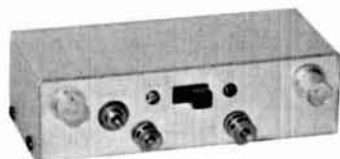
Write for 12 page brochure giving dozens of combinations of height, weight and wind load.

**ALSO TOWERS FOR WINDMILLS**

## HEIGHTS MANUFACTURING CO.

In Almont Heights Industrial Park  
Almont, Michigan 48003

## PRE-AMP



### HIGH GAIN • LOW NOISE

35dB power gain, 2.5-3.0 dB N.F. at 150 MHz 2 stage, R.F. protected, dual-gate MOSFETS. Manual gain control and provision for AGC. 4 3/8" x 1 7/8" x 1 3/8" aluminum case with power switch and choice of BNC or RCA phono connectors (be sure to specify). Available factory tuned to the frequency of your choice from 5 MHz to 250 MHz with approximately 3% bandwidth. Up to 10% B.W. available on special order.

N. Y. State residents add sales tax.

Model 201 price: 5-250 MHz \$29.95

## Vanguard Labs

196-23 JAMAICA AVE.  
HOLLIS, N. Y. 11423



### CURTIS KEYSER CHIP \$24.95

8043: IC only, 50-up group rate ..... \$ 7.95  
8043-1: IC, PCB, Manual ..... \$ 24.95  
8043-2: Semi-kit ..... \$ 49.95  
Add for air postage and handling ... \$ 1.50  
(See Feb 75 CQ, Apr 75 HR, Feb 76 QST, Radio Handbook 75)  
KB4200 Keyboard Keyer (Oct 74 QST) ... \$549.95  
EK420/KM420 Keyer/Memory (Oct 73 QST) \$439.90  
EK430 CMOS Keyer (Feb 76 QST) ..... \$124.95  
IK440 Instructokeyer (Mar 76 QST) ..... \$224.95

Curtis Electro Devices Inc.  
(415) 964 3136  
Box 4090, Mountain View, CA 94040



## COLLINS & MORE

Collins 51S1 Receiver	\$1295.00
Collins 30S1 Linear Amp	\$1995.00
Collins 75S3B, Exc. cond.	\$925.00
Collins 312B4, Exc. cond.	\$235.00
Collins 312B5, Exc. cond.	\$495.00
Collins CP-1, crystal Pack	\$250.00
Collins 51J4, with cab.	\$645.00
Heath SB200 Linear Amp., mint	\$295.00
Heath SB303 Ham rcvr., mint	\$365.00
Heath SB401 Ham transcvr., mint	\$365.00

We stock good, used equipment from Collins, Drake, Heath and other manufacturers. Hundreds of test items also available. Call for specific requirements, or write for free catalog.

### DAMES COMMUNICATION SYSTEMS

201-998-4256  
10 SCHUYLER AVENUE  
NORTH ARLINGTON, N. J. 07032



# SPECIALS FROM **MHz** electronics

## Fairchild VHF Prescaler Chips

11C01FC	High Speed Dual 5-4 Input no/nor	15.40
11C05DC	1 GHz Counter Divide by 4	74.35
11C05DM	1 GHz Counter Divide by 4	110.50
11C06DC	UHF Prescaler 750 MHz D Type flip/flop	12.30
11C24DC	Dual TTL VCM same as MC4024P	2.60
11C44DC	Phase Freq. Detector same as MC4044P	2.60
11C58DC	ECL VCM	4.53
11C70DC	600 MHz flip/flop with reset	12.30
11C83DC	1 GHz 248/256 Prescaler	29.20
11C90DC	650 MHz Prescaler Divide by 10/11	16.00
11C90DM	same as above except Mil. version	24.00
11C91DC	605 MHz Prescaler Divide by 5/6	16.00
11C91DM	same as above except Mil. version	24.00
95H90DC	350 MHz Prescaler Divide by 10/11	9.50
95H90DM	same as above except Mil. version	16.50
95H91DC	350 MHz Prescaler Divide by 5/6	9.50
95H91DM	same as above except Mil. version	16.50

T.I. TMS4060/AC2107, 4K RAM 19.01

## Batteries

NI-CAD's AA cells 1.25 volts at 500 mahr.	\$0.49
Gel-Cell 12 volts at 1.5 Amp Hr. #GC-1215	\$19.95

## Crystals

1.000000 MHz	4.95	JUST ARRIVED! These radios have just been pulled out of service. Set up for approx. 150 MHz. Clean. All tubes included. No accessories. Prices FOB Phoenix.
5.000000 MHz	4.95	
3579.545 KC	2.95	

Motorola U43 GGT	\$49.95
GE TP1	\$99.95
GE MT-33	\$39.95
Collins 26U	\$150.00
CBS Labs Model III's, AUDIMAX	\$775.00
CBS Labs 450	\$375.00

## NEW

Motorola, Motorcycle Radio — Model T33BAT \$39.95 FOB Phoenix

**Motorola MC14410CP CMOS tone Generator** uses 1 MHz Crystal to produce standard dual frequency telephone dialing signal. Directly compatible with our 12 key Chomeric pads. Kit includes the following.

1 MC14410CP	
1 Touch Tone Pad	
1 1 MHz Crystal	
1 Printed Circuit Board (From Ham Radio Sept. 1975)	

And all other parts for assembly. **\$19.95**

**Fairchild 95H90DC Prescaler** divide by 10 to 350 MHz. Will take any 35 MHz Counter to 350 MHz. Kit includes the following.

1 95H90DC	
1 2N5179	
2 UG-88/u BNC's	
1 Printed Circuit Board	

And all other parts for assembly. **\$29.95**

**Fairchild 11C90DC Prescaler** divide by 10 to 650 MHz. Will take any 65 MHz Counter to 650 MHz or with a 82590 it will divide by 10/100 to 650 MHz. This will take a 6.5 MHz counter to 650 MHz. Kit includes the following.

1 11C90DC	
1 2N5179	
2 UG-88/u	
1 MC7805CP	
1 Bridge	

1 Printed Circuit Board and all other parts for assembly. 82590 add \$5.70 to total. **\$59.95**

**Fairchild 3817 Clock Kit** from Ham Radio, Feb. 1976, Pg. 26 — All parts included except transformer and case. 12 hour \$24.95 24 hour \$29.95

## I.C.'s

8223B	\$3.00	MuRata 10.7 MHz Ceramic Filters	
2102	\$1.99	#SFW-10.7MA	\$3.95

## Johanson and Johnson

Trimmer Capacitors		Ferrite Beads	
1 to 14 pf.	\$1.95	12 for .99 or	120 for 9.99
1 to 20 pf.	\$1.95		

## FET'S

2N3070	1.50	2N5460	.90	MFE3002	3.35
2N3436	2.25	2N5465	1.35	MFP102	.45
2N3458	1.30	2N5565	5.45	MFP121	1.50
2N3821	1.60	3N126	3.00	MFP4391	.80
2N3822	1.50	MFE2000	.90	U1282	2.50
2N4351	2.85	MFE2001	1.00	MMF5	5.00
2N4416	1.05	MFE2008	4.20	40673	1.39
2N4875	1.75	MFE2009	4.80	40674	1.49

## TUBES

2E26	5.00	811	6.95	7984	4.95
3B28	4.00	811A	9.95	8072	32.00
4X150A	15.00	931A	11.95	8156	3.95
4X150G	18.00	5849	32.00	8908	9.95
4CX250B	24.00	6LQ6	4.50	8950	5.50
4CX350A/8321	35.00	6146A	5.25	4-400A	29.95
4CX1500A	150.00	6146B/8298A	6.25	4-250A	24.95
DX415	25.00	6360	7.95	4-125A	20.95
572B/T160L	25.00	6907	35.00	4-65A	15.95
		7377	40.00		

## RF TRANSISTORS

2N1561	15.00	2N3866 JAN TX	4.85	2N5591	10.35
2N1562	15.00	2N3925	6.00	2N5635	4.95
2N1692	15.00	2N3927	11.50	2N5636	11.95
2N1693	15.00	2N3948	2.00	2N5637	20.70
2N2631	4.20	2N3950	26.25	2N5643	20.70
2N2857	1.80	2N3961	6.60	2N5641	4.90
2N2876	12.35	2N4072	1.70	2N5643	20.70
2N2880	25.00	2N4073	2.00	2N5764	27.00
2N2927	7.00	2N4135	2.00	2N5841	11.00
2N2947	17.25	2N4427	1.24	2N5842/MM1607	19.50
2N2948	15.50	2N4430	20.00	2N5849/MM1622	19.50
2N2949	3.90	2N4440	8.60	2N5862	50.00
2N2950	5.00	2N4957	6.30	2N5942	49.50
2N3287	4.30	2N5070	13.80	2N5922	10.00
2N3300	1.05	2N5090	6.90	2N6080	5.45
2N3302	1.05	2N5108	3.90	2N6081	8.60
2N3307	10.50	2N5109	1.55	2N6082	11.25
2N3309	3.90	2N5177/MRF5177	20.00	2N6083	12.95
2N3375/MM3375	7.00	2N5179	.68	2N6084	14.95
2N3553	1.80	2N5184		2N6094	5.75
2N3571	4.10	2N5216	47.50	2N6095	10.35
2N3818	6.00	2N5583	5.60	2N6096	19.35
2N3824	3.20	2N5589	4.60	2N6097	28.00
2N3866	1.09	2N5590	6.30	2N6166	36.80
2N3866 JAN	4.14				

## TRANSFORMERS

F-18X	6.3vct at 6 amps	3.56
F-93X	6.5v to 40v at 750 ma.	3.53
F-92A	6.5v to 40v at 1 amp	4.59
F-91X	6.5v to 40v at 300 ma.	2.72
N-51X	Isolation 115vac at 35va.	2.80
Model D-2	6.5v at 3.3 amps	4.95
	6.5v at 3.3 amps	
C-912-034	22vct at 200 ma.	
	11v at 250 ma.	1.49
BE-12433-001	30v at 15 ma.	.49
C-404-024	18vct at 400 ma.	1.49
BGH-9	6.3vct at 10 amps.	6.95
F-107Z	12V @ 4A or 24 V @ 2A	7.80
P6377	12v @ 4a or 24v @ 2a	6.31
P6378	12v @ 8a or 24v @ 4a	10.31
P8196	80vct @ 1.2a	6.28

## Erie High Voltage Power Supply

TSK-209-000  
Input 24vdc  
output #1 100 vdc — 12.95  
#2 400 vdc +  
#3 15000 vdc  
Size: 3 1/2" x 2" x 2 3/4"  
This power supply was used in a CRT Terminals

## DIODES

1N270 Germanium Diodes	\$7.95/c
HEP170, 2.5A, 1000 PIV	\$4.95/20
Semtech SFMS 20K, 20KV, 10 ma, fast recovery	\$1.26 ea.

## FANS

Pamotor Fans, Model 4500C 117 VAC, 60 Hz, 19 w. **\$7.95**

## RF TRANSISTORS

MRF207	2.00	Amperex BLY90	22.50	MM3375	7.00
MRF208	10.20	Amperex A209	8.60	MM3904	1.50
MRF209	12.35	MSC 2001	20.00	MM3906	1.43
MRF237	1.85	MSC 3000	20.00	MM4000	1.24
MRF238	8.55	MSC 3001	20.00	MM4001	1.39
MRF450	16.55	MSC 80205	20.00	MM4003	1.85
MRF453	19.55	MSC 80206	20.00	MM4036	1.60
MRF504	6.75	MSC 80255	20.00	MM4044	3.00
MRF509	5.50	Fairchild SE7056	3.00	MM4545	3.00
MRF511	8.60	MM1051	2.00	MM8006	2.15
MRF620	27.00	MM1500	32.20	MM1552	50.00
MRF8004	1.90	MM1550	10.00	MM1553	56.50
HEPS3013/75	2.95	MM1601	5.50	HEPS5026	2.48
HEPS3014/76	4.95	MM1602	7.50	MSC 80256	20.00
HEPS3002	11.03	MM1607/2N5842	8.65	CTC D1-28	20.00
HEPS3003	29.88	MM1614	2.75	CTC D10-28	20.00
HEPS3005	9.55	MM1620	17.50	CTC E1-28	20.00
HEPS3006	19.90	MM1622/2N5849	19.50		
HEPS3007	24.95	MM1661	15.00		
HEPS3008	2.18	MM1669	17.50		
HEPS3010	11.34	MM1943	3.00		
RCA TA7994	50.00	MM2605	3.00		
RCA 40290	2.48	MM2608	5.00		
Kertron K2126	5.50	MM3002	1.65		
Kertron KB6008	5.50	MM3009	1.80		

**MHz** electronics

2543 N. 32nd STREET  
PHOENIX, ARIZONA 85008  
PH. 602-957-0786



NO C.O.D.

# NEW! IC KEYER

The World's Greatest  
Sending Device



Adjustable to Any  
Desired Speed

Now available from Palomar Engineers — the new Electronic IC KEYER. Highly prized by professional operators because it is **EASIER, QUICKER, and MORE ACCURATE.**

It transmits with amazing ease **CLEAR, CLEAN-CUT** signals at any desired speed. Saves the arm. Prevents cramp, and enables anyone to send with the skill of an expert.

**SPECIAL  
RADIO MODEL**

Equipped with large specially constructed contact points. Keys any amateur transmitter with ease. Sends Manual, Semi-Automatic, Full Automatic, Dot Memory, Squeeze, and Iambic — **MORE FEATURES** than any other keyer. Has built-in sidetone, speaker, speed and volume controls, **BATTERY OPERATED**, heavy shielded die-cast metal case. **FULLY ADJUSTABLE** contact spacing and paddle tension. The perfect paddle touch will **AMAZE** you.

Every amateur and licensed operator should know how to send with the IC KEYER. **EASY TO LEARN.** Sent anywhere on receipt of price. Free brochure sent on request.

Send check or money order. IC KEYER \$97.50 postpaid in U.S. and Canada. IC KEYER LESS PADDLE and non-skid base \$67.50. Add 6% sales tax in California.

Italy write i2VTT, P.O. Box 37, 22063 Cantu.

Fully guaranteed by the world's oldest manufacturer of electronic keys. **ORDER YOURS NOW!**

## PALOMAR ENGINEERS

BOX 455, ESCONDIDO, CA 92025

Phone: (714) 747-3343

# NOW . . . Yaesu AND Drake



FT-101E TRANSCEIVER



TR-4C TRANSCEIVER

**ORDER  
TODAY!**  
  
**Write  
or  
Call**

Mail Orders accepted. N. Y. residents add sales tax. See us for all your Amateur Radio needs. SASE will get our list of used Amateur Equipment.

**WANTED: GOOD  
CLEAN TRADES!**

## C F P COMMUNICATIONS

WA2KTJ  
WB2LWV

211 NORTH MAIN STREET  
HORSEHEADS, N. Y. 14845  
PHONE: 607-739-0187

**Store Hours**  
Tues. to Sat.  
10-6 p.m.

Fri. & Sat. subject to  
Hamfest weekends  
Closed Sun. & Mon.

## PREVENT THEFT



Gutter mount Antenna System has quick disconnect 1/4 wave element to resist theft. Resilient, vinyl-clad element and stressed aluminum mount to resist weathering. Available for 146 or 220 MHz. Elements are interchangeable.

**VERY POPULAR AT  
HAMFESTS!**

GUTTER MOUNT® PLUS ELEMENT		ELEMENT ONLY	
FM-146	.....\$15.95	FME-146	.....\$4.95
FM-220	.....\$15.95	FME-220	.....\$4.95

\*Includes 10 feet of low loss RG-58 coax.  
Prices include postage in continental U.S.A.  
Penn. residents: Add 6% Sales Tax.

### HamLine Electronics

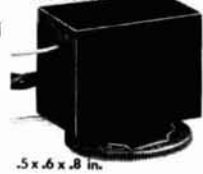
Box 52, Sweet Valley, Pennsylvania 18656

## SUB-AUDIBLE GENERATOR for FM

- Inexpensive multi tone encoder
- Compatible with PL-CG-QC
- Low distortion sinewave
- Input 8-18 VDC unregulated
- Rugged, plastic encased with leads
- Adjustable frequency (98-250 Hz), Lower available
- Excellent stability

Send for more info

THE CUBE



.5 x .6 x .8 in.

Price \$19.95

Freq. set at  
factory  
\$5.00 extra

Calif. res. add 6%

lyle  
Products

Dept. 47 P.O. Box 2083 Santa Clara, CA 95051

## TRAGIC WASTE OF RF

could be your fate as precious watts zig-zag round the world to shower just a little — or little or none — on that hoped for DX station. BUT WE HAVE AN ALTERNATIVE — THE JOYSTICK VFA (Variable freq. ant.), which gives low angle, omnidirectional, harmonic free radiation on all bands 160 thru 10 (+ MARS and receive on all BC & SW). Stalwarts W6TYP and G4DJY achieved notable results in contests — just to mention two of the many who have sent glowing reports of the VFA in use, often in poor QTH and/or under QRP.

**SYSTEM 'A' \$69.90** 250W P.E.P. &/or Receiving Only  
**SYSTEM 'J' \$91.33** 500W P.E.P. &/or Improved Q Factor Receive

Air Mail cost included  
(each system 3 sections easily assembled to make unit 7' 6" long. Matching ATU.) Not only will you save space but you will save \$\$\$ at present low exch. rate and by buying direct UK manuf. Rush your order — Mastercharge or check, or ask for brochure.

### PARTRIDGE (HR) ELECTRONICS LTD.

BROADSTAIRS, KENT, ENGLAND  
G3CED TEL. THANET 62525 G3VFA

## NEW ELECTRONIC PARTS

Resistors Meters LED Displays Fuses  
Capacitors Switches Proto Boards IC sockets  
Diodes Dozy Boxes Mod-U-Line Test Clips  
Trim pots Transistors Hardware And much more  
SASE brings our new parts catalog.

### NuData Electronics

104 N. EMERSON ST. MOUNT PROSPECT, ILLINOIS 60056

## MILITARY SURPLUS WANTED

Space buys more and pays more. Highest prices ever on U.S. Military surplus, especially on Collins equipment or parts. We pay freight. Call collect now for our high offer. 201 440-8787.

**SPACE ELECTRONICS CO.**  
div. of Military Electronics Corp.  
35 Ruta Court, S. Hackensack, N.J. 07606

Iron Powder and Ferrite

## TOROIDAL CORES

Wide selection - Large stock  
Fast, one-day service  
Technical data with each order  
Write for free Tech-Data-Flyer

### AMIDON Associates

12033 Otsego Street, North Hollywood, Calif. 91607

In Germany: Elektronikladen, Wilhelm - Mellies Str. 88  
4930 Detmold 18, West Germany.



# 7400N TTL

SN7400N	16	SN7400N	25	SN74154N	1.00
SN7401N	16	SN7401N	22	SN74155N	1.00
SN7402N	21	SN7402N	39	SN74156N	0.99
SN7403N	16	SN7403N	37	SN74157N	0.99
SN7404N	18	SN7404N	32	SN74158N	1.25
SN7405N	20	SN7405N	50	SN74161N	0.99
SN7406N	29	SN7406N	39	SN74162N	0.99
SN7407N	25	SN7407N	5.00	SN74164N	1.10
SN7408N	25	SN7408N	50	SN74165N	1.10
SN7409N	25	SN7409N	98	SN74166N	1.25
SN7410N	18	SN7410N	99	SN74167N	1.25
SN7411N	30	SN7411N	89	SN74170N	2.10
SN7412N	29	SN7412N	39	SN74171N	1.95
SN7413N	45	SN7413N	3.50	SN74172N	0.99
SN7414N	70	SN7414N	2.40	SN74173N	1.00
SN7415N	35	SN7415N	75	SN74174N	1.25
SN7417N	21	SN7417N	49	SN74175N	0.99
SN7420N	33	SN7420N	49	SN74176N	90
SN7421N	49	SN7421N	49	SN74177N	90
SN7422N	37	SN7422N	79	SN74178N	2.49
SN7423N	29	SN7423N	89	SN74179N	2.95
SN7424N	29	SN7424N	89	SN74180N	95
SN7425N	29	SN7425N	89	SN74181N	95
SN7426N	29	SN7426N	89	SN74182N	95
SN7427N	27	SN7427N	39	SN74183N	1.15
SN7428N	27	SN7428N	39	SN74184N	1.15
SN7429N	27	SN7429N	39	SN74185N	1.15
SN7430N	27	SN7430N	39	SN74186N	1.15
SN7431N	27	SN7431N	39	SN74187N	1.15
SN7432N	27	SN7432N	39	SN74188N	1.15
SN7433N	27	SN7433N	39	SN74189N	1.15
SN7434N	27	SN7434N	39	SN74190N	1.15
SN7435N	27	SN7435N	39	SN74191N	1.15
SN7436N	27	SN7436N	39	SN74192N	1.15
SN7437N	27	SN7437N	39	SN74193N	1.15
SN7438N	27	SN7438N	39	SN74194N	1.15
SN7439N	27	SN7439N	39	SN74195N	1.15
SN7440N	27	SN7440N	39	SN74196N	1.15
SN7441N	27	SN7441N	39	SN74197N	1.15
SN7442N	27	SN7442N	39	SN74198N	1.15
SN7443N	27	SN7443N	39	SN74199N	1.15
SN7444N	27	SN7444N	39	SN74200N	1.15
SN7445N	27	SN7445N	39	SN74201N	1.15
SN7446N	27	SN7446N	39	SN74202N	1.15
SN7447N	27	SN7447N	39	SN74203N	1.15
SN7448N	27	SN7448N	39	SN74204N	1.15
SN7449N	27	SN7449N	39	SN74205N	1.15
SN7450N	27	SN7450N	39	SN74206N	1.15
SN7451N	27	SN7451N	39	SN74207N	1.15
SN7452N	27	SN7452N	39	SN74208N	1.15
SN7453N	27	SN7453N	39	SN74209N	1.15
SN7454N	27	SN7454N	39	SN74210N	1.15

Many Others Available on Request  
20% Discount for 100 Combined 7400's

### CMOS

CD4000	25	CD4001	25
CD4002	25	CD4003	25
CD4006	25	CD4007	25
CD4008	25	CD4009	25
CD4010	25	CD4011	25
CD4012	25	CD4013	25
CD4014	25	CD4015	25
CD4016	25	CD4017	25
CD4018	25	CD4019	25
CD4020	25	CD4021	25
CD4022	25	CD4023	25
CD4024	25	CD4025	25
CD4027	25	CD4028	25
CD4029	25	CD4030	25

### LINEAR

LM300H	65	LM300N	35
LM301N	35	LM302N	35
LM303N	35	LM304N	35
LM305N	35	LM307N	35
LM308N	35	LM309N	35
LM310N	35	LM311N	35
LM312N	35	LM313N	35
LM314N	35	LM315N	35
LM316N	35	LM317N	35
LM318N	35	LM319N	35
LM320N	35	LM321N	35
LM322N	35	LM323N	35
LM324N	35	LM325N	35
LM326N	35	LM327N	35
LM328N	35	LM329N	35
LM330N	35	LM331N	35
LM332N	35	LM333N	35
LM334N	35	LM335N	35
LM336N	35	LM337N	35
LM338N	35	LM339N	35
LM340N	35	LM341N	35
LM342N	35	LM343N	35
LM344N	35	LM345N	35
LM346N	35	LM347N	35
LM348N	35	LM349N	35
LM350N	35	LM351N	35
LM352N	35	LM353N	35
LM354N	35	LM355N	35
LM356N	35	LM357N	35
LM358N	35	LM359N	35
LM360N	35	LM361N	35
LM362N	35	LM363N	35
LM364N	35	LM365N	35
LM366N	35	LM367N	35
LM368N	35	LM369N	35
LM370N	35	LM371N	35
LM372N	35	LM373N	35
LM374N	35	LM375N	35
LM376N	35	LM377N	35
LM378N	35	LM379N	35
LM380N	35	LM381N	35
LM382N	35	LM383N	35
LM384N	35	LM385N	35
LM386N	35	LM387N	35
LM388N	35	LM389N	35
LM390N	35	LM391N	35
LM392N	35	LM393N	35
LM394N	35	LM395N	35
LM396N	35	LM397N	35
LM398N	35	LM399N	35
LM400N	35	LM401N	35

### IC SOLDERTAIL - LOW PROFILE (TIN) SOCKETS

8 pin	1-24	25-49	50-100	1-24	25-49	50-100
14 pin	20	19	18	24 pin	30	31
16 pin	27	21	20	28 pin	43	44
18 pin	29	28	27	36 pin	60	59
22 pin	31	30	29	40 pin	63	62

### PLASTIC PUSH BUTTON SWITCH

1/8 AWG Solid Wire - 5" Long  
50 (wide) X .60 (high) X .27 Thread  
8 AMP @ 14 Volt - 1 AMP @ 110 Volt

J-188-1 Push On-Push Off  
J-188-2 Normally Open  
J-188-3 Normally Closed

### MINIATURE TOGGLE SWITCH

JMT-221 DPDT on/off/on \$1.95  
JMT-223 DPDT on/none/on \$1.75  
JMT-121 SPDT on/off/on \$1.50  
JMT-123 SPDT on/none/on \$1.25

# FAIRCHILD TECHNOLOGY KITS

Complete Specifications on back of each kit  
Packaged for WALL DISPLAY APPEARANCE  
Dealer's Inquires Invited — Price List Available

## 7205 - Stop Watch Chip \$19.95

### DIGITS

FTX0001	0.5" High Common Cathode Digit	\$1.00
FTX0002	0.5" High Common Anode Digit	1.00
FTX0003	3.5" High Common Cathode Digit	7.5
FTX0004	0.8" High Common Cathode Digit	2.00
FTX0005	0.8" High Common Anode Digit	2.00

### 8 1/2" HIGH DISPLAY ARRAYS

FTX0010	12 Hour 1/2 Digit Clock Display	7.00
FTX0011	24 Hour 4 Digit Clock Display	8.00

### LED LAMPS

FTX0020	10 Red LED Lamps	1.00
FTX0021	5 Mixed Colored LED Lamps	1.00
FTX0022	10 LED Mounting Clips	1.00
FTX0023	5 Three Piece LED Mounting Adapters	1.00

### PHOTO ARRAYS

FTX0040	9-Element Tape Reader Array	16.00
FTX0041	12-Element Card Reader Array	24.00
FTX0042	Reflective Opto Coupler	4.00

### COUPLERS

FTX0050	3 General Purpose Opto Couplers	1.00
FTX0051	Darlington Opto Coupler	1.00

### MOS LOGIC CIRCUITS

FTX0400	Digital Clock/Calendar Circuit (ICM7001)	7.00
FTX0402	Digital Clock/Calendar with BCD Outputs (ICM7002)	7.00
FTX0403	Direct Drive Digital Clock Circuit with AC Output (ICM3017A)	5.00
FTX0403	Direct Drive Digital Clock Circuit with AC Output (ICM3017D)	5.00
FTX0405	Direct Drive Digital Clock/Calendar Circuit (ICM7015)	6.00

### KITS

FTX0106	Automobile Clock Kit	40.00
---------	----------------------	-------

### DISCRETE LEADS

KC209	Red	10/51	KC556	Red	10/51
KC209	Green	4/51	KC556	Green	4/51
KC209	Orange	4/51	KC556	Yellow	4/51
			KC556	Orange	4/51
			KC556	Clear	4/51

SPECIAL \* - XC556 Red 100/\$8.00 1000/\$60.00 - SPECIAL \*

### DISPLAY LEADS

MAN 1	Common Anode	370	2.90	MAN 3630	Common Anode orange	300	1.75
MAN 2	5 1/2 Ohm Matrix	300	4.95	MAN 3640	Common Cathode orange	300	1.75
MAN 3	Common Cathode	175	3.90	MAN 4710	Common Anode red	400	1.95
MAN 4	Common Cathode	187	1.90	DI 701	Common Anode red	300	9.90
MAN 7	Common Anode	300	1.25	DI 704	Common Cathode	300	9.90
MAN 7V	Common Anode yellow	300	1.90	DI 705	Common Anode	300	9.90
MAN 8	Common Anode green	300	1.75	DI 728	Common Cathode	300	1.95
MAN 8V	Common Anode red	300	1.75	DI 747	Common Anode	600	2.25
MAN 9	Common Anode red	300	1.75	DI 750	Common Cathode	600	2.49
MAN 10	Common Anode green	300	1.75	DI 758	Common Cathode	110	50.00
MAN 11	Common Cathode	300	1.75	FN 010	Common Cathode	250	7.5
MAN 12	Common Cathode	300	1.75	FN 015	Common Cathode	500	1.00
MAN 13	Common Anode yellow	300	1.75	FN 027	Common Anode	500	1.00
MAN 14	Common Cathode	300	1.75	FN 057	Common Anode	500	1.00

### WIRE WRAP SOCKETS (GOLD) LEVEL #3

24 pin	3.00	35	36	24 pin	1.00	90	81
28 pin	1.10	1.00	90	36 pin	1.75	1.40	1.26
40 pin	1.50	1.45	1.30	40 pin	1.75	1.58	1.45

### SCR AND FW BRIDGE RECTIFIERS

C360	15A @ 400V	SCR	\$1.95
C38M	35A @ 200V	SCR	1.95
22K32B	1.6A @ 200V	SCR	.50
MDA 980-1	12A @ 30V	FW BRIDGE REC.	1.95
MDA 980-2	12A @ 30V	FW BRIDGE REC.	1.95

### CLIPLITE NEW LED MOUNTING SYSTEM

with XC556 LEADS — SPECIFY COLORS — 8/\$1.49  
\*SPECIAL\* RED — GREEN — AMBER — YELLOW

### 50 PCS. RESISTOR ASSORTMENTS \$1.75 PER ASST.

ASST. 1	10 Ohm	12 Ohm	15 Ohm	18 Ohm	22 Ohm	27 Ohm	33 Ohm	39 Ohm	47 Ohm	56 Ohm	1/4 WATT 5% - 50 PCS.
ASST. 2	68 Ohm	82 Ohm	100 Ohm	120 Ohm	150 Ohm	180 Ohm	220 Ohm	270 Ohm	330 Ohm	390 Ohm	1/4 WATT 5% - 50 PCS.
ASST. 3	470 Ohm	560 Ohm	680 Ohm	820 Ohm	1K	1.2K	1.5K	1.8K	2.2K	2.7K	1/4 WATT 5% - 50 PCS.
ASST. 4	3.3K	3.9K	4.7K	5.6K	6.8K	8.2K	10K	12K	15K	18K	1/4 WATT 5% - 50 PCS.
ASST. 5	22K	27K	33K	39K	47K	56K	68K	82K	100K	120K	1/4 WATT 5% - 50 PCS.
ASST. 6	150K	180K	220K	270K	330K	390K	470K	560K	680K	820K	1/4 WATT 5% - 50 PCS.
ASST. 7	1M	1.2M	1.5M	1.8M	2.2M	2.7M	3.3M	3.9M	4.7M	5.6M	1/4 WATT 5% - 50 PCS.

### ASST. 8R Includes Resistor Assortments 1-7 (350 PCS.) \$1.95 ea.

\$5.00 Minimum Order — U.S. Funds Only  
California Residents — Add 6% Sales Tax  
Spec Sheets - 25¢ — Send 24¢ Stamp for 1977 Catalog  
Dealer Discount Available — Request Pricing

# James ELECTRONICS

1021-A HOWARD AVE., SAN CARLOS, CA. 94070  
PHONE ORDERS PLEASE — (415) 592-8097  
All Advertised Prices Good Through March

# WIRE WRAP CENTER

## HOBBY-WRAP TOOL-BW-630

- Battery Operated (Size C)
- Weights ONLY 11 Ounces
- Wraps 30 AWG Wire onto Standard DIP Sockets (0.25 inch)
- Complete with built-in bit and sleeve

**\$34.95** (batteries not included)

## WIRE-WRAP KIT — WK-2-W

WRAP • STRIP • UNWRAP

- Tool for 30 AWG Wire
- Roll of 500 ft. White 30 AWG Wire
- 50 pcs. each 1", 2", 3" & 4" lengths — pre-stripped white wire

**\$11.95**

## WIRE WRAP TOOL WSU-30

WRAP • STRIP • UNWRAP - \$5.95

## WIRE WRAP WIRE — 30 AWG

25 ft. min. \$1.25 50 ft. \$1.95 100 ft. \$2.95 1000 ft. \$15.00  
SPECIFY COLOR — White - Yellow - Red - Green - Blue - Black

## THUMBWHEEL SWITCHES

THUMBWHEEL SWITCH ONLY  
Part No. Description Price  
SP 12 Single Pole 10 Positions \$2.50  
SP 12 10 Position RCD only 1.95  
SP 21 10 Position RCD only 2.40  
SP 21 21 2.00

Ordering: Order should specify switches and indicate accessories for your particular application.

## Permacel Electrical Tape

1/2 inch x 66 ft (long) • All weather • Not in stock  
**\$1.49 per roll — \$12.50 per 10 roll package**

## ZENERS — DIODES — RECTIFIERS

1N1740	4.0V	400m	4.1V	1N4001	500V	1AMP	10:10
1N751A	5.1V	400m	4.1V	1N4006	600V	1AMP	10:10
1N752	5.6V	400m	4.1V	1N4007	1000V	1AMP	10:10
1N753	6.2V	400m	4.1V	1N4009	50V	200m	6:10
1N754	6.8V	400m	4.1V	1N4184	75V	10m	15:10
1N958	8.2V	400m	4.1V	1N4154	35V	10m	12:10
1N968	15V	400m	4.1V	1N4305			

# Promise: RECEIVE more per antenna with a Sinclair System.



RAD-A-FLECTOR™ fixed station antenna



VIEWCOM™ mirror antenna



EXCALIBUR™



**SINCLAIR**  
RADIO LABORATORIES

**BUFFALO, NEW YORK**

675 ENSMINGER ROAD  
TONAWANDA 14150  
716-874-3682

ONTARIO: TORONTO L4K 1B6, 416-669-1244

BRITISH COLUMBIA: VANCOUVER V5C 4H4, 604-291-7726

QUEBEC: MONTREAL H9P 1G7, 514-636-1979

AFFILIATED COMPANIES IN ENGLAND AND AUSTRALIA

You receive much more with Sinclair's very broad band fixed station antennas, as you've come to expect from their field-proven multicouplers, duplexers, and filters. One antenna can accommodate up to 192 receivers for more communications capability. You receive longer life because Sinclair puts more solid structural components in every antenna. Most important benefit - you receive the most extensive r&d and application engineering to insure maximum communications performance.

**Special Purpose Mobiles** □ Viewcom™ - disguised auto side-view mirror eliminates whip breakage □ Tunable Mirage™ - simulated-telescoping antenna preserves anonymity, discourages theft □ Excaliber™ - rugged, low profile models for trailers, trucks, boats.

Receive more from your antenna system... send today for new All-product Digest. Free.

MOBILE AND BASE DUPLEXERS/Rx AND Tx MULTICOUPLERS/FILTERS/MOBILE AND BASE ANTENNAS/COMMUNICATIONS SHELTERS

## COMPETITIVELY PRICED!

ALL PRODUCTS FULLY ASSEMBLED, TESTED AND WARRANTED. PRICES INCLUDE ALL POSTAGE FEES WITHIN THE USA. FOREIGN ORDERS, ADD \$3.00 TO COVER POSTAGE & HANDLING.

Arizona Residents Add 5% Sales Tax



\$49.95  
EPC-300

### 300 MHz Prescaler

- o Built-In 117 vac 60 HZ power supply
- o Size 3 3/4" w x 2 1/4" h x 4" L
- o BNC input, output connectors
- o Input impedance = 50 ohms
- o Output TTL, Fan out of 1
- o Sensitivity 14 mv @ 150 MHz, 150 mv @ 300 MHz

For Faster Delivery  
Add \$1.00 For Airmail

Send Self-Addressed Stamped  
Envelope For More Information



\$32.95  
EPC-144-B

### 2 Meter FM Transmitter

- o 2 Channels, 144-148 MHz
- o Power Output 2 watts typical, 1 watt min @ 12.5 VDC
- o 50 ohm output impedance
- o Narrow band FM ± 5 KHZ
- o Rugged balanced emitter output transistor
- o Small size 1 7/8" w x 1" h x 3 3/4" L



\$39.95  
LA-144

### 30 Watt 2 Meter Power Amplifier

- o Frequency range 144-148 MHz
- o Maximum RF output power 30 watts
- o Maximum RF input power 5 watts
- o Supply voltage 13.6 VDC
- o Small size 1 7/8" w x 5/8" h x 3 1/2" L
- o Virtually burn-out proof balanced emitter output transistor.
- o Fully compatible with the EPC-144-B
- o 50 ohm input & output impedance
- o Sold as a fully tested & assembled circuit board less case, connectors and heat sink

Input Watts	Output Watts	
	Min.	Typical
1	15	20
2	20	25
4	30	30

Elprocon  
ELECTRONIC PROTOTYPE CONSULTANTS  
1907 W. Campbell / Phoenix, Arizona 85015



Aha, the SECRET of PC Board success finally revealed. A perfectly balanced lighting tool combining magnification with cool fluorescence. Excellent for fine detail, component assembly, etc. Lens is precision ground and polished.

Regularly \$78.00. Now, over 30% discount (only \$54.00) to all licensed Hams, verified in Callbook. Uses T-9 bulb (not supplied).

Include \$3.00 U.S. postage, or \$4.00 in Canada. \$5.00 elsewhere. California Residents include 6% sales tax. Or send stamped envelope for free brochure of other incandescent or fluorescent lamps suitable for all engineers, architects, students, etc.

Mastercharge and BankAmericard accepted

### D-D ENTERPRISES

Dept. A, P. O. Box 7776  
San Francisco, CA 94119



**NEW**

order now  
and save

## FOR AMATEUR USE 50 OHM JACKETED HARDLINE

- very low loss per 100 ft.
- improved receiver sensitivity
  - .45 DB to 50 MHZ
  - .90 DB to 146 MHZ
  - 1.90 DB to 450 MHZ
  - 4.20 DB to 1296 MHZ
- longer life

SALE 45¢ per foot

Call us...

We are ready to serve you...

**WIRE CONCEPTS INC.**

WIRE CONCEPTS INC.



201-227-1751

198 Passaic Ave.,  
Fairfield, N.J. 07006

# A NEW STAR IS BORN! THE RPT 50 SIX METER NBFM REPEATER



## WHY A SIX METER REPEATER?

1. Consistent coverage of over 100 miles is not unusual with use of modern equipment.
2. The variety of propagation affords an opportunity of working lots of DX-Stations from 400-2,000 miles away on multi-hop sporadic E, Auroral propagation of up to 1,000 miles, F<sub>2</sub> Skip during the upcoming peak sunspot cycle of over 2,000 miles. Plus transequatorial propagation is good up to several thousand miles.

THE NEW RPT 50 IS A COMPLETELY SELF-CONTAINED ALL SOLID STATE REPEATER. It is conservatively rated, and built of high quality components. Much care and attention to make this repeater versatile as well as reliable.

To best take advantage of the DX as well as the extended range capabilities we recommend our optional tone squelch board TS1 and TTD1 touch tone decoder.

The Model RPT 50 is supplied as complete repeater system. The receiver, transmitter, control circuitry, C. W. Identifier & 115/230 Volt AC power supply are all contained on a standard relay-rack panel and chassis unit. For most installations a user supplies AC power and suitable antennas with 50 OHM coaxial feed (PL 259 fittings). External connections for autopatch, tone control, etc. are provided. Built-in identifier programmed with up to 159 bits. Automatic emergency battery power changeover capability.

RPT 50 Kit . . . . . \$465.95  
RPT 50 Wired & tested \$695.95

(Export price is slightly higher.)

## AVAILABLE AT THESE DEALERS:

**CALIFORNIA**  
C & A Electronic Enterprises, Carson, CA  
Electronic Enterprises, Rio Linda, CA  
SON Electric, Fresno, CA  
Tele Com Electronics, San Jose, CA  
Westcom, San Marcos, CA  
ZacKit Corporation, Vallejo, CA

**COLORADO**  
Listening Post & Electromagnetics, Durango, CO  
Communication Specialties, Aurora, CO

**FLORIDA**  
Amateur Wholesale Elec's., Miami, FL  
West Indies Sales Co., Ltd., Miami, FL

**ILLINOIS**  
Klaus Radio, Inc., Peoria, IL  
Spectronics, Inc., Oak Park, IL

**INDIANA**  
Communication Systems, Bourbon, IN

**KENTUCKY**  
Cohoon Amateur Supply, Trenton, KY

**LOUISIANA**  
Frank L. Beier Radio, Inc., New Orleans, LA

**MASSACHUSETTS**  
Tufts Radio Electronics, Medford, MA

**MICHIGAN**  
Harry G. Crofts, Northville, MI  
Adams Distributing Co., Detroit, MI  
Radio Supply & Engineering, Detroit, MI

**MISSISSIPPI**  
Communications Services, Philadelphia, MS

**MISSOURI**  
Alpha Electronic Labs, Columbia, MO

**NEVADA**  
Vegas Radio, Las Vegas, NV

**NEW YORK**  
Barry Electronics, New York, NY  
CFP Enterprises, Horseheads, NY  
Delmar Electronics, W. Babylon, L.I., NY  
Loffler Electronics, Ogdensburg, NY  
VHF Communications, Jamestown, NY

**NORTH CAROLINA**  
Vickers Electronics, Durham, NC

**OKLAHOMA**  
Derrick Electronics, Inc., Broken Arrow, OK  
Radio Store, Inc., Oklahoma City, OK

**SOUTH DAKOTA**  
Burghardt Amateur Center, Watertown, SD

**Texas**  
Teco Electronics, Garland, TX

**VIRGINIA**  
Radio Communications Co., Roanoke, VA

**WASHINGTON**  
A B C Communications, Seattle, WA

**WEST VIRGINIA**  
Communication Systems Co., Ripley, WV

**WISCONSIN**  
Amateur Electronic Supply, Milwaukee, WI  
Communications Elec's., Fond du Lac, WI

**WYOMING**  
Rule Communications, Laramie, WY

**CANADA**  
Ayre's Ltd., St. Johns, Nfld. A1B 1W3  
Traeger Distributors Ltd., Canada V7J1K4

**PUERTO RICO**  
Edison Electronics, Inc., Santurce, PR

**EXPORT**  
COSYSCO, Inc., Sodus, NY

In other areas contact VHF Engineering direct. Allow 6 to 8 weeks for delivery.



# Vhf engineering



DIVISION OF BROWNIAN ELECTRONICS CORP.  
320 WATER STREET • BINGHAMTON, N.Y. 13901 • 607-723-9574

## RF TRANSFORMER



- New! Broadband antenna matching.
- For all verticals and mobile whip antennas.
- Smaller size and higher efficiency. Only 3 1/2" diameter for full 5-Kw PEP capability.

Here is the answer to the matching problem for vertical antennas and mobile whips. A broadband transformer that matches your 50 ohm transmitter to 32, 28, 22, 18, 12, 8, or 5 ohms. Plenty of taps to match any vertical or whip.

And with no tuning or other adjustment. The RF Transformer is completely broadband 1-30 MHz (1-10 MHz on three lowest taps). So when you change frequency within a band you need only re-tune the antenna to resonance; not fiddle with a matching network.

Also, more power goes to your antenna. The RF Transformer is more efficient than a matching network or tuner—less than 0.1 db loss.

As always, when you buy Palomar Engineers you get the best: large ferrite toroid core, teflon insulated wire, sealed epoxy-encapsulated weatherproof construction, stainless steel mounting hardware, full 2000 watt CW (5-Kw PEP) capability.

Send for free brochure.

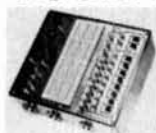
Improve your station. Simplify your tuneup. Get better results with the new Palomar Engineers RF Transformer.

Order direct. \$42.50 postpaid U.S. and Canada. California residents add sales tax.

### PALOMAR ENGINEERS

BOX 455, ESCONDIDO, CA 92025  
Phone: (714) 747-3343

## YOUR BEST BUY IN KITS



**ANALOG-DIGI-LAB**  
Features 3 Regulated power Supplies. 3 Output wave forms. 8 digital level switches. 2 no bounce pulser switches.

8 LEDs with drivers. 1 AP Super strip. Easily constructed. Designed by RETS Electronic Schools.

Now only \$139.00

Clock Kit (complete less case) \$12.95

Clock Cabinet \$6.50

or \$4.50 with purchase of clock kit.

Function Generator Kit \$10.95

Please add \$1.00 Shipping/Handling on any order under \$15.00  
Send SASE for flyer. Featuring Electronic components and kits available.

### HAL-TRONIX

P. O. Box 1101 • Southgate, Mich. 48195 • (313) 285-1782



**FREQUENCY COUNTER**

7 Digit 0-300 MHz Freq. Counter ..... \$99.00

7 Digit 0-500 MHz Freq. Counter ..... \$139.00

8 Digit 0-30 MHz Counter with options \$109.00

0-300 MHz Prescaler for 8 Digit Counter \$19.95

0-300 MHz Prescaler with Preamp ..... \$29.95

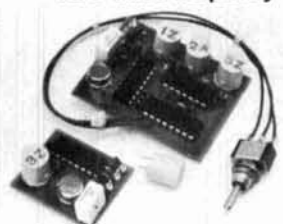
0-600 MHz Prescaler for 8 Digit Counter \$39.95

Cabinet accessory package available for all of the above ..... \$24.95

Anyone of the above kits available pre-assembled for an additional \$50.00. Allow 3-4 weeks on assembled units.

## TransCom PL TONE ENCODERS

TWO MODELS  
TG-1 single frequency  
TG-3 three frequency



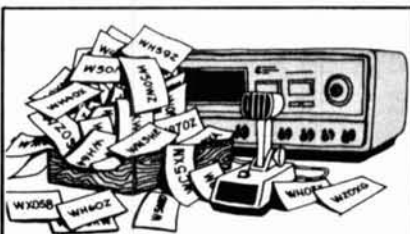
- Plug in type tone elements
- Low distortion sinewave
- Excel. temp. & freq. stability
- Output level control
- Immunity to RF
- All EIA freq. avail. 67.0-203.5 Hz
- 9-16V, reverse polarity protection incl.

Wired & tested with frequency element. TG-3 has 3 elements with frequency selection switch.

TG-1 \$24.95 TG-3 \$56.95

Il. residents add 5% sales tax.

—TransCom P. O. BOX 120, ADDISON, IL 60101



## Where are your QSL cards?

Keep your QSL cards organized and easily accessible. Display them in 3 pocket, crystal clear, vinyl pages. NuAce QSL binders with 23 rings are vinyl covered in blue, black, ginger or red.

Only \$6.95

for 10 page binder that holds 60 cards.

Send check or M. O. for immediate delivery or write for information. Add \$1.00 for postage & handling. Satisfaction Guaranteed. Return within 10 days for full refund.



**NUACE**  
ACE ART COMPANY

Ace Art Company, Inc., Dept. HR  
24 Gould St., Reading, MA 01867

## Binaural Synthesizers ± Tone-Tag

Brochures

Hildreth Engineering

P. O. BOX 60003, SUNNYVALE, CA 94088

## FREE CATALOG

**HARD-TO-FIND PRECISION TOOLS**

Lists more than 2800 items—pliers, tweezers, wire strippers, vacuum systems, relay tools, optical equipment, tool kits and cases. Also includes ten pages of useful "Tool Tips" to aid in tool selection.

JENSEN TOOLS AND ALLOYS  
4117 N. 44th Street, Phoenix, Ariz. 85018



## WANTED: TUBES

MACHLETT #ML893AR

Cash or trade for New Amateur Equipment

**BARRY ELECTRONICS**

512 BROADWAY, N. Y., N. Y. 10012

212-925-7000



**2 METER HAM BAND CRYSTALS**

**3.99** Postpaid NO COD's

**LOS ANGELES CRYSTAL**

P. O. BOX 1022

SANTA MONICA, CAL. 90406

Include brand, model# & calibration data if avail.

# BARRY 2700

presents the



## A brilliant new 2 meter transceiver with every in-demand operating feature and convenience

- ★ Synthesizer and VFO.
- ★ All modes: NBFM, WBFM, AM, SSB w/ USB/LSB and CW.
  - Frequency synthesizer (PLL) 3 Knob, 600 channels. 10kHz steps.
  - VXO, plus or minus 7kHz.
- ★ LED readout on synthesizer.
  - Standard 600 kHz splits plus...
  - Two "oddball" splits.
- ★ OSCAR transceive 2 to 10 meter operation.
  - OSCAR receiver built-in.
  - Connectors on rear for separate 2 meter and 10 meter antennas.
- Built-in VFO (continuous coverage, 144-148MHz in 1.3MHz segments. 1kHz readout).
- 8 pole SSB filter plus two FM filters.
- 100kHz crystal calibrator.
- Voice operated relay (VOX) or p-t-t.
- ★ Audio speech compression.
  - Noise blanker.
  - RIT, plus or minus 5kHz.
  - Power out/"S" meter.
  - FM center deviation meter.
  - 10W minimum output power. NO TUNING!
- Hi-Lo power provision.
- Built-in AC/DC power supply.
- Double conversion receiver. 16.9MHz and 455kHz I-F's.
- Receiver sensitivity:
  - FM: 0.5 $\mu$ V for 28db S/N.
  - SSB/CW: 0.25 $\mu$ V for 14db S/N.
  - AM: 2 $\mu$ V for 10db S/N.
- 50MHz or 432MHz converters will be available. Interior space and terminals are provided.
- Size: Inches: 5H, 14.88W, 12D. MM: 128H, 378W, 305D
- Weight: 28 lbs. (13KG).

### AVAILABLE AT BARRY ELECTRONICS CORPORATION

THE NAME THAT'S KNOWN AROUND THE WORLD

COMPLETE YAESU, KLM, KENWOOD, DRAKE, ICOM,  
TEMPO, SHURE, TURNER ASTATIC, HYGAIN, LARSEN, KDK, ETC. IN STOCK  
TOP TRADES GIVEN ON YOUR USED EQUIPMENT  
BARRY ELECTRONICS CORPORATION  
512 BROADWAY, NEW YORK CITY, NEW YORK 10012  
BARRY INTERNATIONAL TELEX 12-7670  
NOW OPEN SUNDAYS 12 TO 5

TOP TRADES GIVEN  
ON USED COLLINS GEAR -  
BRING IT IN!

CALL US AT  
212-925-7000

# Advertisers check-off

... for literature, in a hurry — we'll rush your name to the companies whose names you "check-off"

Place your check mark in the space between name and number. Ex: Ham Radio  234

## INDEX

Ace Art	416	Int'l Xtal	066
Adva	265	I. C. S.	553
Aldelco	347	Jan	067
Amidon	005	James	333
Antenna Spec.	010	Jensen	293
Apron	380	KLM	073
Atlas	198	K-Enterprises	071
Atronics	382	Kenwood *	
BBC	529	Kester *	
Barry *		Larsen	078
Budwig	233	Long's	468
Bullet	328	L. A. Crystal	554
CFP	022	Lyle	373
Cal-Com	282	MFJ	082
Chaney's	488	MHz	415
Cleng	465	Madison *	
Comm. Elect.	489	Masters	555
Comm. Spec.	330	New-Tronics	171
Crescomm	490	Nexus	454
Curtis	034	Northshore	296
Cushcraft	035	NorthData	455
D-D	269	Optoelectronics	352
Dames Comm.	551	Palomar	093
Dames	324	Partridge	439
Data Signal	270	Pipo	481
Davis	332	Poly Paks	096
Dayton Hamvention *		Porta Pak	274
Dentron	253	Callbook	100
Direct Conv. Tech. *		Ramsey	442
Disc-Cap	449	Regency	102
Drake	039	Savoy	105
E. T. O. *		Scott	519
Elect. Dist.	044	Semiconductor	
Electrospace	407	Surplus	512
ELPROCON	301	Sinclair	556
Erickson	047	Space Elect.	107
Epsilon	046	Spectronics	191
Excel Circuits	535	Spectrum	
Fair	048	Comm.	366
Gem Quad	295	Spectrum Int.	108
Genave	168	Standard	109
Gilfer	207	Swan	111
Glade Valley	213	Tec Kan	507
Gray	055	Tele. Equip.	496
Great Lakes Hamfest *		Telrex	377
Gregory	201	Ten-Tec *	
Hal	057	Trans Com	552
Hal-Tronix	254	Tri-Ex	116
HamLine	466	Tufts	321
Ham Center	491	VHF	
Hamtronics	246	Engineering	121
HORIZONS	150	Vanguard *	
Heath	060	Varian	043
Heights	061	Webster Comm.	423
Henry	062	Webster Radio	255
Hildreth	283	Weinschenker	122
Hy-Gain	064	Whitehouse	378
Icom	065	Wilson	123
Info-Tech	351	Wire Concepts	476
Int. Circuits	518	Yaesu	127

\*Please contact this advertiser directly.

Limit 15 inquiries per request.

March 1977

Please use before April 30, 1977

Tear off and mail to

HAM RADIO MAGAZINE — "check off"  
Greenville, N. H. 03048

NAME.....

CALL.....

STREET.....

CITY.....

STATE..... ZIP.....



There's  
nothing  
like it !

## RADIO AMATEUR callbook

Respected worldwide as  
the only complete authority  
for radio amateur  
QSL and QTH information.

The U. S. Callbook has nearly 300,000 W & K listings. It lists calls, license classes, names and addresses plus the many valuable back-up charts and references you come to expect from the Callbook.

Specialize in DX? Then you're looking for the Foreign Callbook with almost 235,000 calls, names and addresses of amateurs outside of the USA.

U.S. Callbook \$14.95

Foreign Callbook \$13.95

Order from your favorite electronics dealer or direct from the publisher. All direct orders add \$1.25 for shipping. Illinois residents add 5% Sales Tax.

RADIO AMATEUR  
**callbook** INC.  
Dept. E 925 Sherwood Drive  
Lake Bluff, Ill. 60044

# Advertisers index

Ace Art Co.	124
Adva Electronics	90
Aldelco	106
Amidon Associates	120
Antenna Specialists Co.	95
Apron	112
Atlas Radio	77
Atronics	108
BBC Electronics	110
Barry	124, 125
Budwig Mfg. Co.	108
Bullet	92
CFP Communications	120
Cal-Com Systems, Inc.	108
Chaney's Electronics	102
Cleng Electronics	112
Communications Electronics	84
Communications Specialists	96, 113
Crescomm, Inc.	82
Curtis Electro Devices	118
Cushcraft	7
D-D Enterprises	122
Dames Communications Systems	118
Dames, Ted	104
Data Signal, Inc.	101
Davis Electronics	92
Dayton Hamvention	84
Dentron Radio Co.	57
Direct Conversion Technique	108
Disc-Cap	104
Drake Co., R. L.	83
Ehrhorn Technological Operations, Inc.	1
Electronic Distributors	114
Electrospace	90
ELPROCON	122
Erickson Communications	102
Epsilon Records	104
Excel Circuits	114
Fair Radio Sales	110
Gem Quad	92
General Aviation	107
Gilfer Associates	96
Glade Valley Radio Sessions	110
Gray Electronics	106
Great Lakes Hamfest	95
Gregory Electronics	72
Hal Communications Corp.	2
Hal-Tronix	124
HamLine Electronics	120
Ham Radio Center	97
Hamtronics Inc.	8
Ham Radio HORIZONS	43
Heath Company	25
Heights Mfg. Co.	118
Henry Radio Stores	Cover II
Hildreth Engineering	124
Hy-Gain Electronics Corp.	71
Icom	5
Info-Tech	93
Integrated Circuits Unlimited	115
International Crystal	81
International Communications Systems, Inc.	94
Jan Crystals	110
James Electronics	121
Jensen Tools & Alloys	124
KLM Electronics Inc.	109
K-Enterprises	72
Kenwood Communications, Inc.	9, 64, 65
Kester Solder	94
Larsen Antennas	87
Long's Electronics	128
Los Angeles Crystal	124
Lyle Products	120
MFJ Enterprises	127
MHz Electronics	119
Madison Electronics Supply	98
Masters Communications	90
New-Tronics Corporation	76
Nexus Trading Company	51
Northshore RF Technology	106
NuData Electronics	120
Optoelectronics	99
Palomar Engineers	118, 120, 124
Partridge (HR) Electronics	120
Pipo Communications	114
Poly Paks	50
Porta Pak	51
Radio Amateur Callbook	95, 126
Ramsey Electronics	111
Regency Electronics	88
Savoy Electronics	37
Scott Communications	98
Semiconductor Surplus	112
Sinclair Radio Laboratories	122
Space Electronics	120
Spectronics	103
Spectrum Communications	69
Spectrum International	98
Standard Communications	114
Swan Electronics	52, 53, 73
Tec Kan, Inc.	108
Telephone Equipment Co.	108
Telrex Labs	96
Ten-Tec	85
Trans Com	124
Tri-Ex Tower Corp.	89
Tufts Radio Electronics	105
VHF Engineering, Div. of Brownian	123
Vanguard Labs	114, 118
Varian, Eimac Division	Cover IV
Webster Communications	94
Webster Radio	112
Weinschenker	104
G. R. Whitehouse & Co.	102
Wilson Electronics	38, 39, 91
Wire Concepts, Inc.	122
Yaesu Electronics Corp.	Cover III



# Call toll-free 800-647-8660 for products by MFJ ENTERPRISES

## 400% MORE RF POWER PLUGS BETWEEN YOUR MICROPHONE AND TRANSMITTER



\$ 49<sup>95</sup>



\$ 59<sup>95</sup>

## SUPER LOGARITHMIC SPEECH PROCESSOR

Up To 400% More RF Power is yours with this plug-in unit. Simply plug the MFJ Super Logarithmic Speech Processor between your microphone and transmitter and your voice is suddenly transformed from a whisper to a Dynamic Output.

Your signal is full of punch with power to slice through QRM and you go from barely readable to "solid copy OM".

LSP-520BX. 30 db dynamic range IC log amp and 3 active filters give clean audio. RF protected. 9 V battery. 3 conductor, 1/4" phone jacks for input and output. 2-3/16 x 3-1/4 x 4 inches.

LSP-520BX II. Same as LSP-520BX but in a beautiful 2-1/8 x 3-5/8 x 5-9/16 inch Ten-Tec enclosure with uncommitted 4 pin Mic jack, output cable, rotary function switch.



\$ 27<sup>95</sup>

### CWF-2BX Super CW Filter

By far the leader. Over 5000 in use. Razor sharp selectivity. 80 Hz bandwidth, extremely steep skirts. No ringing. Plugs between receiver and phones or connect between audio stage for speaker operation.

- Selectable BW: 80, 110, 180 Hz • 60 dB down one octave from center freq. of 750 Hz for 80 Hz BW
- Reduces noise 15 dB • 9 V battery
- 2-3/16 x 3-1/4 x 4 in. • CWF-2PC, wired PC board, \$18.95 • CWF-2PCK, kit PC board \$15.95



\$ 49<sup>95</sup>

### CMOS-8043 Electronic Keyer

State of the art design uses CURTIS-8043 Keyer-on-a-chip.

- Built-in Key • Dot memory • Iambic operation with external squeeze key • 8 to 50 WPM
- Sidetone and speaker • Speed, volume, tone, weight controls • Ultra reliable solid state keying +300 volts max.
- 4 position switch for TUNE, OFF, ON, SIDETONE OFF
- Uses 4 penlight cells • 2-3/16 x 3-1/4 x 4 inches



\$ 39<sup>95</sup>

NEW

### MFJ-16010 Antenna Tuner

Now you can operate all band — 160 thru 10 Meters — with a single random wire and run your full transmitter power output — up to 200 watts RF power OUTPUT.

- Small enough to carry in your hip pocket, 2-3/16 x 3-1/4 x 4 inches • Matches low and high impedances by interchanging input and output
- SO-239 coaxial connectors • Unique wide range, high performance, 12 position tapped inductor. Uses two stacked toroid cores



\$ 29<sup>95</sup>

### SBF-2BX SSB Filter

Dramatically improves readability.

- Optimizes your audio to reduce sideband splatter, remove low and high pitched QRM, hiss, static crashes, background noise, 60 and 120 Hz hum
- Reduces fatigue during contest, DX, and ragchewing
- Plugs between phones and receiver or connect between audio stage for speaker operation
- Selectable bandwidth IC active audio filter • Uses 9 volt battery • 2-3/16 x 3-1/4 x 4 inches



\$ 27<sup>95</sup>

### MFJ-200BX Frequency Standard

Provides strong, precise markers every 100, 50, or 25 KHz well into VHF region.

- Exclusive circuitry suppresses all unwanted markers
- Markers are gated for positive identification. CMOS IC's with transistor output.
- No direct connection necessary
- Uses 9 volt battery
- Adjustable trimmer for zero beating to WWV
- Switch selects 100, 50, 25 KHz or OFF
- 2-3/16 x 3-1/4 x 4 inches



\$ 49<sup>95</sup>

### MFJ-1030BX Receiver Preselector

Clearly copy weak unreadable signals (increases signal 3 to 5 "S" units).

- More than 20 dB low noise gain
- Separate input and output tuning controls give maximum gain and RF selectivity to significantly reject out-of-band signals and reduce image responses
- Dual gate MOS FET for low noise, strong signal handling abilities
- Completely stable
- Optimized for 10 thru 30 MHz
- 9 V battery
- 2-1/8 x 3-5/8 x 5-9/16 inches



\$ 27<sup>95</sup>

### MFJ-40T QRP Transmitter

Work the world with 5 watts on 40 Meter CW.

- No tuning • Matches 50 ohm load • Clean output with low harmonic content
- Power amplifier transistor protected against burnout
- Switch selects 3 crystals or VFO input • 12 VDC
- 2-3/16 x 3-1/4 x 4 inches

MFJ-40V, Companion VFO ..... \$27.95

MFJ-12DC, IC Regulated Power Supply, 1 amp, 12 VDC ..... \$27.95



\$ 15<sup>95</sup>

NEW

### CPO-555 Code Oscillator

For the Newcomer to learn the Morse code.

For the Old Timer to polish his fist.

For the Code Instructor to teach his classes.

- Send crisp clear code with plenty of volume for classroom use
- Self contained speaker, volume, tone controls, aluminum cabinet
- 9 V battery
- Top quality U.S. construction
- Uses 555 IC timer
- 2-3/16 x 3-1/4 x 4 inches

TK-555, Optional Telegraph Key ..... \$1.95

### OUR OFFER TO YOU

Dear Fellow Ham,

Try any MFJ products and if you are not completely satisfied, return it within 30 days for a full prompt refund (less shipping). Call us today toll free 800-647-8660 and charge your BankAmericard or Master Charge, or mail your order in today with your check or money order (or use your BAC or MC). Please add \$2.00 for shipping and handling.

73, Martin F. Jue, K5FLU

ORDER TODAY. MONEY BACK IF NOT DELIGHTED. ONE YEAR UNCONDITIONAL GUARANTEE.

Order By Mail or Call TOLL FREE 800-647-8660 and Charge It On



# MFJ ENTERPRISES

P. O. BOX 494  
MISSISSIPPI STATE, MISSISSIPPI 39762

# You buy the radio. We'll supply the accessories free!



## ICOM IC-245 2-meter mobile FM transceiver

Long's brings the VFO revolution to you with the IC-245 144 to 148 MHz FM transceiver. The IC-245 features: Accurate tuning over 50 detent steps, Digital display in 5kHz steps, Modes: FM, SSB (with adapter only), CW, Carrier suppression 40 dB or better, TX output: FM 10 watts, Max. freq. deviation: plus or minus 5 kHz, Mike impedance: 600 ohms.

Item Number 5031-109 ..... List Price, **499.95**



## HYGAIN 28 2-meter beam

The Model 8 is an 8-element, 2m beam. Features: Unidirectional pattern, special beta match config., permits max. gain & f/b ratio, heavy aluminum boom, 1/4" element rods for max. efficiency in the 2m range.

Item Number 8338-109

List Price **37.95**



## NPC 103R power supply

4 amp regulated power supply; converts 115 volts AC to 13.6 volts DC, plus or minus 200 millivolts. 2.5 amps continuous, 4 amps max. Ideal for the IC-245 transceiver.

Item Number 10602-109

List Price **39.95**

Total list for  
all 3 is: **577.85**  
SAVE: **77.90!**

# 499.95



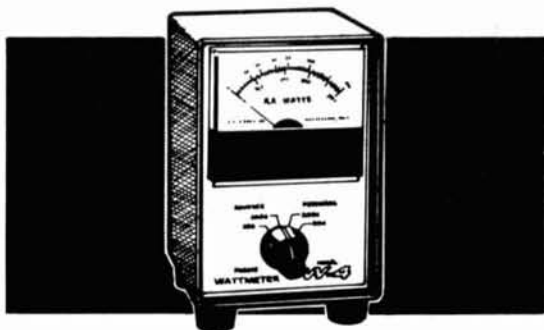
## ICOM IC-211 2m FM transceiver

The new IC-211 from Long's is the last word in digital, 2m, all mode transceivers. Fully synthesized in 100 Hz or 5 kHz steps, has dual tracking, optically coupled VFO's show in 7 digit LED readouts. One knob controls all frequencies. Modes: FM, USB, LSB and CW. Internal 117VAC or 13.8VDC power supply.

Item Number 5030-109 ..... List Price **749.95**

Total list for  
both is: **833.95.**  
You SAVE: **84.00!**

# 749.95



## DRAKE WV-4 watt meter

The WV-4 allows you to monitor forward or reflected power for fast, accurate tune up and to continuously check transmitter antenna performance. Freq. coverage: 20 to 200 MHz, Line impedance: 50 ohm resistive, Power capability: 1000 watts continuous duty.

Item Number 3530-109 ..... List Price **84.00**

Remember, you can call TOLL-FREE:  
**1-800-633-3410** for  
Long's Electronics price on any ham item.



# Long's Electronics

3521 10TH AVENUE NORTH, BIRMINGHAM, ALABAMA 35234



YEARS AHEAD



WITH YAESU

# THE "WOW" DESIGN!

## YAESU'S NEW FT221 — ENTIRE 2 MTR BAND!

FM - AM - USB - LSB - CW

PHASE LOCK LOOP!

# AND WOW! ONLY \$595.

Price and Specifications subject to change without notice.

**No crystals needed!**

**Broadbanded—no transmitter tuning!**

**20 watts input — FM and CW!**

**Phase lock loop circuit!**

**Full band coverage —  
144-148 MHz!**

**Pulse noise blanker!**

**3-way metering, discriminator  
zero center!**

**1 kHz dial accuracy!**

**AC-DC power supplies  
built-in!**

**Repeater offset — up, down,  
(standard or special)!**

**Crystal calibrator!**

**FM - AM - USB - LSB - CW!**

**Clarifier offset tuning!**

**No-mar feet!**

**Auto-patch input!**

**0.5 microvolt receiver  
sensitivity!**



**24 watts SSB PEP input!**

**PTT or VOX operation!**

**Mike, plugs, connectors  
supplied!**

**Plug-in computer quality  
circuit boards!**

See your Yaesu Dealer or write:

YAESU ELECTRONICS CORPORATION  
15954 Downey Ave., P.O. Box 498  
Paramount, CA 90723 • (213) 633-4007  
YAESU ELECTRONICS CORPORATION  
Eastern Service Center, 613 Redna Terrace  
Cincinnati, Ohio 45215 • (513) 772-1500



# YAESU

*The radio.*



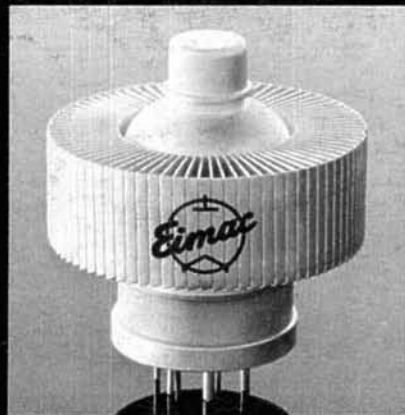
# EIMAC.

# Meteor-burst leadership for over 30 years.

- 1946 EIMAC was there when radio amateurs first studied and utilized vhf meteor-reflected propagation. EIMAC 35Ts and 100THs did the job.
- 1947-1975 EIMAC was there when radio amateur and military circuits used meteor propagation for reliable communication. EIMAC 4CX250Bs and 4CX1000As did the job.
- 1977 EIMAC is at hand as Western Union International establishes world's first data acquisition system based upon meteor-burst technology. EIMAC 8877s are doing the job.

Again, a unique radio amateur study and investigation leads to improved communication techniques. EIMAC is proud to have taken part in these experiments.

For complete information on EIMAC products or the 8877, send your QSL card to Varian, EIMAC Division, 301 Industrial Way, San Carlos, California 94070. Telephone (415) 592-1221. Or contact any of the more than 30 Varian Electron Device Group Sales Offices throughout the world.



# FREE! HEATHKIT CATALOG



The world's largest catalog of superb electronic products in easy-to-build kit form.

**FILL IN  
COUPON AND  
MAIL TODAY**

**Yes! Please rush me my personal copy of the NEW Heathkit Catalog**

I am not on your mailing list. Dept. 122-27

Name \_\_\_\_\_

Address \_\_\_\_\_

City \_\_\_\_\_

State \_\_\_\_\_ Zip \_\_\_\_\_

**Please send a catalog to my friend**

Dept. 122-273

Name \_\_\_\_\_

Address \_\_\_\_\_

City \_\_\_\_\_

State \_\_\_\_\_ Zip \_\_\_\_\_

Ham Radio

PC-120

*send for yours now*

YOU CAN BUILD any of our many quality electronic products that are both practical and fun.

See what a wide selection you have to choose from.

**FREE!** mail coupon now.

# HEATHKIT

Catalog of nearly 400 electronic kits

## **FREE!**

Complete descriptions of our extensive line of electronic kits. Everything from a touch-control lamp switch to a "computerized" color TV system. Kits for your home and auto — all easy to build with our famous step-by-step assembly manuals.



**← send for it NOW!**

**PUT STAMP  
HERE**

The Post Office  
will not deliver  
mail without postage

# HEATH COMPANY

BENTON HARBOR MI 49022

Start  
today

Expand

YOUR RADIO  
HORIZONS

today

with  
HAM RADIO  
HORIZONS



- Your introduction to the FUN, and EXCITEMENT of Amateur Radio.
- Specifically written to assist the Beginner and Novice reader.
- For everyone from non-amateur to experienced old timers.
- Edited by the most experienced and capable team of Amateurs in the field, experts who put their know-how into simple, easy to understand terms.
- Don't miss a single issue . . . Subscribe today.

## You asked for it!

Everyone's been asking for a FUN Amateur Radio Magazine. One for beginners and old timers alike. Good reading for the experienced, a vital helping hand for the newcomer.

How do I get started? How do I get *and upgrade* my license? How can I work DX? What are contests all about? Help me to build simple projects. It's all there and much, much more . . .

**HAM RADIO  
HORIZONS**



***YES! I want to expand my Radio Horizons . . .***

Sign me up at your special introductory rate of just \$8.00. (Regularly \$10.00 a year/\$12.00 on Newstands.)

**HAM RADIO  
HORIZONS**

Name \_\_\_\_\_

Call \_\_\_\_\_

Address \_\_\_\_\_

City \_\_\_\_\_

State \_\_\_\_\_ Zip \_\_\_\_\_

Check or Money Order enclosed

Bill me later

Charge my Mastercharge

Bank No. \_\_\_\_\_

Account No. \_\_\_\_\_

Expiration Date \_\_\_\_\_

Charge my BankAmericard

Account No. \_\_\_\_\_

Expiration Date \_\_\_\_\_

**BUSINESS REPLY MAIL**

FIRST CLASS  
PERMIT No. 1  
GREENVILLE, N.H.  
03048

No Postage Necessary If Mailed In The United States

POSTAGE WILL BE PAID BY:

**HAM RADIO  
HORIZONS**

GREENVILLE, NEW HAMPSHIRE 03048

